

# KENSINGTON 36" LEFT OFFSET CABINET

# ARIEL

D037S-L



## BASE CABINET DIMENSIONS

36" W x 21.5" D x 34.5" H

## FEATURES

- Solid wood frame & plywood panels
- Dovetail drawers and joints
- Soft closing doors & drawers

## HARDWARE FINISHES



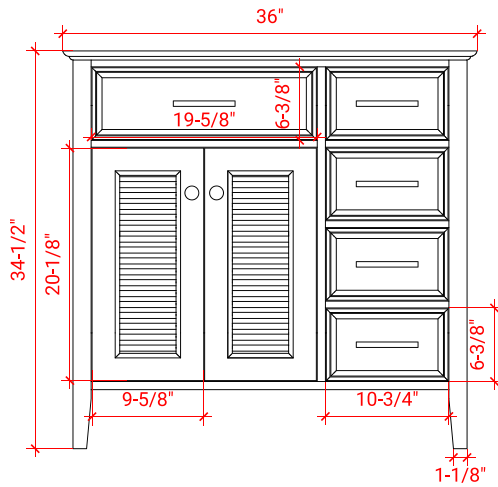
Brushed Nickel    Satin Brass    Matte Black    Polished Chrome

## AVAILABLE COLORS

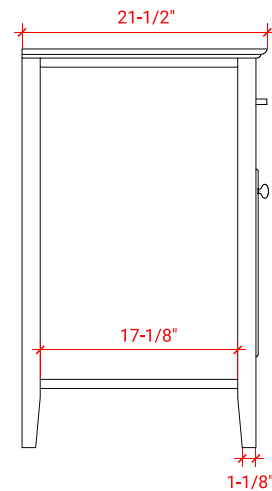


White    Grey    Midnight Blue    Espresso

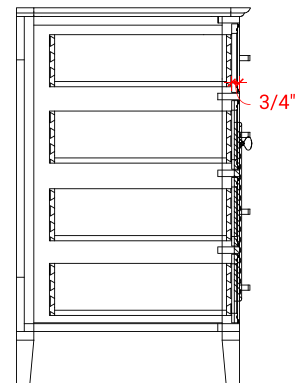
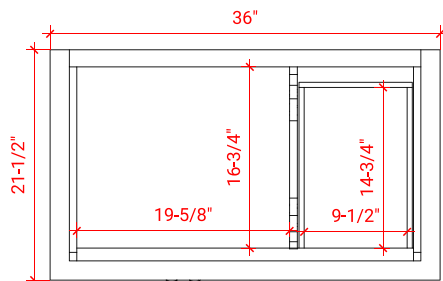
## FRONT VIEW



## SIDE VIEW



## PLAN VIEW



# 37" LEFT RECTANGLE SINK COUNTERTOP WITH 0.75 IN. THICKNESS

# ARIEL

## OVERALL DIMENSIONS

37" W x 22" D x 0.75" H

## COUNTERTOP OPTIONS



Carrara Marble  
CW2-0375-L-REC-CT

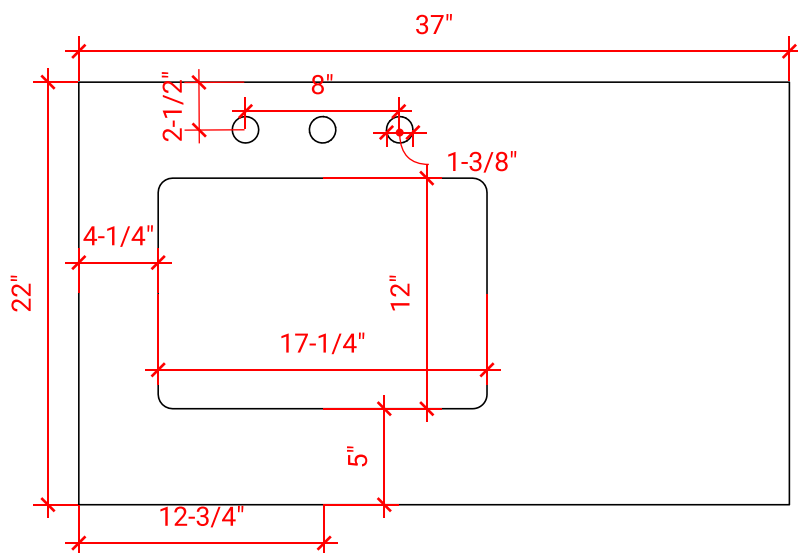
## FEATURES

- Solid countertop with mitered edges & seams
- Undermount white rectangular sink
- Pre-drilled for 8" widespread faucet

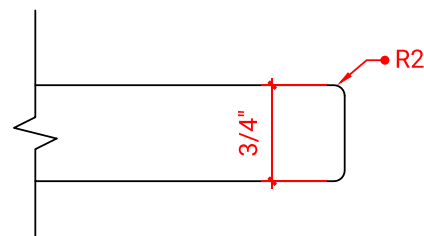
## INCLUDED

- Countertop
- Matching Backsplash
- Rectangle Sink

## COUNTERTOP PLAN VIEW



## EDGE SIDE VIEW



## THREE DIMENSIONAL COUNTERTOP VIEW

