

# TAYLOR 42" RIGHT OFFSET CABINET

Q042S-R



## BASE CABINET DIMENSIONS

42" W x 21.75" D x 34.5" H

## FEATURES

- Solid wood frame & plywood panels
- Dovetail drawers and joints
- Soft closing doors & drawers

## HARDWARE FINISHES



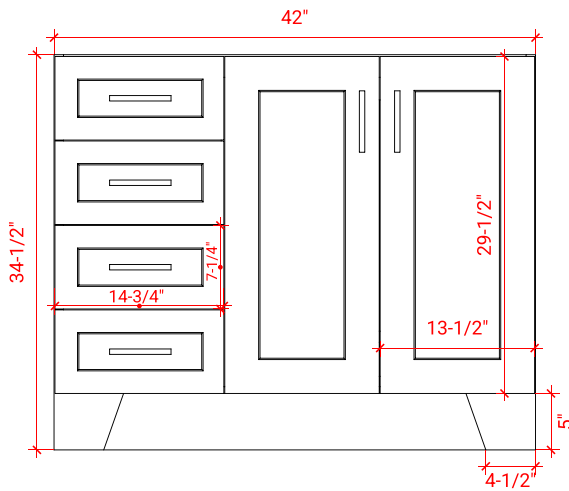
Brushed Nickel    Satin Brass    Matte Black    Polished Chrome

## AVAILABLE COLORS

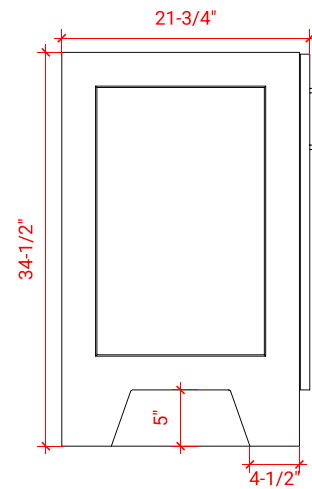


White    Grey    Midnight Blue

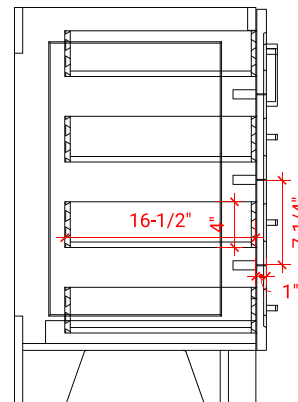
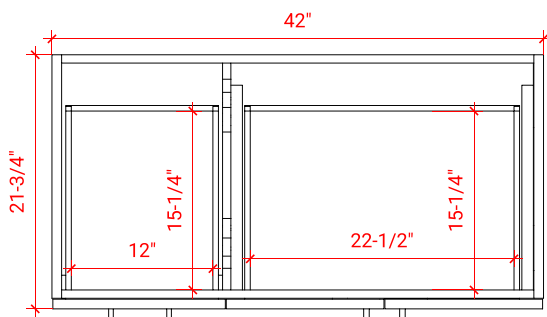
FRONT VIEW



SIDE VIEW



PLAN VIEW



# 43" RIGHT RECTANGLE SINK COUNTERTOP WITH 0.75 IN. THICKNESS

# ARIEL

## OVERALL DIMENSIONS

43" W x 22" D x 0.75" H

## COUNTERTOP OPTIONS



Carrara Marble  
CW2-043S-R-REC-CT

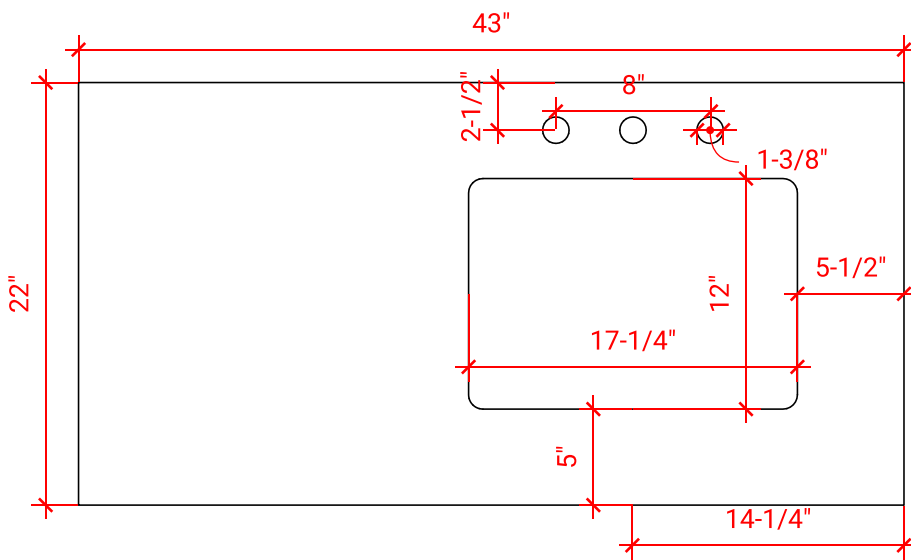
## FEATURES

- Solid countertop with mitered edges & seams
- Undermount white rectangular sink
- Pre-drilled for 8" widespread faucet

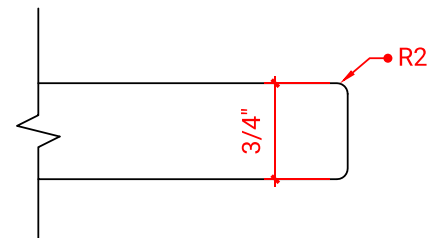
## INCLUDED

- Countertop
- Matching Backsplash
- Rectangle Sink

### COUNTERTOP PLAN VIEW



### EDGE SIDE VIEW



### THREE DIMENSIONAL COUNTERTOP VIEW

