

# TAYLOR 42" LEFT OFFSET CABINET

# ARIEL

Q042S-L



## BASE CABINET DIMENSIONS

42" W x 21.75" D x 34.5" H

## FEATURES

- Solid wood frame & plywood panels
- Dovetail drawers and joints
- Soft closing doors & drawers

## HARDWARE FINISHES



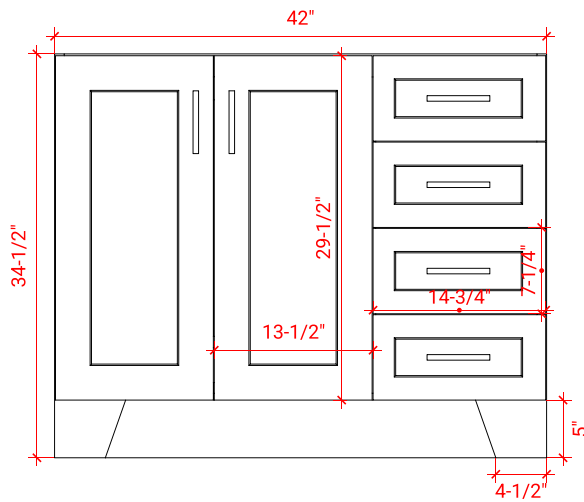
Brushed Nickel   Satin Brass   Matte Black   Polished Chrome

## AVAILABLE COLORS

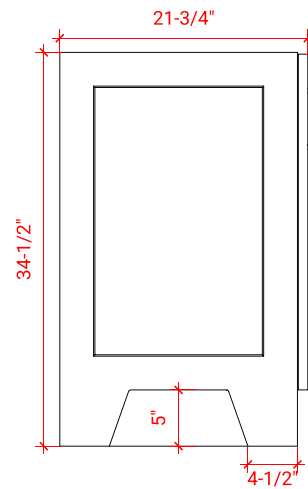


White   Grey   Midnight Blue

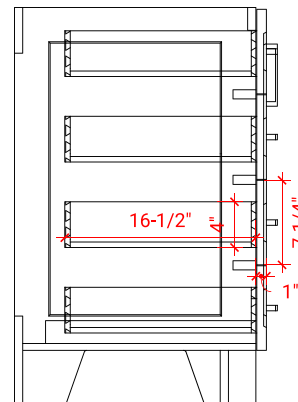
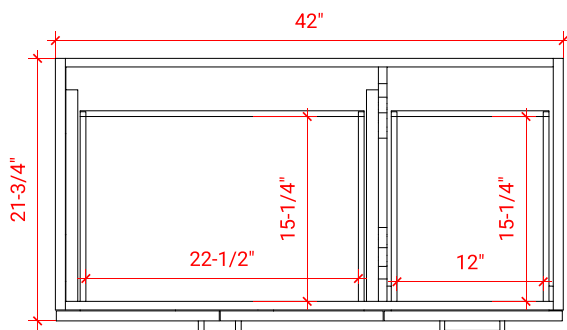
FRONT VIEW



SIDE VIEW



PLAN VIEW



OVERALL DIMENSIONS

43" W x 22" D x 0.75" H

COUNTERTOP OPTIONS



Carrara Marble  
CW2-043S-L-OVL-CT

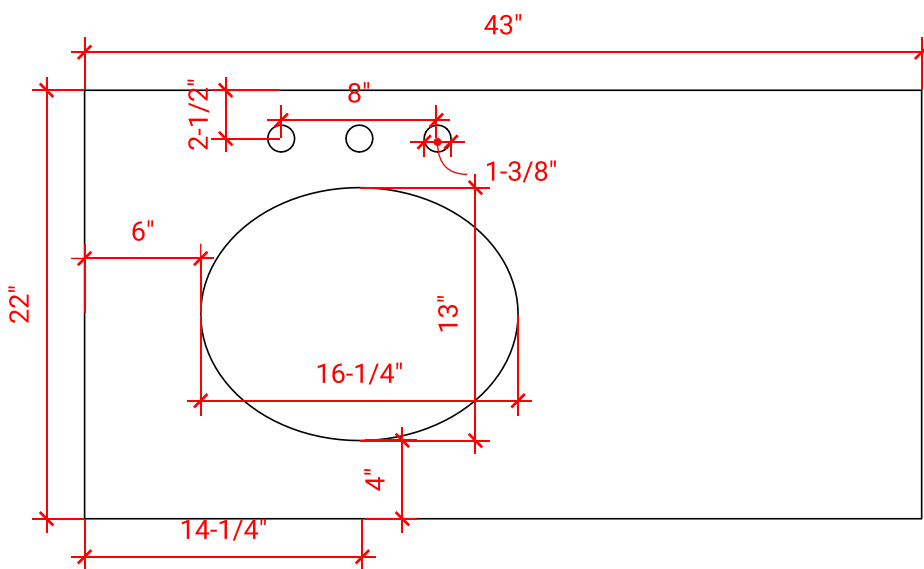
FEATURES

- Solid countertop with mitered edges & seams
- Undermount white oval sink
- Pre-drilled for 8" widespread faucet

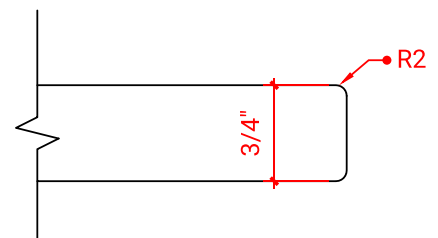
INCLUDED

- Countertop
- Matching Backsplash
- Oval Sink

COUNTERTOP PLAN VIEW



EDGE SIDE VIEW



THREE DIMENSIONAL COUNTERTOP VIEW

