

K121



DIMENSION

- Diameter: 1.13"
- Base Diameter: 0.7"
- Projection: 0.88"

HARDWARE FINISHES



Brushed Nickel



Polished Chrome

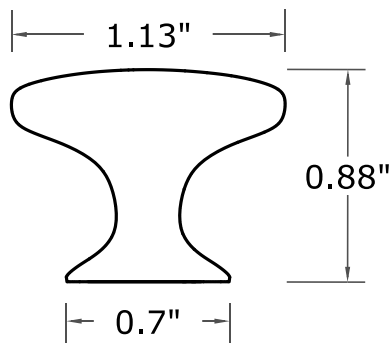


Satin Brass



Matte Black

FRONT VIEW



TOP VIEW

