

HUTTON 72" DOUBLE SINK BASE CABINET

ARIEL

W072D



BASE CABINET DIMENSIONS

72" W x 21.75" D x 18" H

FEATURES

- Solid wood frame & plywood panels
- Dovetail drawers and joints
- Soft closing doors & drawers

HARDWARE FINISHES



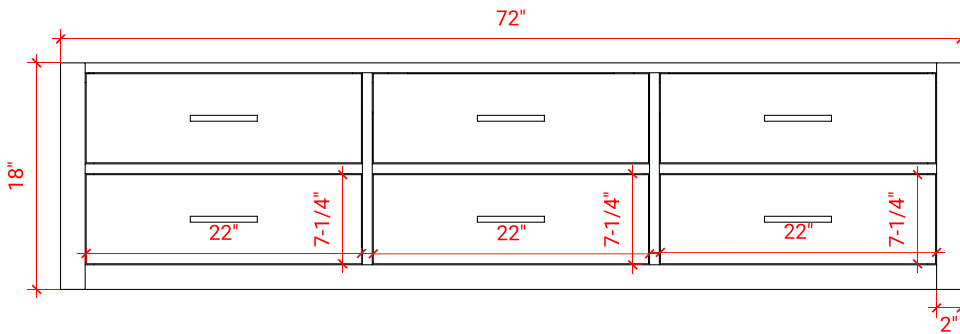
Brushed Nickel Satin Brass Matte Black Polished Chrome

AVAILABLE COLORS

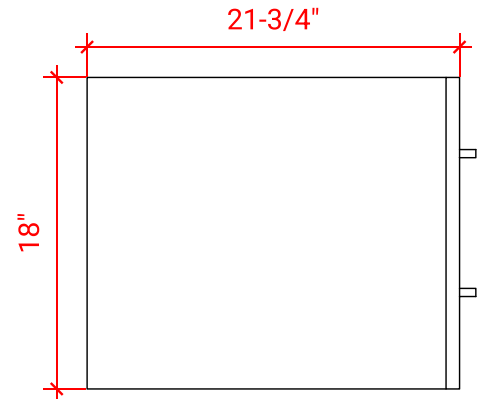


White Grey Midnight Blue

FRONT VIEW



SIDE VIEW



PLAN VIEW

