

MAGNOLIA 72" DOUBLE SINK BASE CABINET

ARIEL

S072D

BASE CABINET DIMENSIONS

72" W x 21.5" D x 34.5" H

FEATURES

- Solid wood frame & plywood panels
- Dovetail drawers and joints
- Soft closing doors & drawers

HARDWARE FINISHES



Brushed Nickel Satin Brass Matte Black Polished Chrome

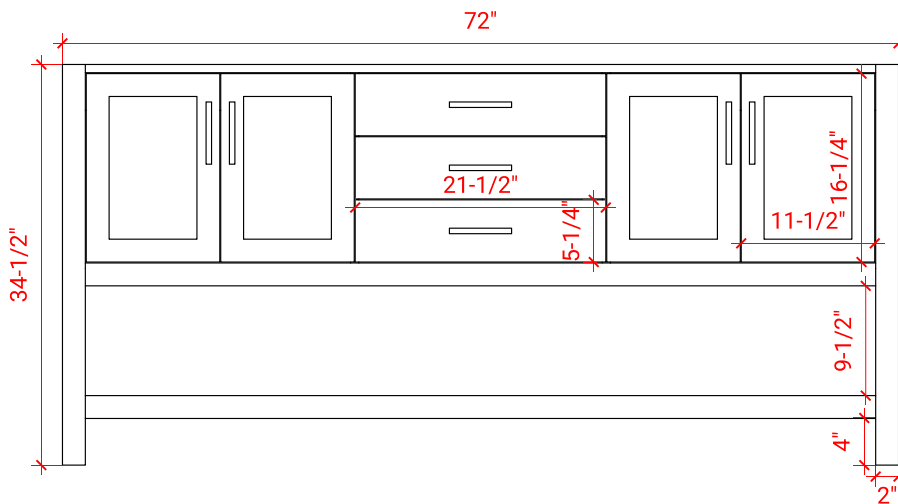
AVAILABLE COLORS



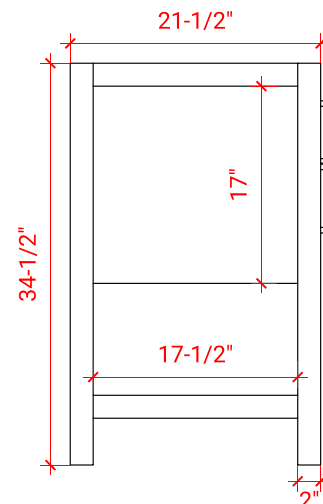
White Grey Midnight Blue



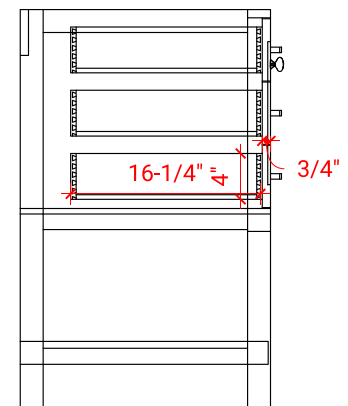
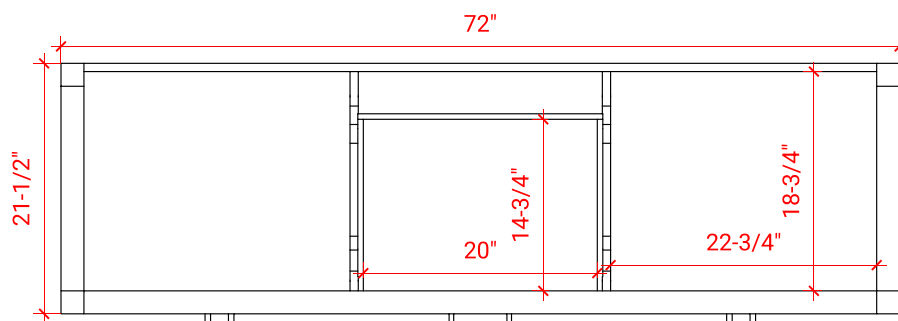
FRONT VIEW



SIDE VIEW



PLAN VIEW



73" DOUBLE RECTANGLE SINK COUNTERTOP WITH 1.5 IN. THICKNESS

ARIEL

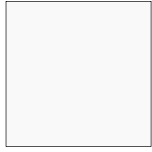
OVERALL DIMENSIONS

73" W x 22" D x 1.5" H

COUNTERTOP OPTIONS



Carrara Marble
CW-073D-REC-CT



White Quartz
WQ-073D-REC-CT

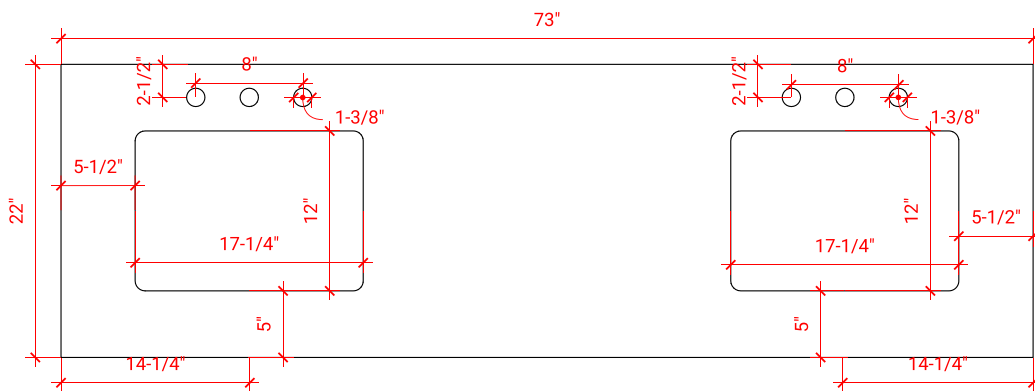
FEATURES

- Solid countertop with mitered edges & seams
- Undermount white rectangular sink
- Pre-drilled for 8" widespread faucet

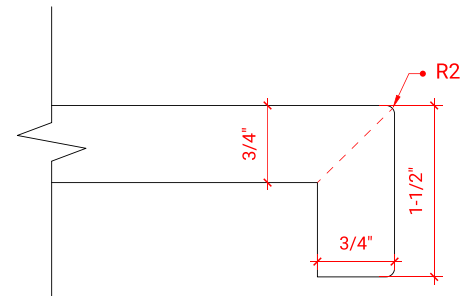
INCLUDED

- Countertop
- Matching Backsplash
- Rectangle Sinks

COUNTERTOP PLAN VIEW



EDGE SIDE VIEW



THREE DIMENSIONAL COUNTERTOP VIEW

