

# MAGNOLIA 48" SINGLE SINK BASE CABINET

# ARIEL

S048S



## BASE CABINET DIMENSIONS

48" W x 21.5" D x 34.5" H

## FEATURES

- Solid wood frame & plywood panels
- Dovetail drawers and joints
- Soft closing doors & drawers

## HARDWARE FINISHES



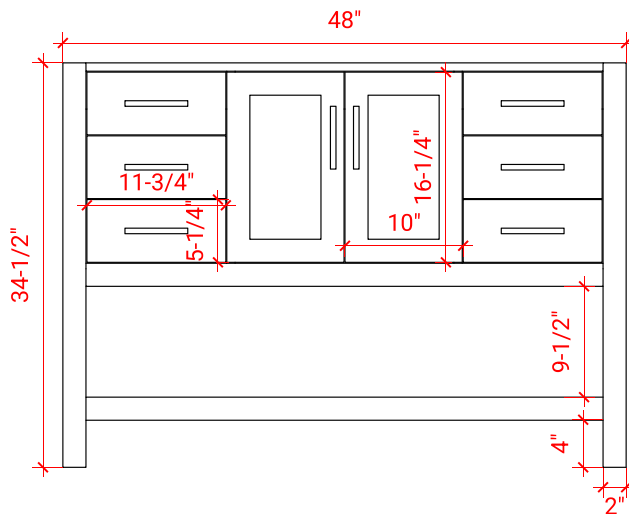
Brushed Nickel    Satin Brass    Matte Black    Polished Chrome

## AVAILABLE COLORS

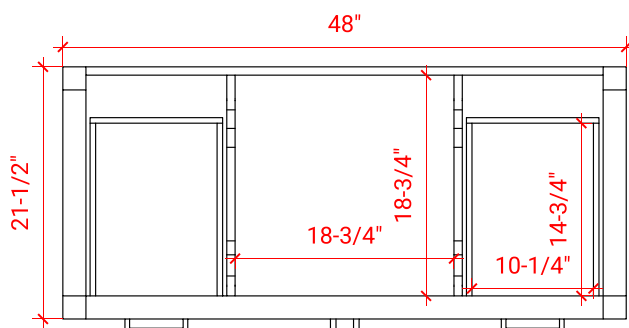


White    Grey    Midnight Blue

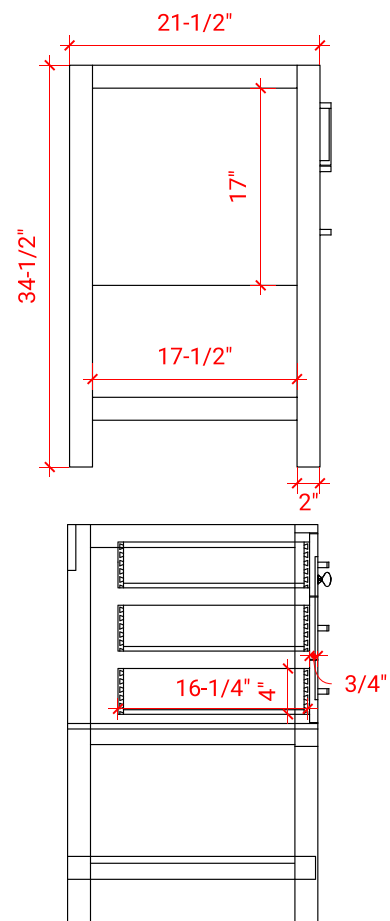
### FRONT VIEW



### PLAN VIEW



### SIDE VIEW



# 49" SINGLE RECTANGLE SINK COUNTERTOP WITH 1.5 IN. THICKNESS

# ARIEL

## OVERALL DIMENSIONS

49" W x 22" D x 1.5" H

## COUNTERTOP OPTIONS



Carrara Marble  
CW-049S-REC-CT



White Quartz  
WQ-049S-REC-CT

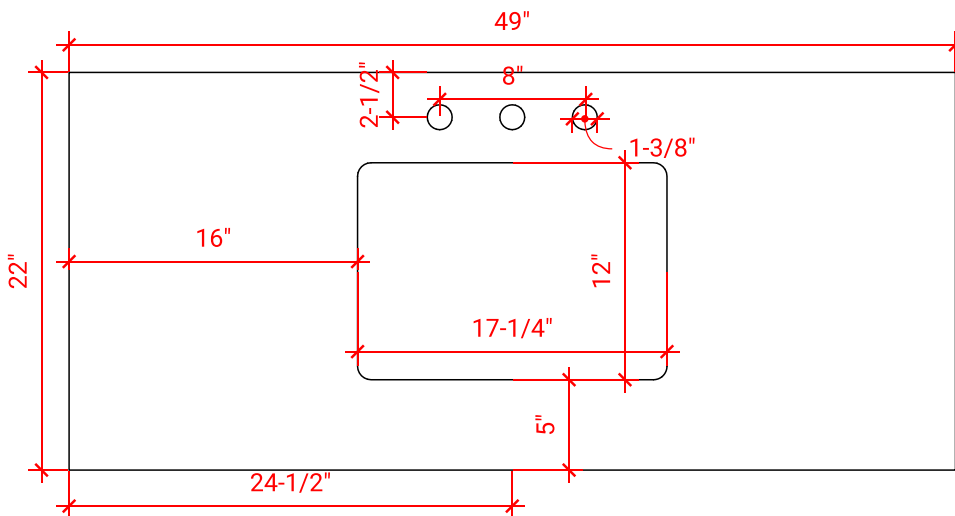
## FEATURES

- Solid countertop with mitered edges & seams
- Undermount white rectangular sink
- Pre-drilled for 8" widespread faucet

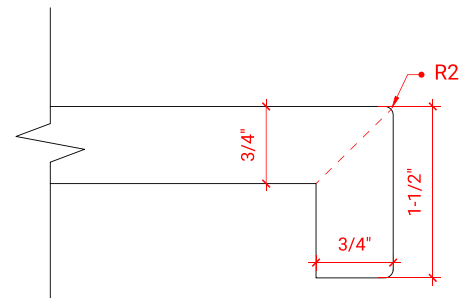
## INCLUDED

- Countertop
- Matching Backsplash
- Rectangle Sink

## COUNTERTOP PLAN VIEW



## EDGE SIDE VIEW



## THREE DIMENSIONAL COUNTERTOP VIEW

