

MAGNOLIA 48" SINGLE SINK BASE CABINET

ARIEL

S048S



BASE CABINET DIMENSIONS

48" W x 21.5" D x 34.5" H

FEATURES

- Solid wood frame & plywood panels
- Dovetail drawers and joints
- Soft closing doors & drawers

HARDWARE FINISHES



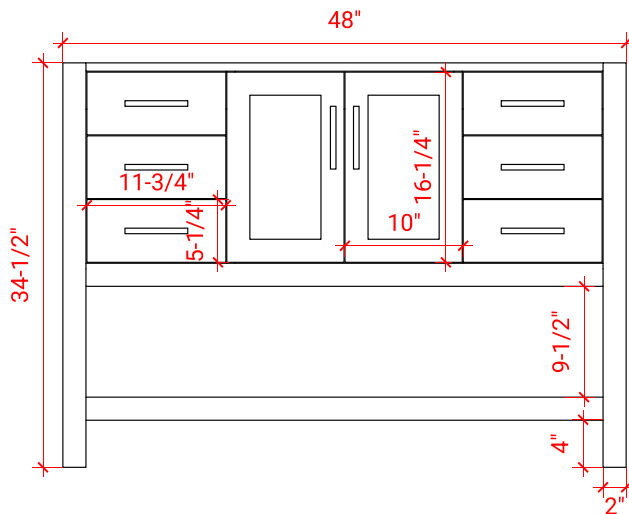
Brushed Nickel Satin Brass Matte Black Polished Chrome

AVAILABLE COLORS

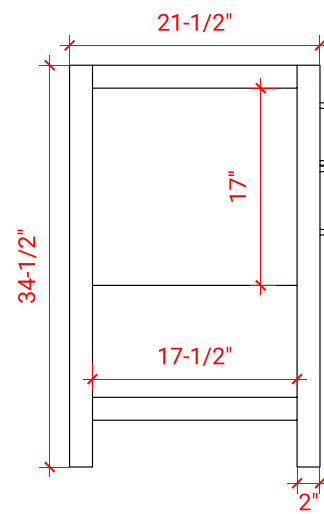


White Grey Midnight Blue

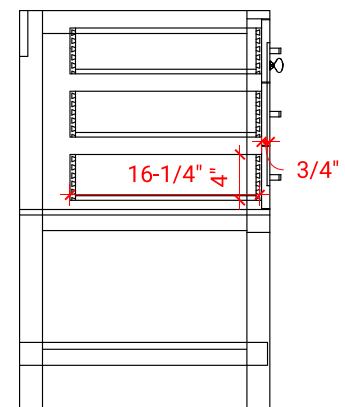
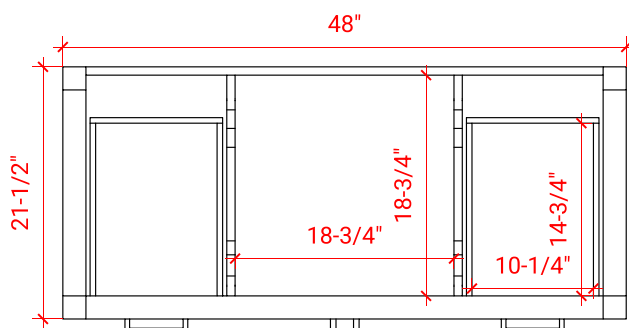
FRONT VIEW



SIDE VIEW



PLAN VIEW



OVERALL DIMENSIONS

49" W x 22" D x 0.75" H

COUNTERTOP OPTIONS



Carrara Marble
CW2-049S-OVL-CT

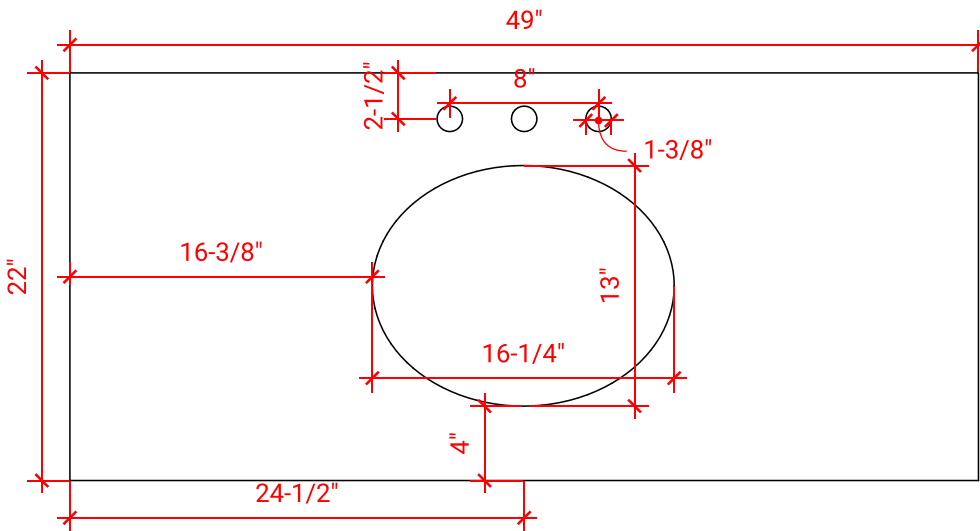
FEATURES

- Solid countertop with mitered edges & seams
- Undermount white oval sink
- Pre-drilled for 8" widespread faucet

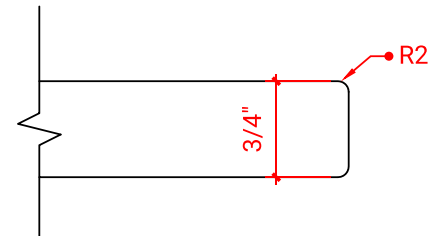
INCLUDED

- Countertop
- Matching Backsplash
- Oval Sink

COUNTERTOP PLAN VIEW



EDGE SIDE VIEW



THREE DIMENSIONAL COUNTERTOP VIEW

