

# MAGNOLIA 48" SINGLE SINK BASE CABINET

# ARIEL

S048S



## BASE CABINET DIMENSIONS

48" W x 21.5" D x 34.5" H

## FEATURES

- Solid wood frame & plywood panels
- Dovetail drawers and joints
- Soft closing doors & drawers

## HARDWARE FINISHES



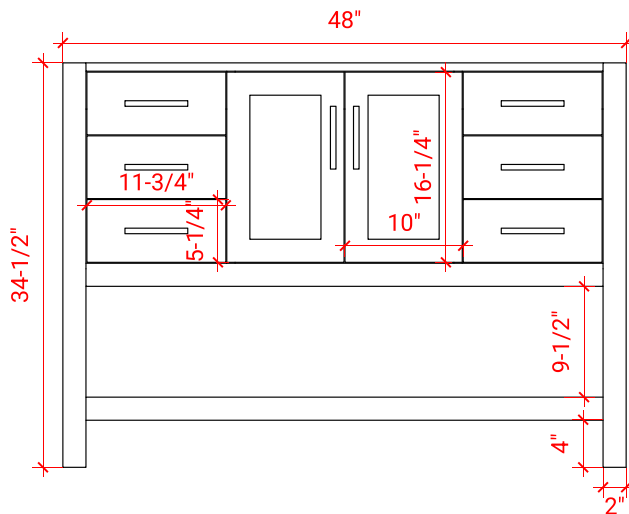
Brushed Nickel    Satin Brass    Matte Black    Polished Chrome

## AVAILABLE COLORS

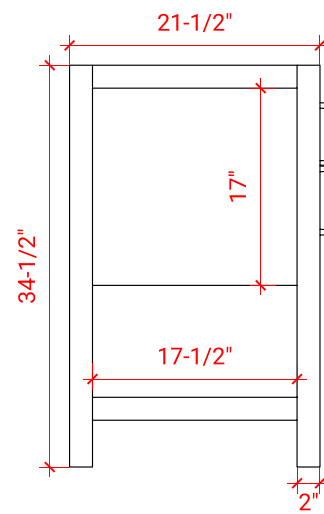


White    Grey    Midnight Blue

FRONT VIEW



SIDE VIEW



PLAN VIEW

