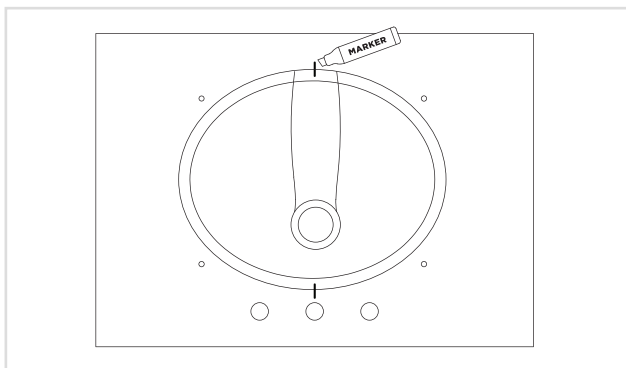
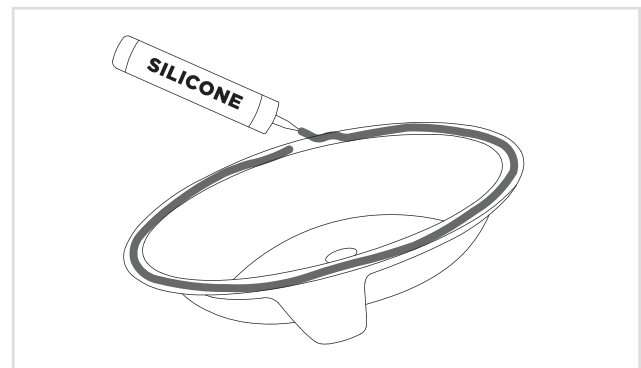


INCLUDED	NEEDED	HARDWARE
<ul style="list-style-type: none"> <li>• Base cabinet</li> <li>• Countertop</li> <li>• Sink basin</li> <li>• Backsplash</li> <li>• Hardware</li> </ul>	<ul style="list-style-type: none"> <li>• Permanent marker</li> <li>• Silicone - (Recommend Liquid Nails #LN-933 or Loctite #PL530 or GE Silicone II #M90010)</li> <li>• Epoxy - (Recommend Loctite #1365868 or Gorilla Glue #4200101)</li> <li>• Caulking gun</li> <li>• Power Drill</li> <li>• Drywall Screws</li> </ul>	<div style="display: flex; flex-wrap: wrap;"> <div style="width: 50%;"> <p><b>A</b>  Bolts (4)</p> </div> <div style="width: 50%;"> <p><b>B</b>  Undermount clips (4)</p> </div> <div style="width: 50%;"> <p><b>C</b>  Washers (4)</p> </div> <div style="width: 50%;"> <p><b>D</b>  Wing nuts (4)</p> </div> </div>



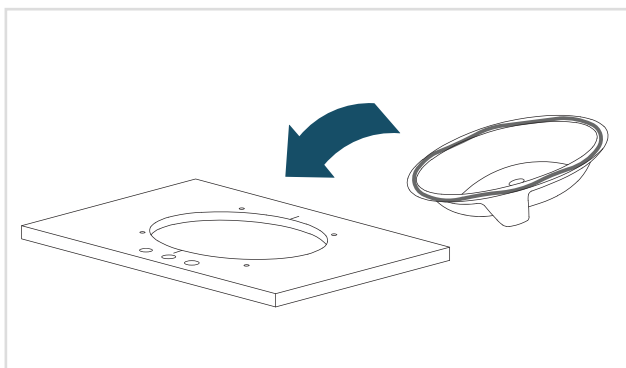
### STEP 1 - PLACE & TRACE

Place the sink basin on the bottom of the countertop, making sure to center over the opening. Draw guide lines on the countertop and the basin in two locations.



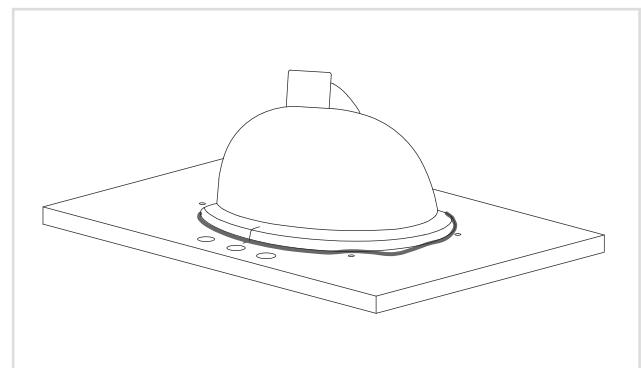
### STEP 2 - PREPARE SINK BASIN

Using a caulking gun, apply a heavy amount of silicone of your choice on the top side of the sink basin edge.



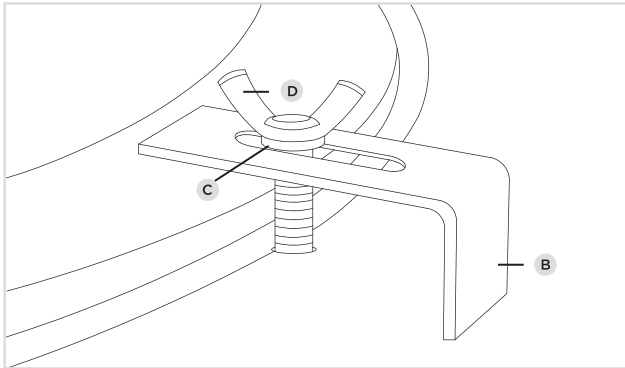
### STEP 3 - FLIP & SET IN PLACE

Carefully flip the sink basin over and place it so the guide lines match up in both locations.

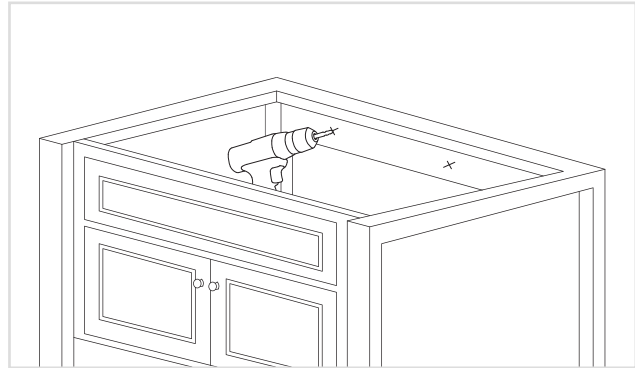


### STEP 4 - DRY & SET

Press down on the sink basin to seal the silicone. Remove any excess. Follow dry time recommendations found on your product, typically 12 to 24 hours.



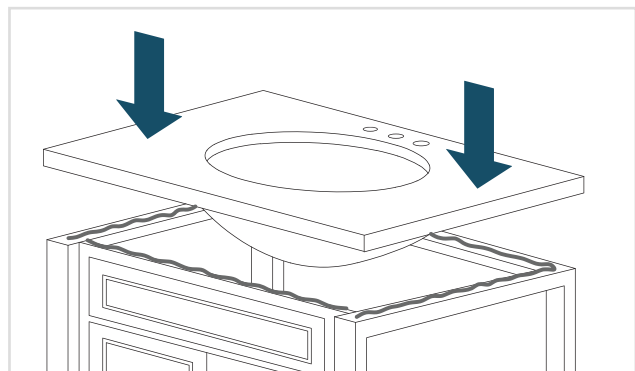
**STEP 5 - ATTACH UNDERMOUNT CLIPS**  
After following recommended drying time, attach the undermount clips (PART B) facing down, place the washer (PART C) on the clips & use the wing nuts (PART D) to secure in place. Apply silicone to the wing nut for added stability.



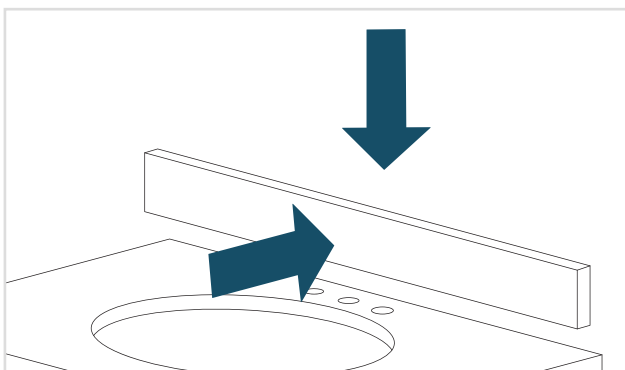
**STEP 6 - ATTACH BASE CABINET TO WALL**  
Place cabinet in desired location and determine where the wall studs are. Using drywall screws, attach the cabinet to the wall by screwing into the wall studs.



**STEP 7 - PREPARE BASE CABINET**  
Using a caulking gun, apply silicone around the top of the base cabinet.



**STEP 8 - SET COUNTERTOP IN PLACE**  
Carefully place the countertop, with the sink attached, onto the cabinet and press down firmly. Wipe away and excess silicone immediately.



**STEP 9 - SET BACKSPLASH**  
After the vanity is in place, use a caulking gun to apply silicone to the back and bottom unfinished sides of the backsplash. Press firmly down and back to set in place. Remove any excess silicone.