

# TAYLOR 36" RIGHT OFFSET CABINET

# ARIEL

Q036S-R



## BASE CABINET DIMENSIONS

36" W x 21.75" D x 34.5" H

## FEATURES

- Solid wood frame & plywood panels
- Dovetail drawers and joints
- Soft closing doors & drawers

## HARDWARE FINISHES



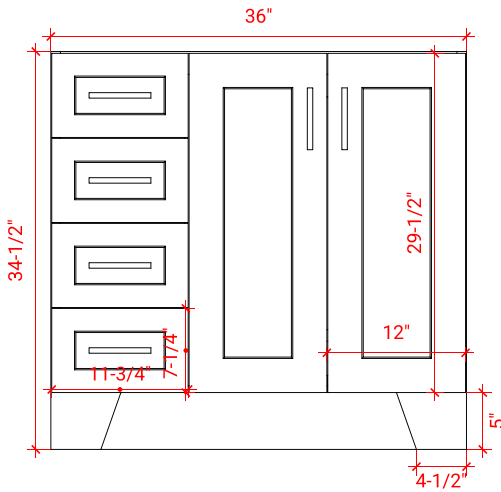
Brushed Nickel    Satin Brass    Matte Black    Polished Chrome

## AVAILABLE COLORS

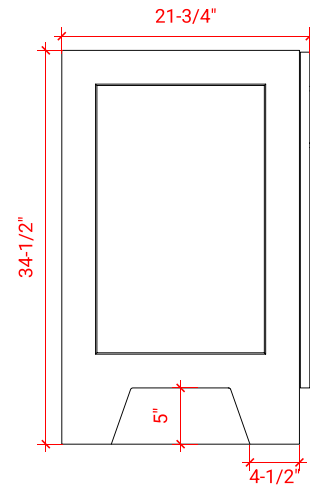


White    Grey    Midnight Blue

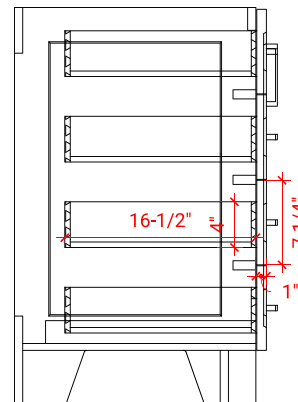
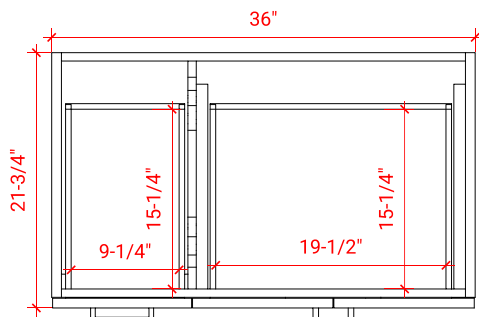
FRONT VIEW



SIDE VIEW



PLAN VIEW



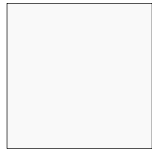
**OVERALL DIMENSIONS**

37" W x 22" D x 1.5" H

**COUNTERTOP OPTIONS**



Carrara Marble  
CW-037S-R-OVL-CT



White Quartz  
WQ-037S-R-OVL-CT

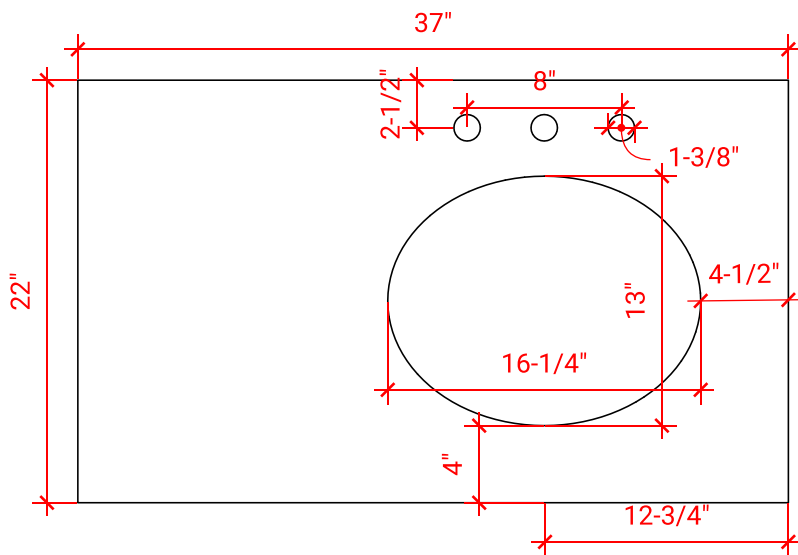
**FEATURES**

- Solid countertop with mitered edges & seams
- Undermount white oval sink
- Pre-drilled for 8" widespread faucet

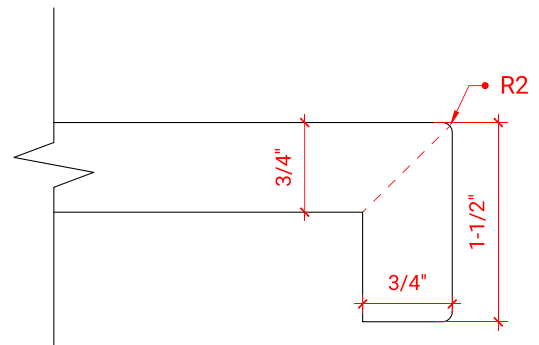
**INCLUDED**

- Countertop
- Matching Backsplash
- Oval Sink

**COUNTERTOP PLAN VIEW**



**EDGE SIDE VIEW**



**THREE DIMENSIONAL COUNTERTOP VIEW**

