

# TAYLOR 36" LEFT OFFSET CABINET



## BASE CABINET DIMENSIONS

36" W x 21.6" D x 34.5" H



## FEATURES

- Solid wood frame & plywood panels
- Dovetail drawers and joints
- Soft closing doors & drawers

## HARDWARE FINISHES\*



Brushed Nickel    Satin Brass    Matte Black    Polished Chrome

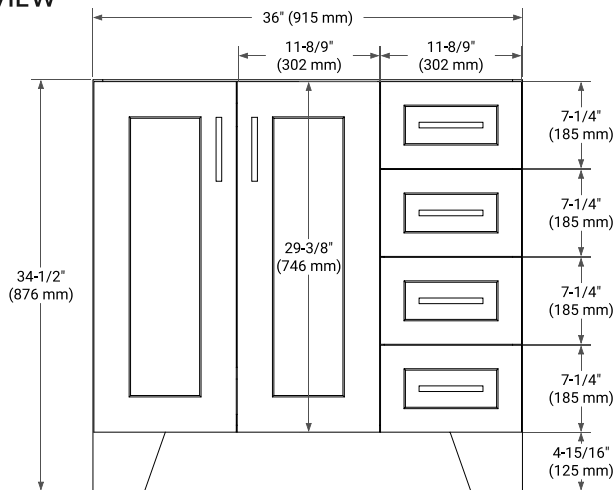
*Hardware comes preinstalled with the illustrated option. Other finishes are available on our online store if you prefer a different one.*

## AVAILABLE COLORS

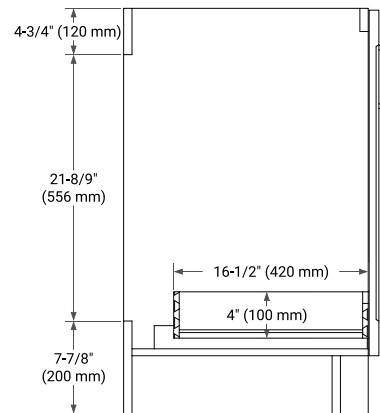


White    Grey    Midnight Blue

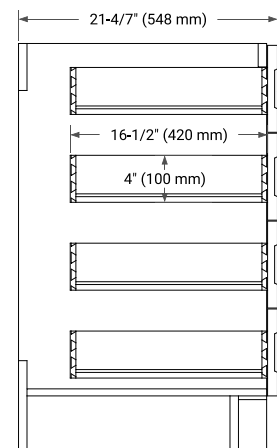
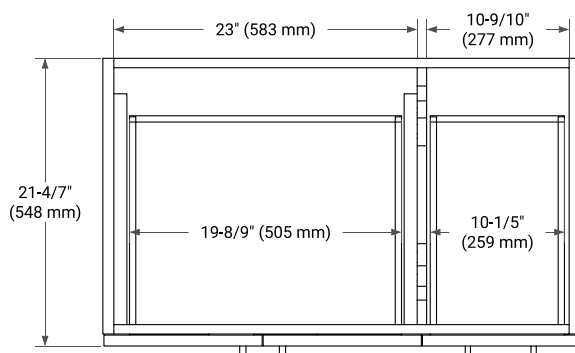
### FRONT VIEW



### SIDE VIEW



### PLAN VIEW



**OVERALL DIMENSIONS**

37" W x 22" D x 1.5" H

**COUNTERTOP OPTIONS**



Carrara Marble



White Quartz

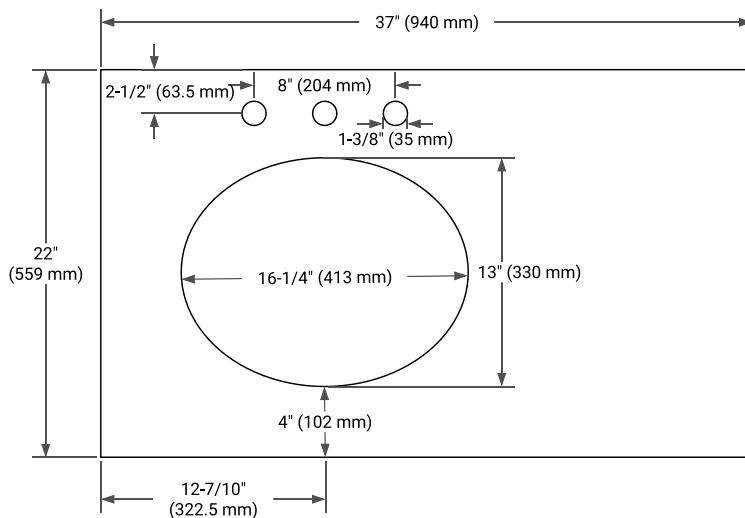
**FEATURES**

- Solid countertop with mitered edges & seams
- Undermount white oval sink
- Pre-drilled for 8" widespread faucet

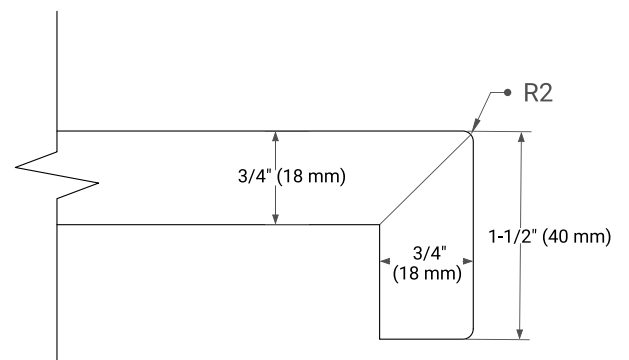
**INCLUDED**

- Countertop
- Matching Backsplash
- Oval Sink

**COUNTERTOP PLAN VIEW**



**EDGE SIDE VIEW**



**THREE DIMENSIONAL COUNTERTOP VIEW**

