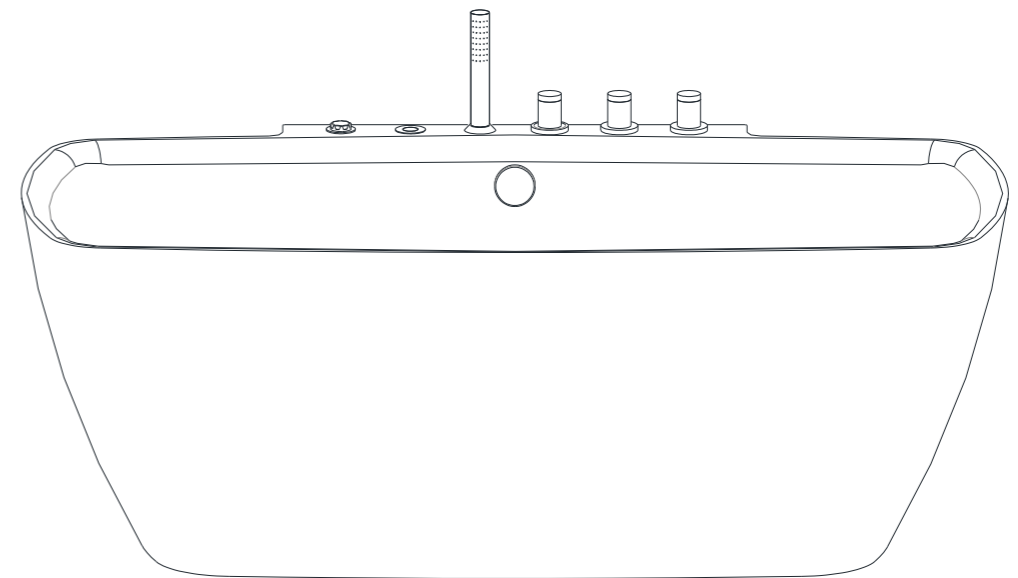


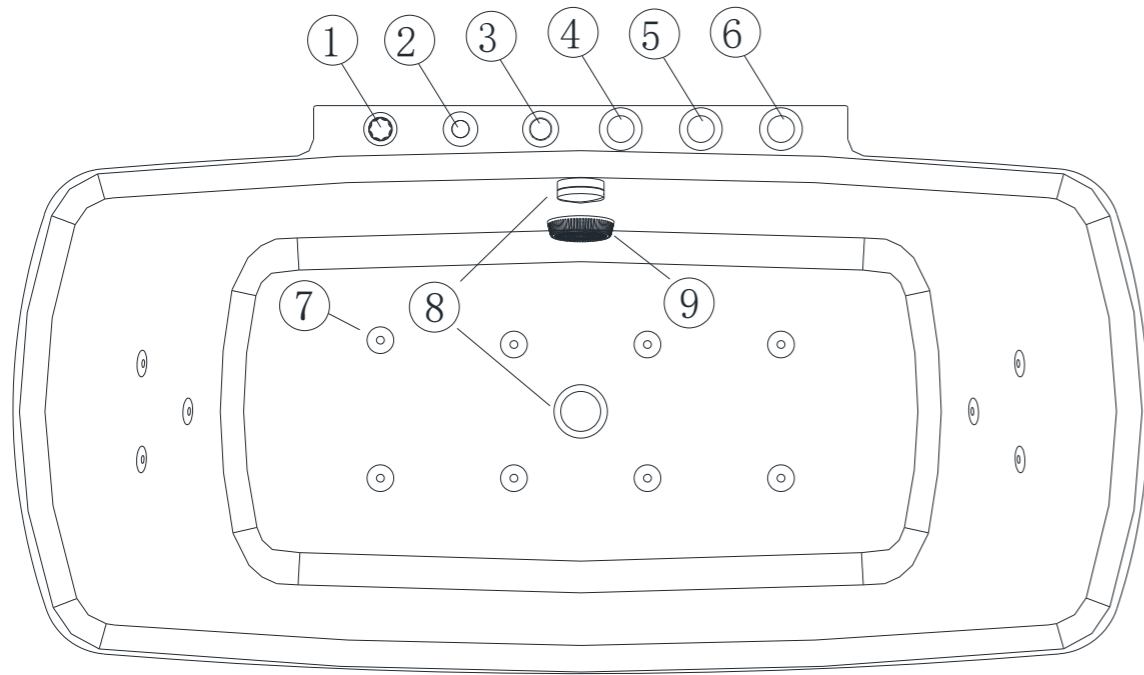
ARIEL

Whirlpool Installation Manual

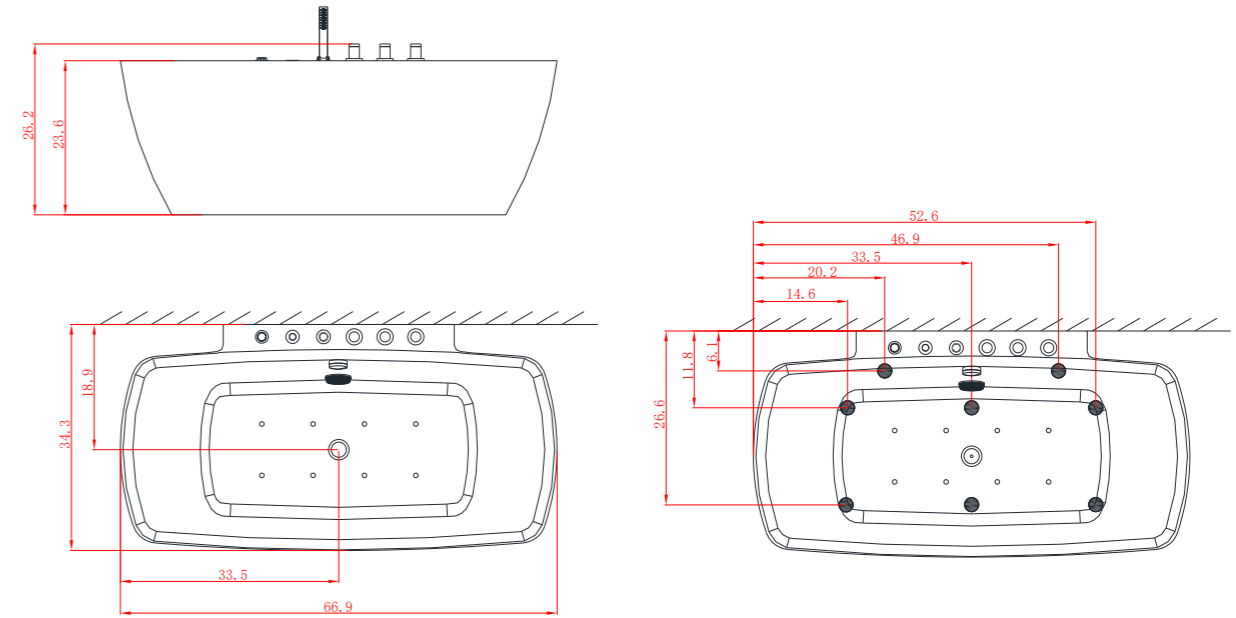
ARIEL
ARL-702



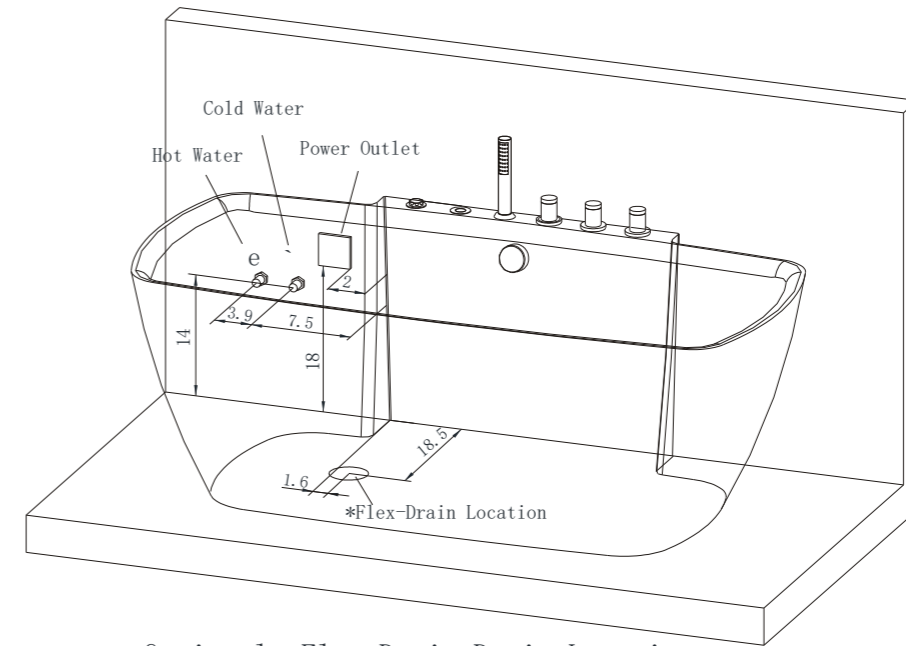
Serial Number:



No.	ENGLISH
1	Air Regulator
2	Pneumatic Switch
3	Handshower
4	Faucet: Hot Valve
5	Faucet: Selector Valve
6	Faucet: Cold Valve
7	Water Jet Outlets
8	Drain System & Fill Faucet
9	Water Jet Suction



*Actual Drain-Cutout Location

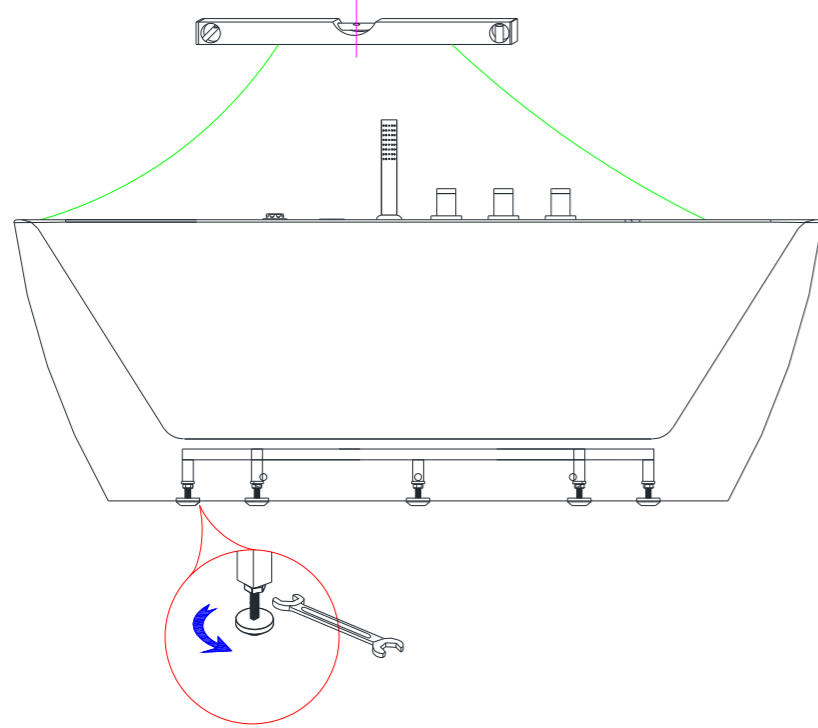


*Optional: Flex-Drain Drain Location

All measurements are converted from millimeters. Designs and sizes can vary. We accept no liability for manufacturing tolerances, product changes, or editing errors.

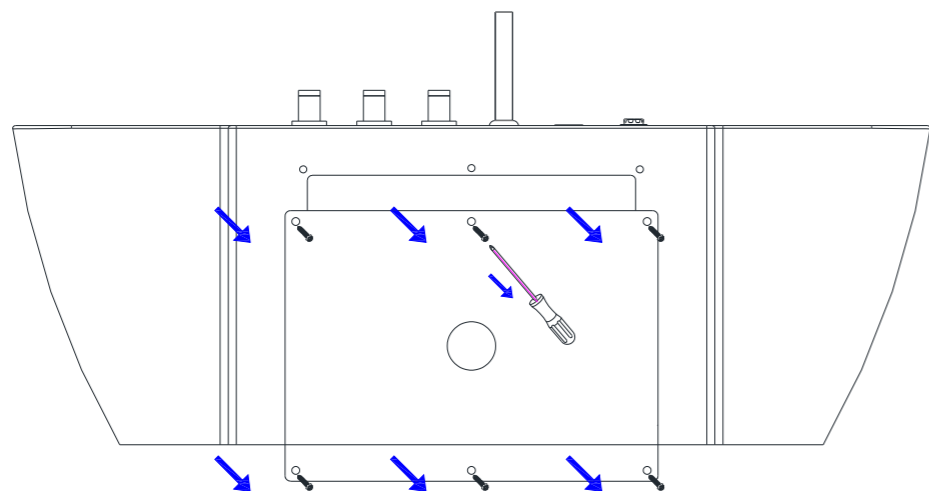
1

Adjust leveling legs.

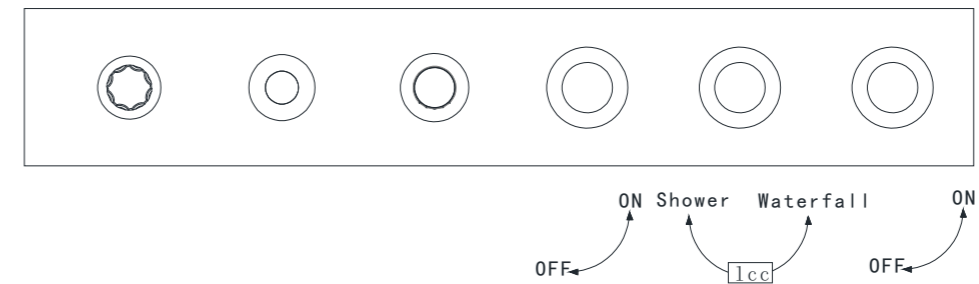
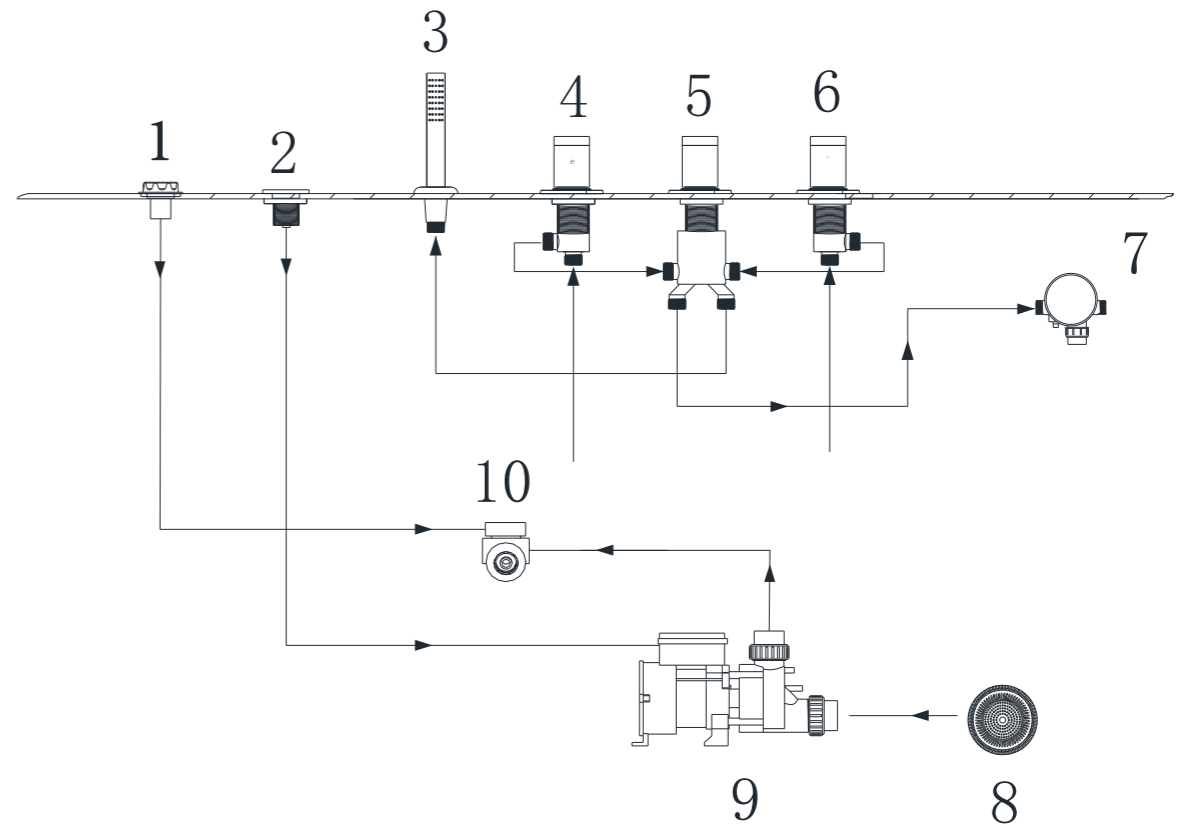


2

Remove access panel.



Flowchart



No.	ENGLISH	No.	ENGLISH
1	Air Regulator	6	Faucet: Cold Valve
2	Pneumatic Switch	7	Drain Switch & Fill Faucet
3	Handshower	8	Water Jet Suction
4	Faucet: Hot Valve	9	Water Pump
5	Faucet: Selector Valve	10	Water Jet

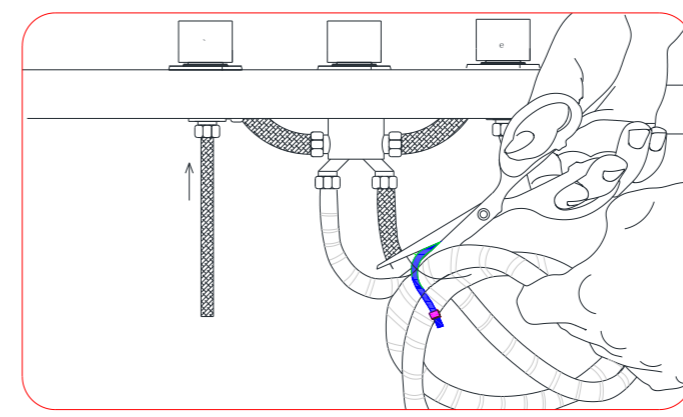
Technical Parameters

Rated Voltage	AC 110-120v 60hz
Rated Current	14a
Normal Rated Power	1500w
Recommended Power Service	GFCI-Protected 20A
Water Pipe Dimensions	1/2"
Drainage Pipe Dimensions	1 1/2" (40mm)
Max. Hot Water Temperature	176°F (80°C)
Recommended Hot Water	149°F (65°C)
Operating Pressure	Max 116 PSI (8 bar / 0.8 mPa)
Recommended Operating Pressure	14.5-72.5 PSI (1-5 bar / 0.1-0.5mPa)

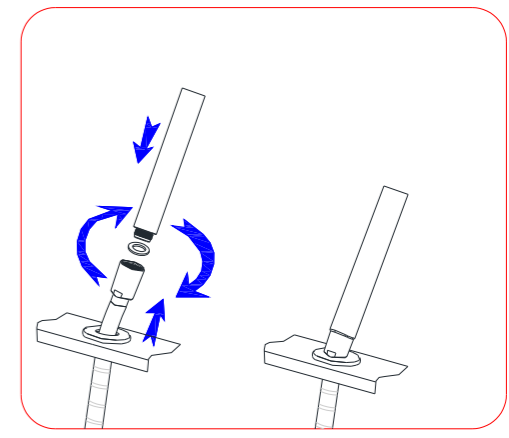


16
EN12764:2004+A1

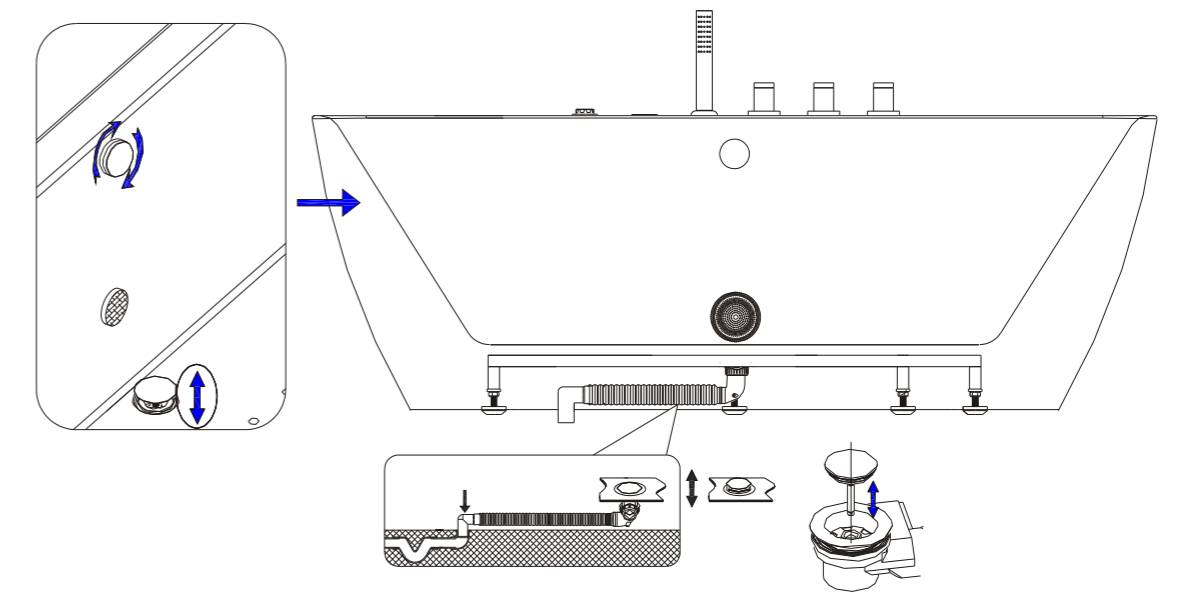
3 Review connections.



4 Install handshower.

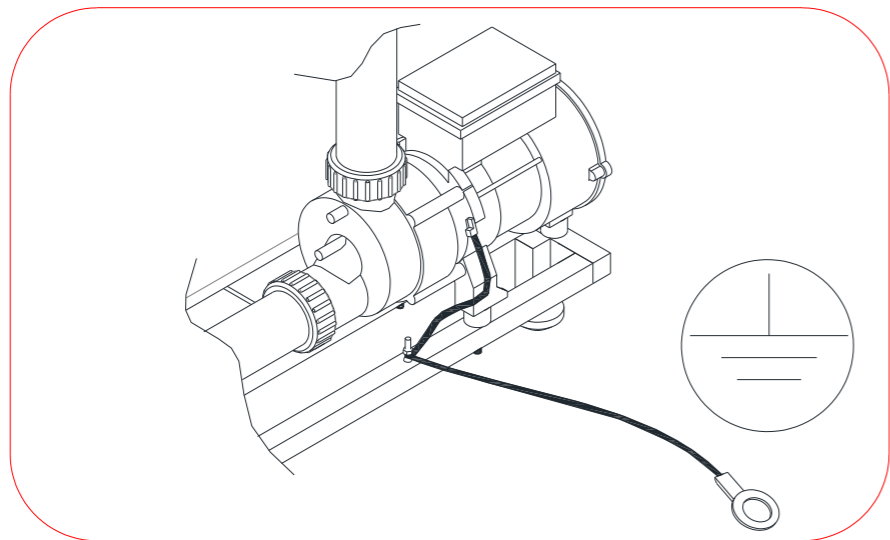


5 Install drain plug; test function. Connect drain.

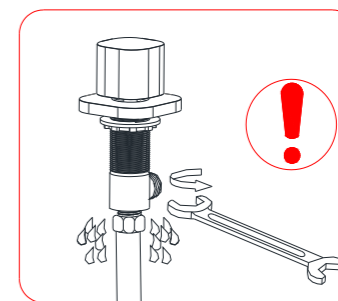
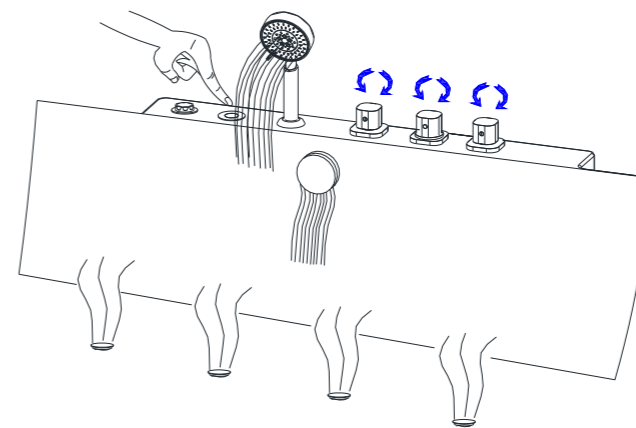


*Some optional features maybe shown: Flex-Drain Hose

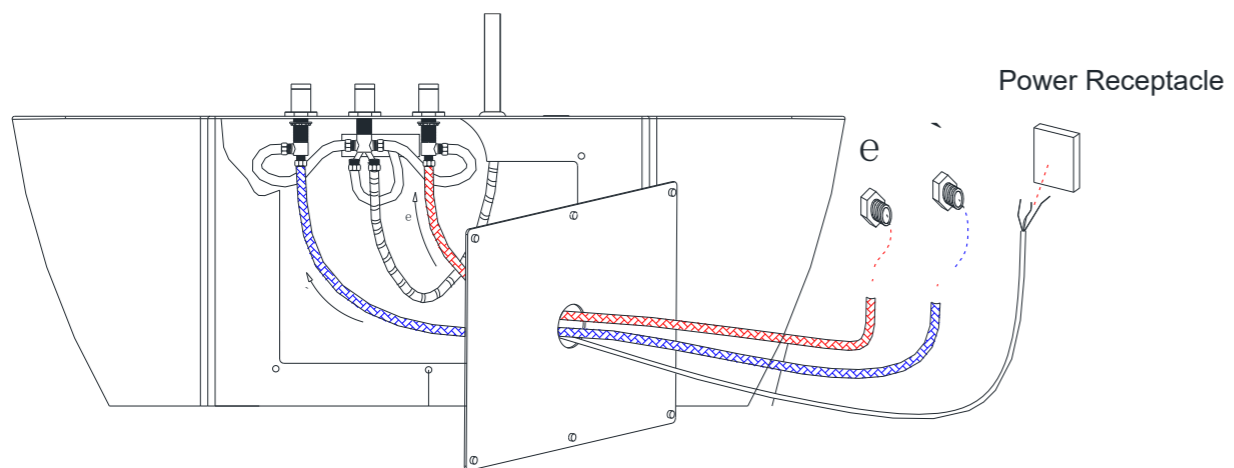
6 Connect any ground connections to your household ground.



8 Test functions. Check for leaks. Ensure all connections are tight.



7 Connect water connections and electrical supply.



9 Install access panel.

