

CAMBRIDGE 60" DOUBLE SINK BASE CABINET

ARIEL

A061D



BASE CABINET DIMENSIONS

60" W x 21.5" D x 34.5" H

FEATURES

- Solid wood frame & plywood panels
- Dovetail drawers and joints
- Soft closing doors & drawers

HARDWARE FINISHES



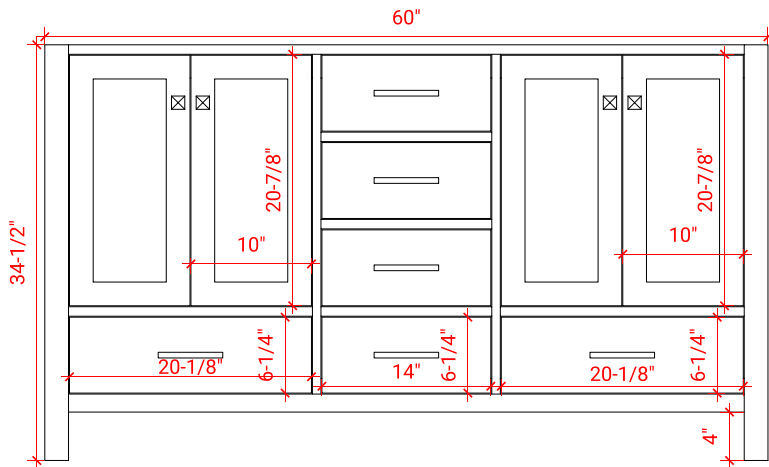
Brushed Nickel Satin Brass Matte Black Polished Chrome

AVAILABLE COLORS

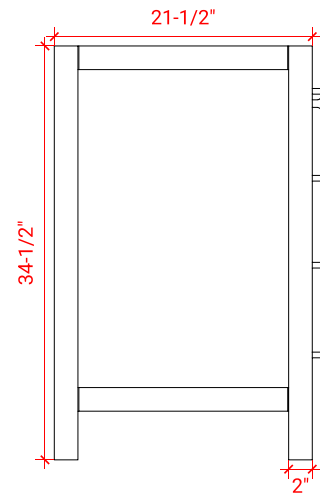


White Grey Midnight Blue Espresso

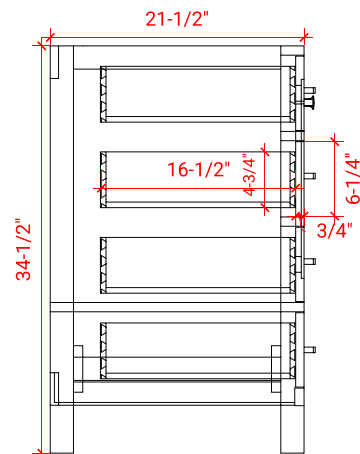
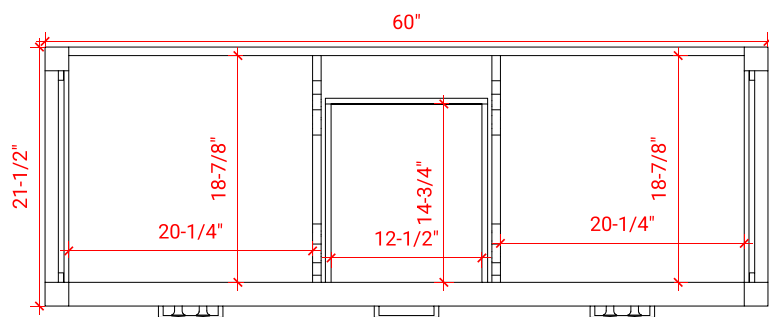
FRONT VIEW



SIDE VIEW



PLAN VIEW



61" DOUBLE RECTANGLE SINK COUNTERTOP WITH 1.5 IN. THICKNESS

ARIEL

OVERALL DIMENSIONS

61" W x 22" D x 1.5" H

COUNTERTOP OPTIONS



Carrara Marble
CW-061D-REC-CT



White Quartz
WQ-061D-REC-CT

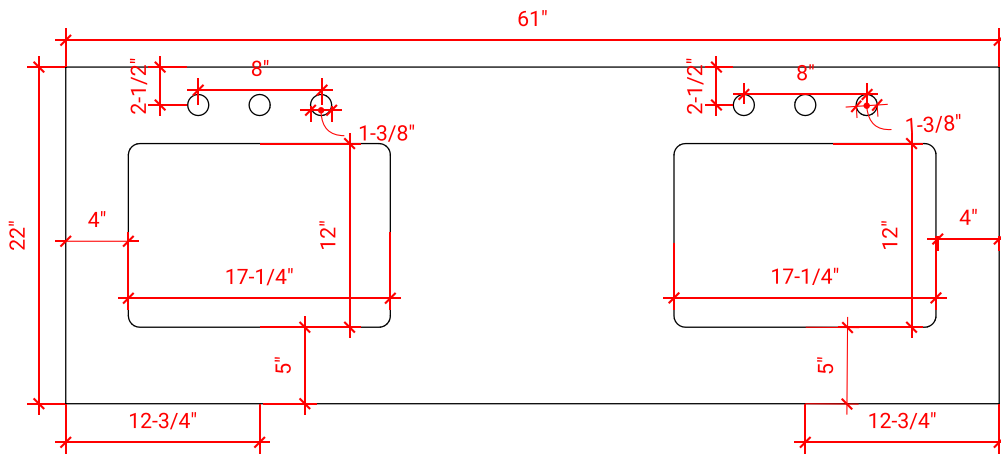
FEATURES

- Solid countertop with mitered edges & seams
- Undermount white rectangular sink
- Pre-drilled for 8" widespread faucet

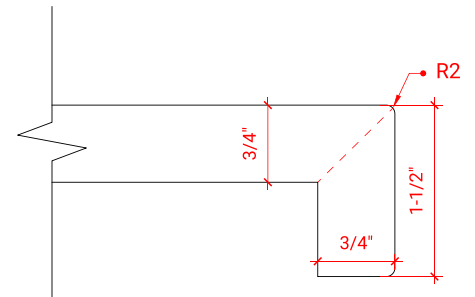
INCLUDED

- Countertop
- Matching Backsplash
- Rectangle Sinks

COUNTERTOP PLAN VIEW



EDGE SIDE VIEW



THREE DIMENSIONAL COUNTERTOP VIEW

