

# KENSINGTON 72" DOUBLE SINK BASE CABINET

# ARIEL

D073D



## BASE CABINET DIMENSIONS

72" W x 21.5" D x 34.5" H

## FEATURES

- Solid wood frame & plywood panels
- Dovetail drawers and joints
- Soft closing doors & drawers

## HARDWARE FINISHES



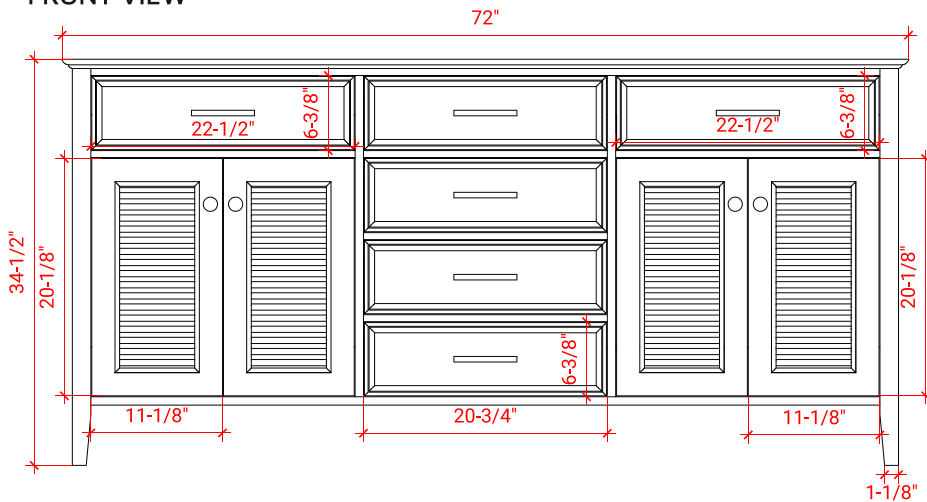
Brushed Nickel    Satin Brass    Matte Black    Polished Chrome

## AVAILABLE COLORS

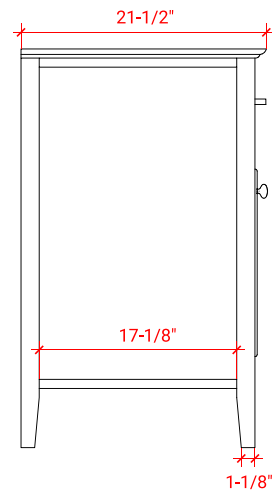


White    Grey    Midnight Blue    Espresso

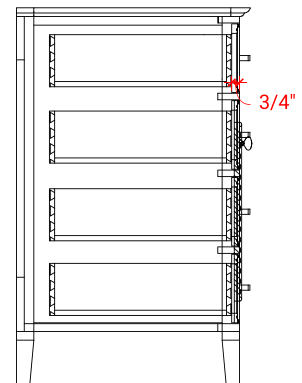
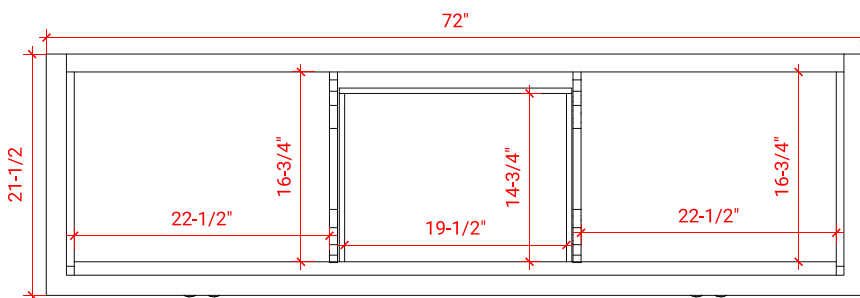
### FRONT VIEW



### SIDE VIEW



### PLAN VIEW





# 73" DOUBLE RECTANGLE SINK COUNTERTOP WITH 1.5 IN. THICKNESS

# ARIEL

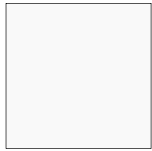
## OVERALL DIMENSIONS

73" W x 22" D x 1.5" H

## COUNTERTOP OPTIONS



Carrara Marble  
CW-073D-REC-CT



White Quartz  
WQ-073D-REC-CT

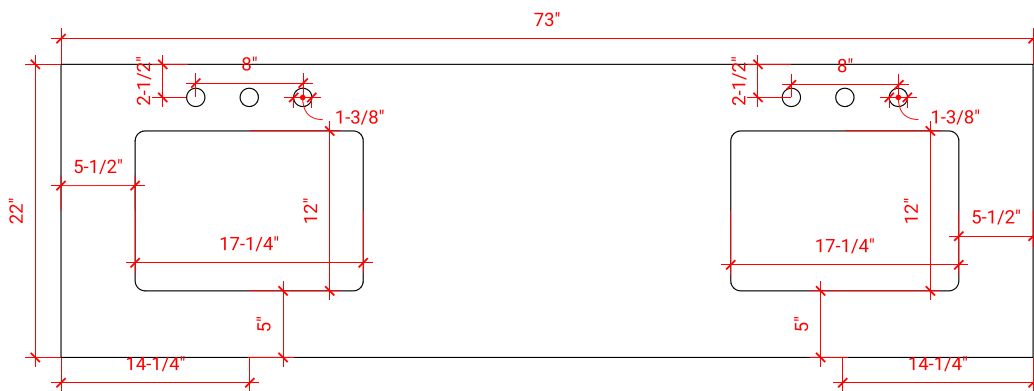
## FEATURES

- Solid countertop with mitered edges & seams
- Undermount white rectangular sink
- Pre-drilled for 8" widespread faucet

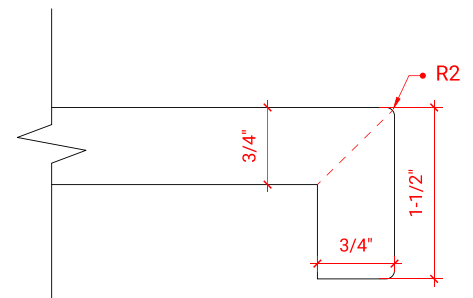
## INCLUDED

- Countertop
- Matching Backsplash
- Rectangle Sinks

## COUNTERTOP PLAN VIEW



## EDGE SIDE VIEW



## THREE DIMENSIONAL COUNTERTOP VIEW

