

D031S



BASE CABINET DIMENSIONS

30" W x 21.5" D x 34.5" H

FEATURES

- Solid wood frame & plywood panels
- Dovetail drawers and joints
- Soft closing doors & drawers

HARDWARE FINISHES



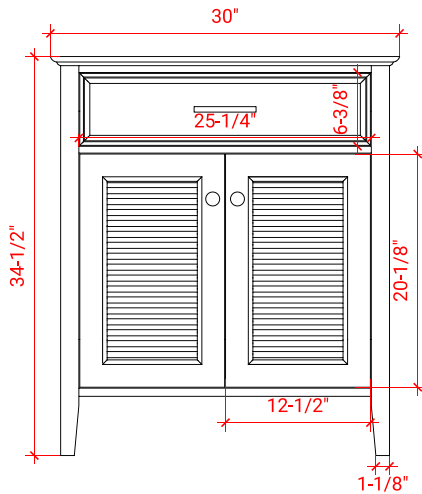
Brushed Nickel Satin Brass Matte Black Polished Chrome

AVAILABLE COLORS

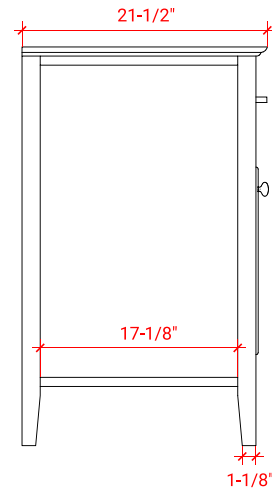


White Grey Midnight Blue Espresso

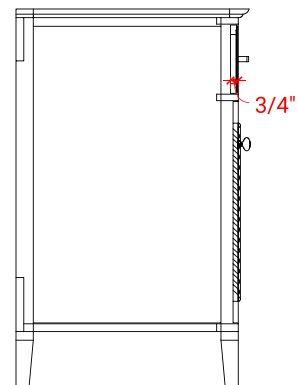
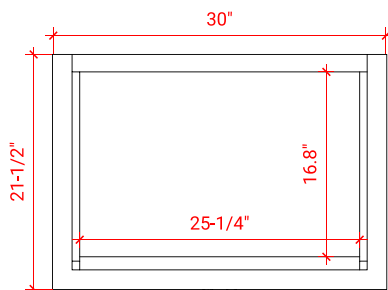
FRONT VIEW



SIDE VIEW



PLAN VIEW



31" SINGLE OVAL SINK COUNTERTOP WITH 1.5 IN. THICKNESS

ARIEL

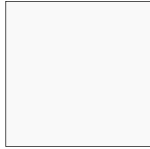
OVERALL DIMENSIONS

30.5" W x 22" D x 1.5" H

COUNTERTOP OPTIONS



Carrara Marble
CW-031S-OVL-CT



White Quartz
WQ-305S-OVL-CT

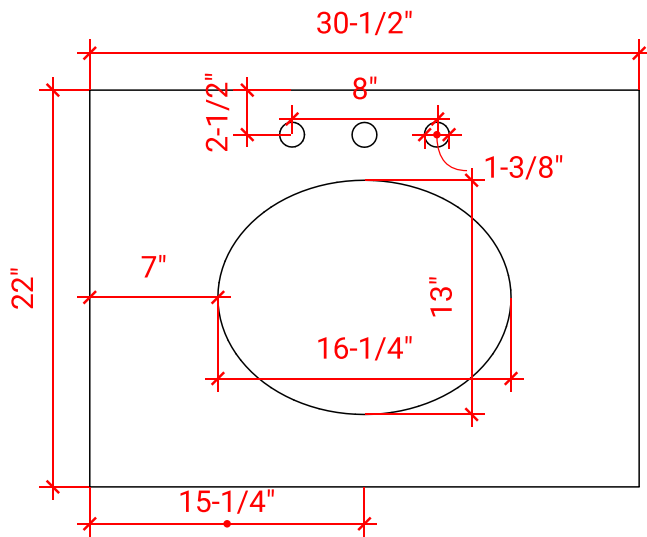
FEATURES

- Solid countertop with mitered edges & seams
- Undermount white oval sink
- Pre-drilled for 8" widespread faucet

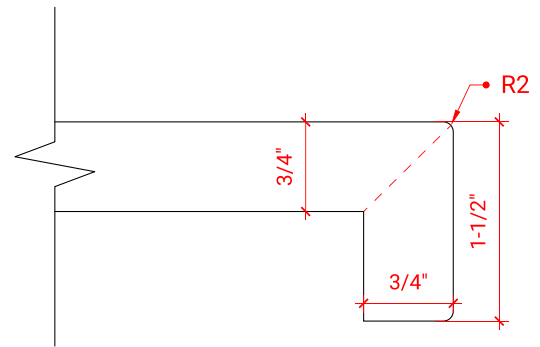
FEATURES

- Countertop
- Matching Backsplash
- Oval Sink

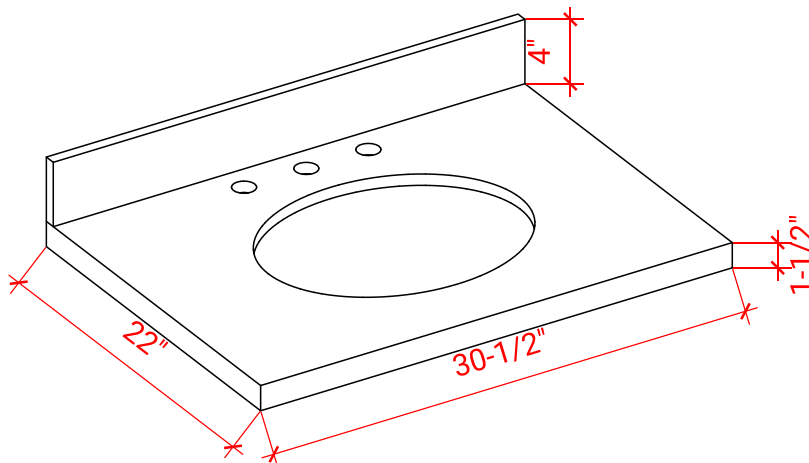
COUNTERTOP PLAN VIEW



EDGE SIDE VIEW



THREE DIMENSIONAL COUNTERTOP VIEW



31" SINGLE RECTANGLE SINK COUNTERTOP WITH 1.5 IN. THICKNESS

ARIEL

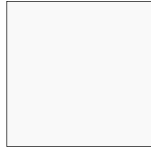
OVERALL DIMENSIONS

30.5" W x 22" D x 1.5" H

COUNTERTOP OPTIONS



Carrara Marble
CW-031S-REC-CT



White Quartz
WQ-305S-REC-CT

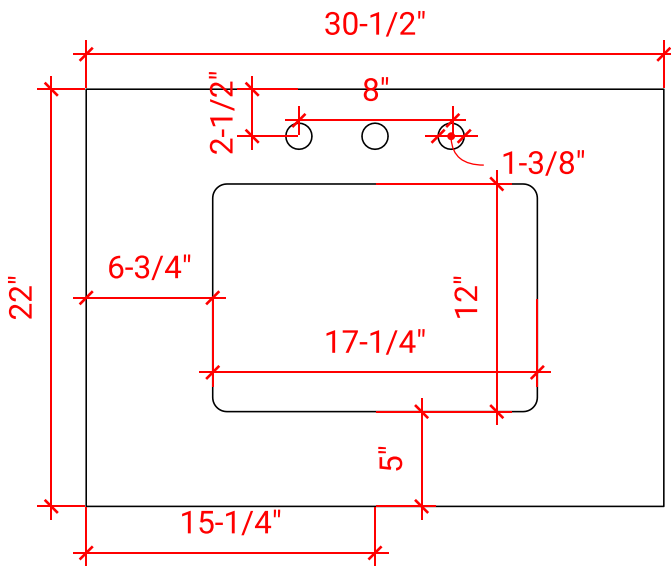
FEATURES

- Solid countertop with mitered edges & seams
- Undermount white rectangular sink
- Pre-drilled for 8" widespread faucet

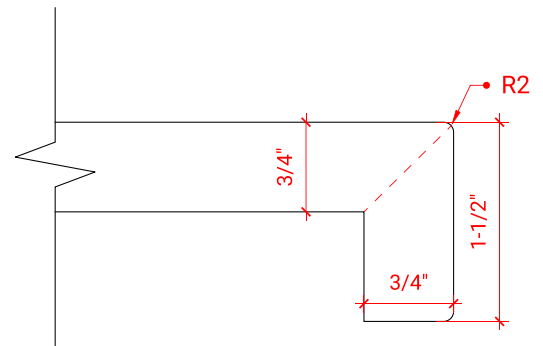
FEATURES

- Countertop
- Matching Backsplash
- Rectangle Sink

COUNTERTOP PLAN VIEW



EDGE SIDE VIEW



THREE DIMENSIONAL COUNTERTOP VIEW

