

Model Series Compatibility

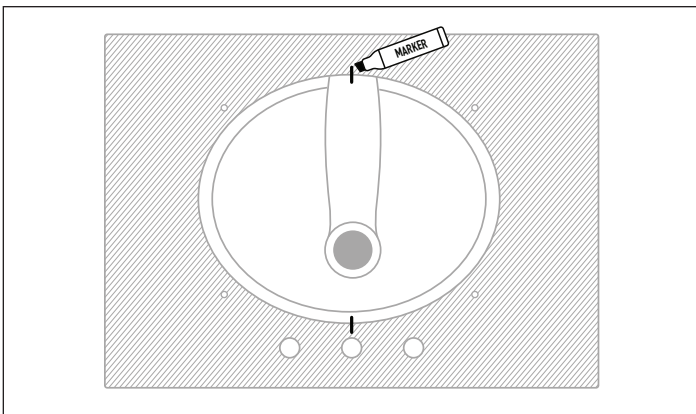
- A** Cambridge **E** Hollandale **M** Stafford
- B** Americano **F** Hamlet
- C** Westwood **G** Shakespeare
- D** Kensington **L** Adams

Required For Installation

- ✔ Sink basin
- ✔ Countertop
- ✔ Backsplash
- ✔ Permanent marker
- ✔ Caulking gun
- ✔ Silicone sealant
- ✔ Wing bolts
- ✔ Undermount clips

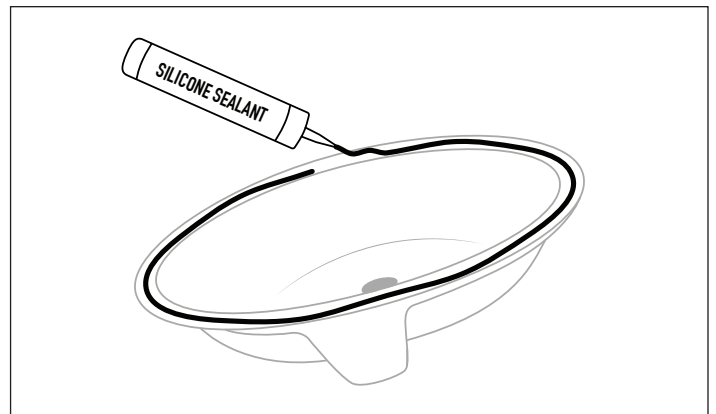
01. Place & Trace

Place the sink basin on the bottomside of the countertop and create mark guides onto the countertop and sink basin.



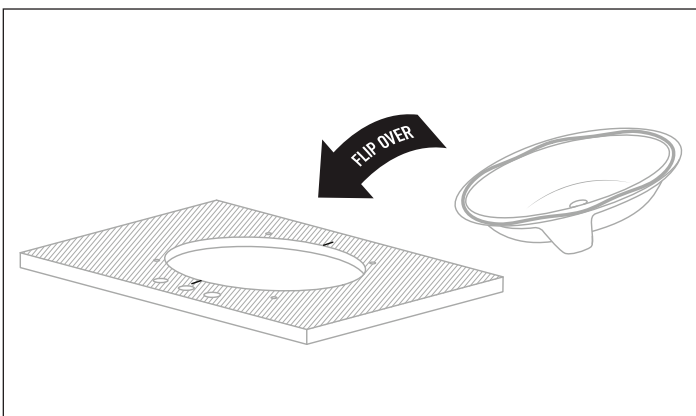
02. Prepare Sink Basin

Apply a heavy amount of silicone sealant around the topside of the sink basin's edge using a caulking gun.



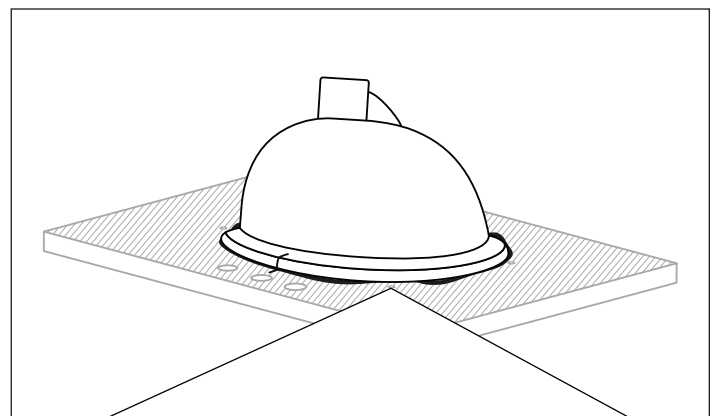
03. Flip Over & Place

Flip the sink basin over and carefully place it within the guidemarks on the bottomside of the countertop.



04. Dry in Place

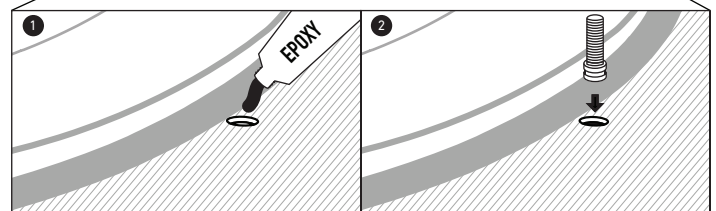
Once the sink basin is placed in the desired position, press down and smooth out any excessive caulk with your finger. ❶



05. Preparing Stud Bolts

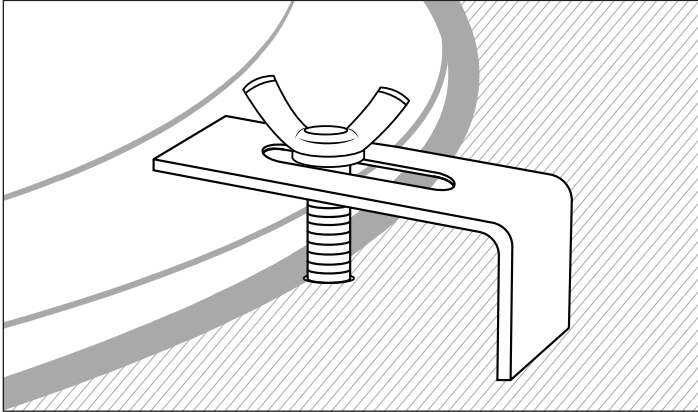
Fill small divots in countertop with epoxy. Insert stud bolt with male end facing upwards.

- ❶ Allow 12 - 24 hours to dry along with the sink basin.



05. Attach Undermount Clip

Attach the undermount clips using the provided wing bolts to hold the sink basin in place. Apply sealant to the bolt for added stability.



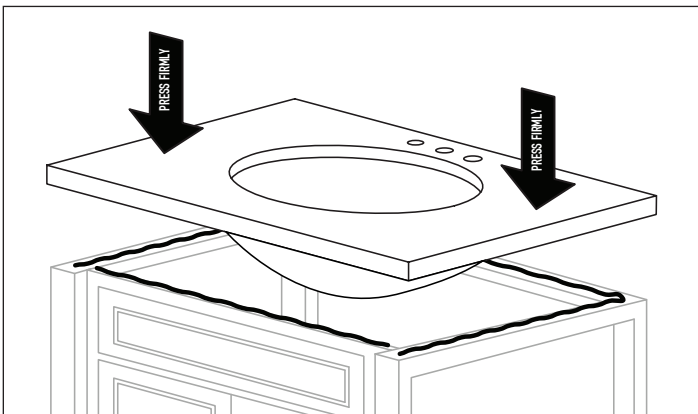
06. Prepare Cabinet

Apply silicone sealant around the topside of the cabinet's edge using a caulking gun.



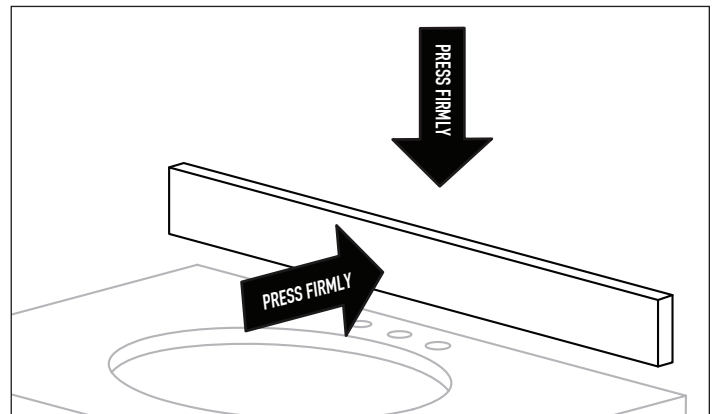
07. Countertop to Cabinet

Carefully place the countertop and sink onto the cabinet and press down firmly. Make sure to clean away any excessive sealant.



08. Backsplash Installation

Apply sealant onto the backsplash and carefully place into position. Press firmly and smooth out any excessive sealant with your finger.



Need Further Assistance?

For more help, please contact us and one of our trusted experts will be more than happy to provide guidance.

800-509-5070

Monday-Friday from 9:00am-5:00pm (PST)