



# INSTALL DIRECTION

STEAM BATHROOM

MODEL : WS-608A



*Your best choice!*

- No advanced advice will be submit before we change our design and size.
- The pictures may be a little different from the real products.
- Our company keep the final explanation right.

Dear Guest,

Thank you very much for purchasing our sanitary ware. To enable you to use this product safely and effectively, please read this installation and operation manual carefully before use.

### CAUTIONS

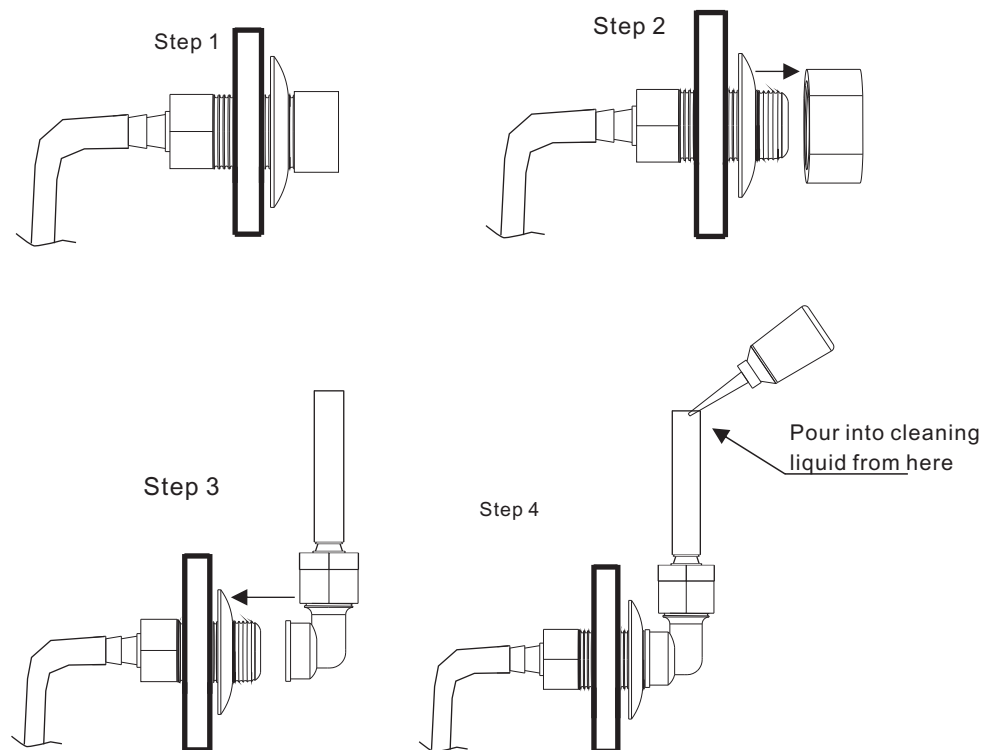
1. Please ensure that the product installed reliable electric leakage protection device, the power plug contains earth line, and make sure it is reliable earth line. Check the protect system of leakage protection each time before use.
2. Do not turn on water pump, heat pump or air bubble pump without water.
3. Before turn on water pump, check if the water level over jets 10 to 20 mm or not, make sure regular usage of water pump otherwise it will be destroy because of water leakage.
4. People with Hypertension symptom, after drink or heart disease are not allowed to use the bathtub. Children have a bath must under adult's guidance.
5. During use please noticed that don't blocked the jets and avoiding the air adjustment valve overflowing. Also keep the bathtub clean and don't let it blocked by hair or mess.
6. During use, please firstly adjust the water temperature or it will be burned.
7. The bathtub is designed with ergonomic, rise and fall changes are quite big so during usage pay more attention of be slipped.
8. Please shut down the system when not to use.

### TECHNIQUE PARAMETER


Voltage	Freque ncy	Water Volatge	Power of steam generator	Power of water pump	Power of heat pump	Power of air pump	Storage capacity	Storage capacity
Ac 110V(±10%)	60Hz	0.1~0.2Mpa	2.65KW	1.2HP	1KW	0.2KW	48gallon	0.22m <sup>3</sup>

CAUTIONS: Heat pump and air bubble pump is optional purchase.




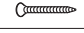



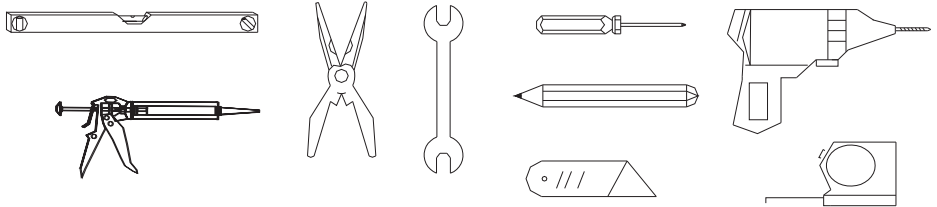
## Self-clean system

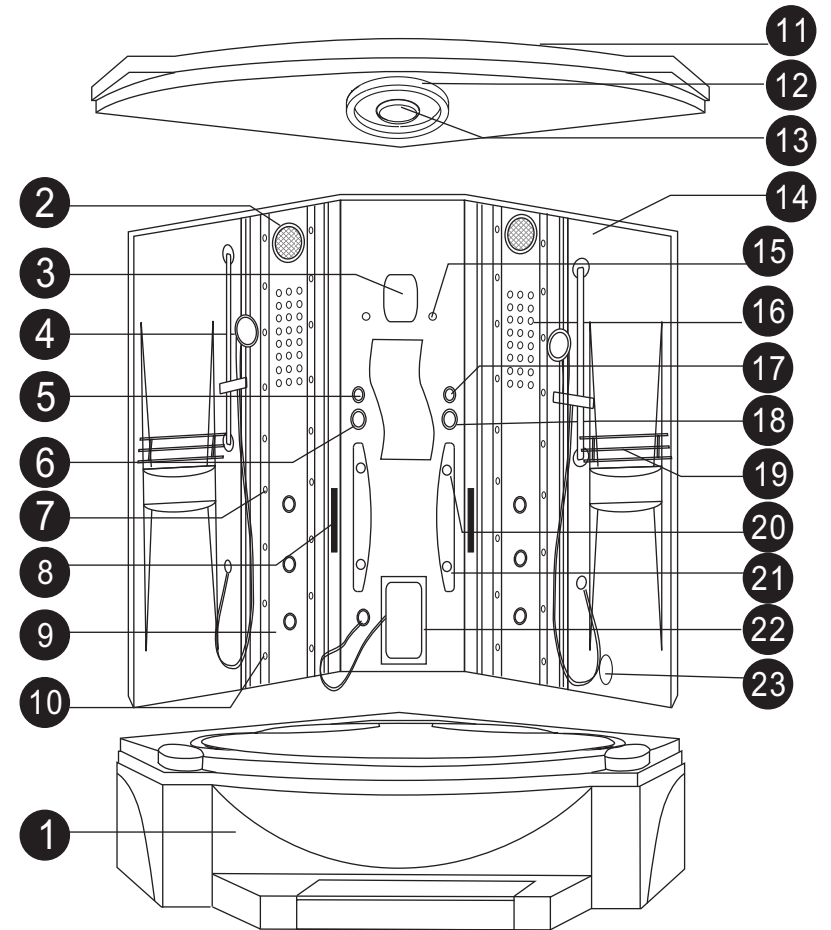


Cleaning method :

1. Clean the steam engine regularly at least once by every 2weeks or after using 20 times.
2. Inject citric acid as main cleaning liquid, add 1.5L each time. after 10 minutes, turn on and When the system turns on, press “” button to start the steam function for about 30seconds and then shut down the system. After vent the stagnant water, repeat 2 or 3 times.
3. CAUTION: The system must be shut down before injecting

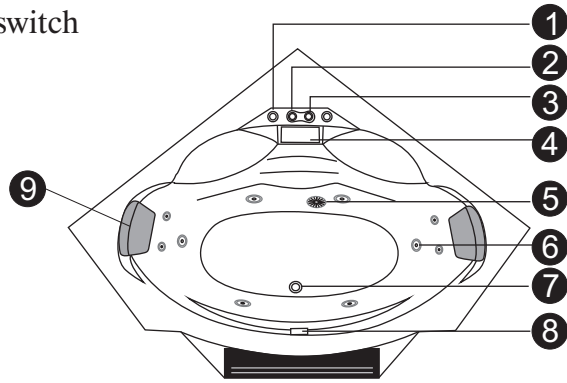
## Packing list

Packing 1	three pieces of ABS board, two pieces of sliding glass door, two pieces of fixed glass door.			
Packing 2	one tray, one roof, two pieces of up and down bended aluminum column, two pieces of deluxe shower holding bar, one set of foot massage, one piece of steam pipe with plastic pad.			
Spare parts list	two pieces of "T" shaped pillow, one piece of remote control, two pieces of round shaped handle, one piece of drainage cover, four pieces of plastic seal for the post, two sets of handle 22, two sets of shower, M6*25 screw(1), M6*35 screw(2), ST4*20 screw(3), ST4*25 screw(4), ST4*16 screw(5), ST4*20 screw(6), ST4*25 screw(7), one instruction.			
	SCREW (1)	M6x25		20pcs
	SCREW (2)	M6x35		8pcs
	SCREW (3)	ST4x20		6pcs
	SCREW (4)	ST4x25		16pcs
	SCREW (5)	ST4x16		4pcs
	SCREW (6)	ST4x20		10pcs
	SCREW (7)	ST4x25		8pcs
				



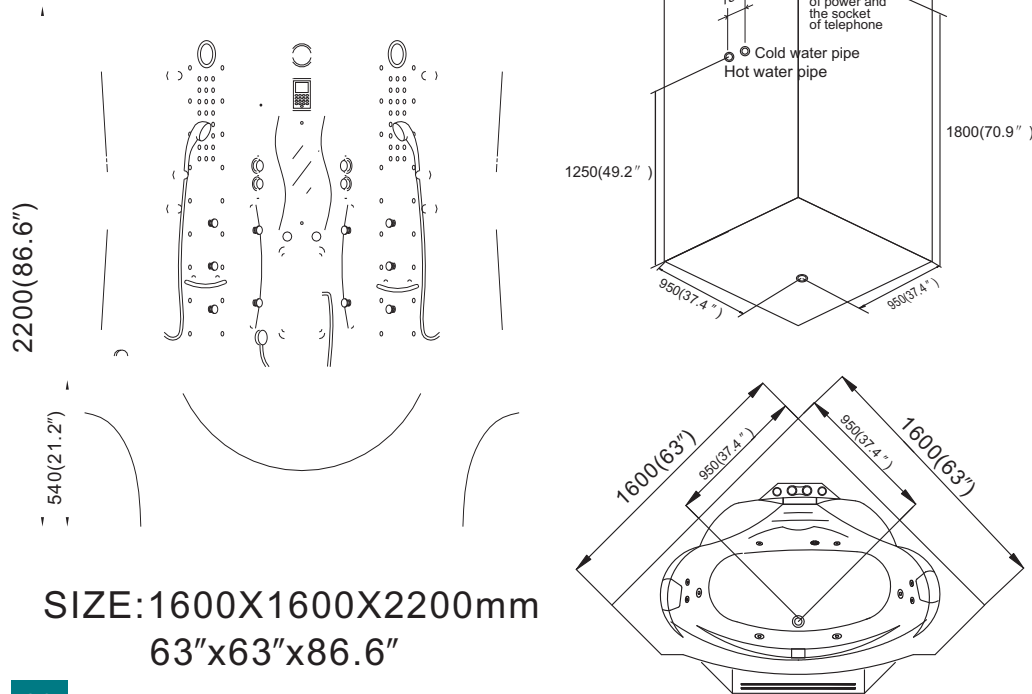
- |                         |                       |                          |
|-------------------------|-----------------------|--------------------------|
| 1.bottom bathtub        | 8.handrail            | 17.function shift switch |
| 2.exhaust fan           | 9.lamp board          | 18.water switch/mixer    |
| 3.control panel         | 10.decorated spot     | 19.handrail              |
| 4.moveable shower       | 11.body roof          | 20.water jet             |
| 5.function shift switch | 12.roof lamp          | 21.waist -shaped board   |
| 6.water switch/mixer    | 13.top shower         | 22.foot massage          |
| 7.water jet             | 14. body              | 23.steam out             |
|                         | 15.temperature sensor |                          |
|                         | 16.decorated lamp     |                          |

- 1、 back-acupuncture switch
- 2、 pump switch
- 3、 air conditioning
- 4、 waterfall
- 5、 water intake
- 6、 big nozzle(6PCS)
- 7、 drainage device
- 8、 drainage switch
- 9、 pillow



SIZE:1600X1600X2200mm  
63"x63"x86.6"

### INSTALLATION SKETCH



SIZE:1600X1600X2200mm  
63"x63"x86.6"

### ATTENTION

1. In order to be tripped and fell down, pay more attention when get into the steam room. Please don't shut the finger in the door in order to be hurt.
2. In order to avoid damaging the surface of products please do not use hardness and sharpness tool to curve the products.
3. In order to course fire, no smoking inside the bathroom.
4. the jets of steam and drainage pipe both are high temperature when products working, in order to be hurt please be careful.
5. In order to be tripped and fell down please keep clear of the bathtub after taking shower each time.
6. It will be leaking if the glass glue plastic sheet be off then please add some more for recover.
7. If there are marks of water please clear with soft cloth and toothpaste.
8. In order to be blocked of drainage device please keep clean of the surface of bathtub.
9. Please do not hang up heavy things on the steam room or the handle of steam room.
10. Please deal with the products according to the local laws when it is no longer be use.

### ATTENTION FOR USAGE

- 1、 check if power and cold/hot water switch be turn on or be turn off each time before use this product.
- 2、 check if power of electronic leakage device be get through or not.  
Checking way:  
Press testing button, light of power be off, press button of restart then light of power be on. It is not being what mentioned above after operated step by step, then that shows the electronic protection device out off control or there is something wrong with the electronic leakage device, so should ask professional to check and maintain the product.
- 3、 Turn off the main power of control panel after stop usage. The plug of power should be pull out because only turn off all the functions of control panel that is not stop the power.
- 4、 People with hypertension or drunk are not allowed to have sauna steam bath.
- 5、 Children should have sauna steam bath under adult's instruction.
- 6、 Please don't shut the finger in the door in order to be hurt when get into the steam room.
- 7、 In order to be tripped and fell down, pay more attention when get into the steam room.
- 8、 keep clean of the tray in order to be tripped and fell down.
- 9、 Pay attention to the steam sprayer and water tank drainage, they are in high

Attention:

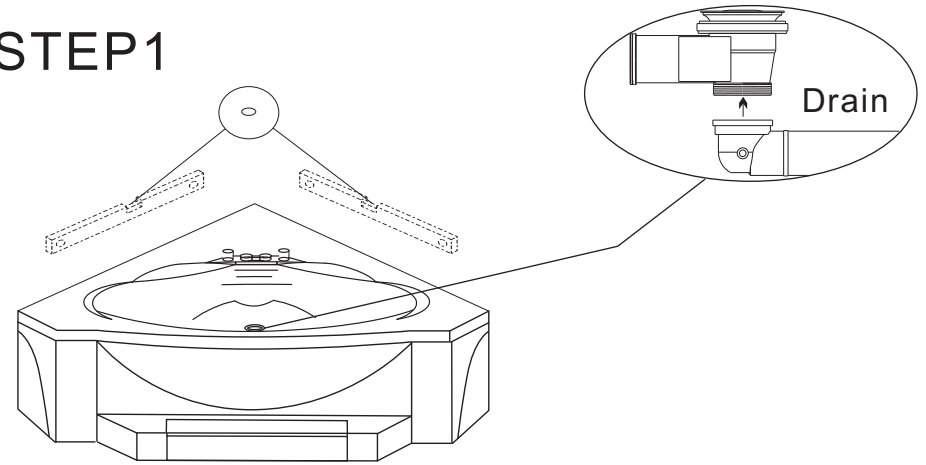
The machine must be fixed in the circuit which protected by creepage protection and should be well-connected with the ground. Nontechnical people can not be fixed or removed at random.

6、 Technical parameter

Model	Voltage	Current	Power	protecting electrifying	Waterproof Grade
KL-824	110V	25A	2650W	I	Ip4
Top light	Sidelight	Fan	Water inlet valve	Water drain valve	
20W	5W	3.5W	6W	7W	
AC12V	AC12V	DC12V	DC12V	DC12V	

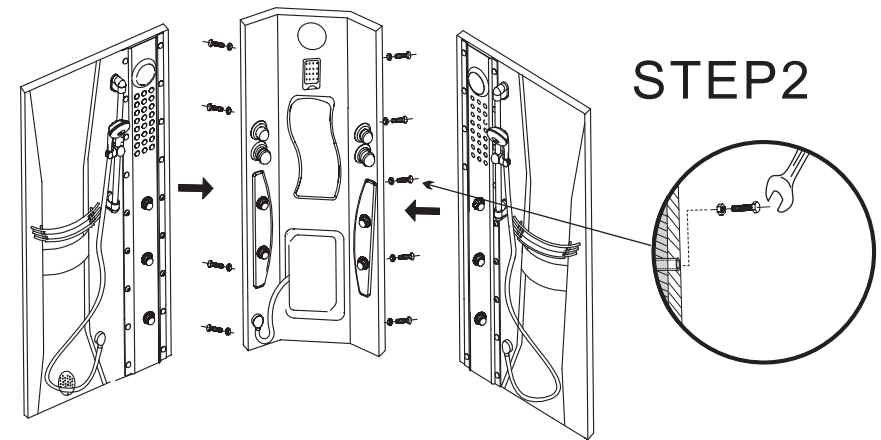
● INSTALLATION PROCESS

STEP1



1. Assembly of tray

If the ground is not smooth, please adjust the nail under the tray to keep the balance of the tray and ground.

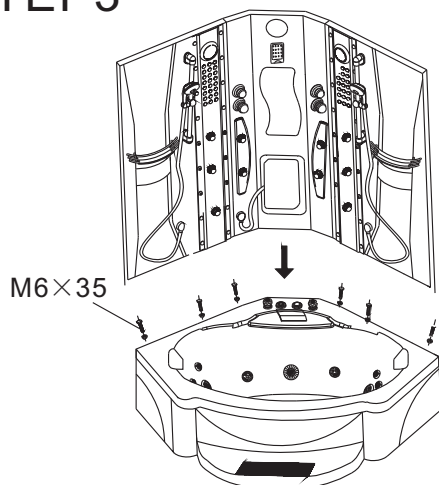


STEP2

2 Install the shower body

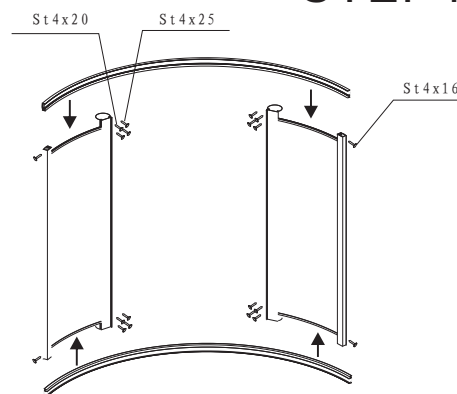
Follow the installation process install the left middle and right side shower body, fix it with M6\*35 screws.

## STEP3



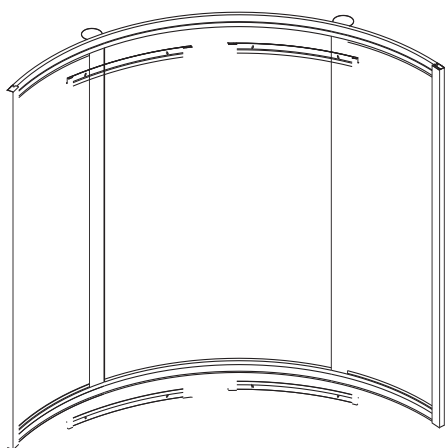
3. Install the shower body onto the tray  
Put the shower body onto the tray, fix it with M6\*35 screws.

## STEP4





4. Assembly of fixed glass door  
Put the left and right side fixed door into the up and down aluminum track to keep it balance, fixed them with ST 4 \* 2 0 screws , ST 4 \* 2 5 screws, ST4\*16 screws.

## STEP5



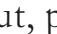


5. Assembly of sliding door  
put the sliding door into the up and down aluminum track to keep it balance.


(1) The electrical pitch

Press  pitch can open the machine, the temperature is the room temperature. The time will show 30m. At the same time, it will open the ceiling lamp. Press  again will close all the functions. (After the closure of the machine, the water case will drain for 2 minutes)


(2) The application of the back lamp

Press , the sidelight is on. Press  again, the ceiling lamp is out, press  a third press, the sidelight is out too.

3) The steam function



Press , startup the steam function, the water case will pump water automatically. After 60 minutes or so, it will generate steam. (When the water case is lack of water, the controller will replenish automatically)

(4) The air draft function

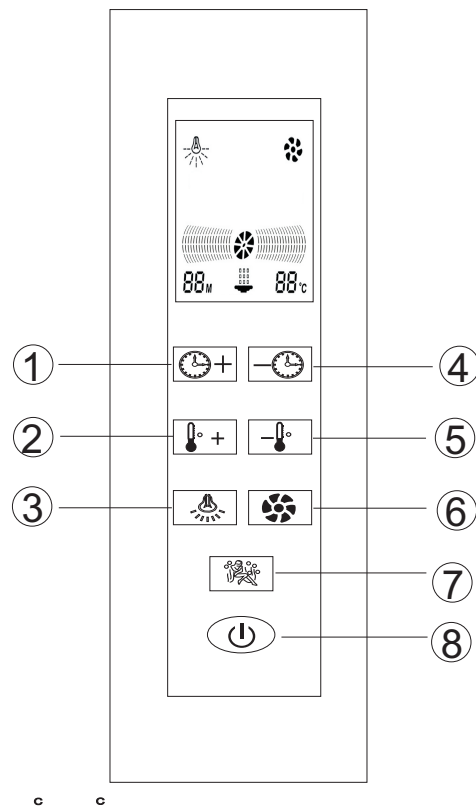
Under the condition of turning on, press  can start up air draft function, press again will close it.

(5) The setting of time or temperature

1. Press   pitch can adjust the time from 1-99.

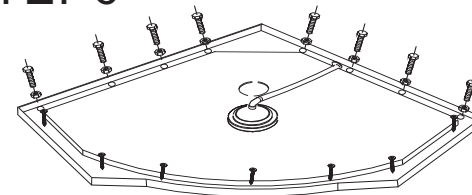
2. Press   pitch can adjust the temperature from 30-60 .



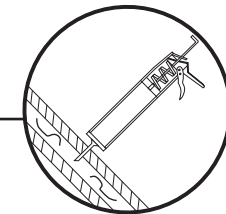
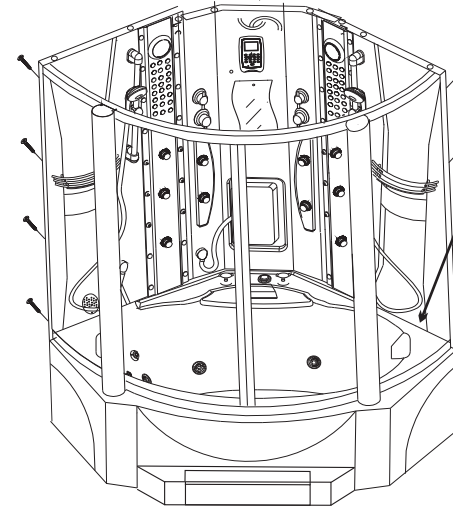


- ① Time adjustment pitch+
- ② Temperature adjustment pitch+
- ③ CeilingLamp/Back Lamp pitch
- ④ Time adjustment pitch-
- ⑤ Temperature adjustment pitch-
- ⑥ Fan Pitch
- ⑦ Steam Pitch
- ⑧ Main Cock Pitch

## STEP6

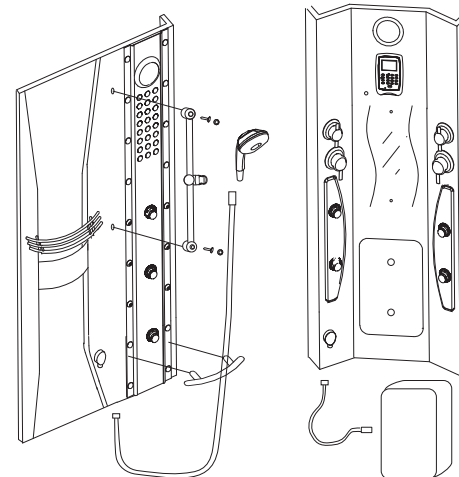


6. Install the glass door onto the tray  
Put the plastic pad onto the aluminum post of glass door,if the length of the plastic is not suitable for the aluminum post,you can cut it in suitable size,then put it on the tray,screw with bolts.



7. install the roof  
Leave the roof onto the top of shower body,then fix tightly with bolts.Then install spare parts.

## STEP7



A. Finish assembling the whole set,in order to avoid water and steam leaking,except the position of sliding glass door do not use the silicone, the silicone should be used on all else connecting position .



B. While connecting the cold and hot water pipe,wipe the silicone on the connecting mouth to make it will be connected very well.

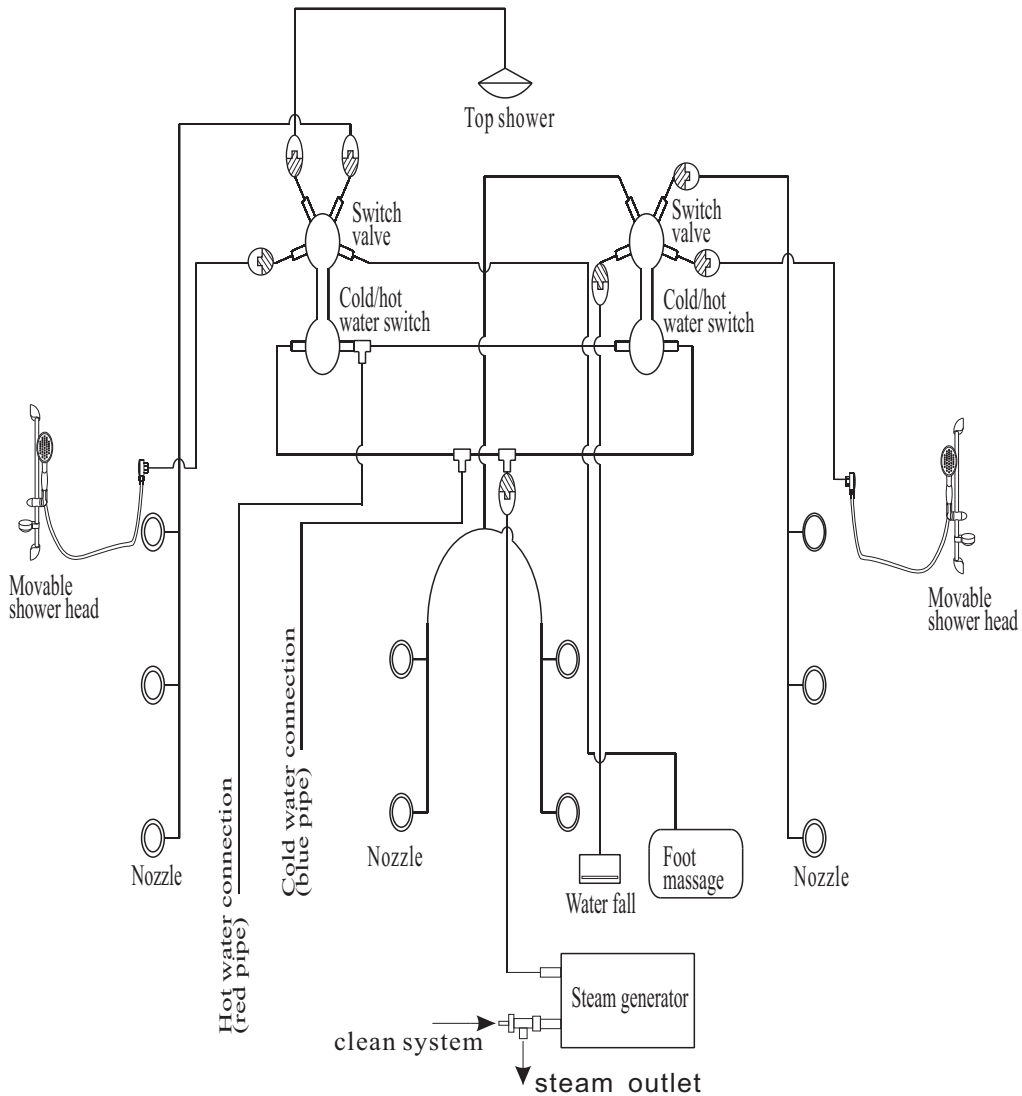
C. Sketch map of pipe connection(show as the picture).

D. Assembly of spare parts(shower and so on)

Afer all spare parts have been installed well,put on the power supply and cold/ hot water switch to check whether all functions work normally. If not,please install again.

● DRAWING OF WATER CONNECTION

As the “” “” from the picture, please make the connection according to the serial number v1,v2,etc.



● DRAWING OF ELECTRICITY CONNECTION

