

ARIEL

KENSINGTON 61" DOUBLE SINK VANITY SET

MODEL: D061D

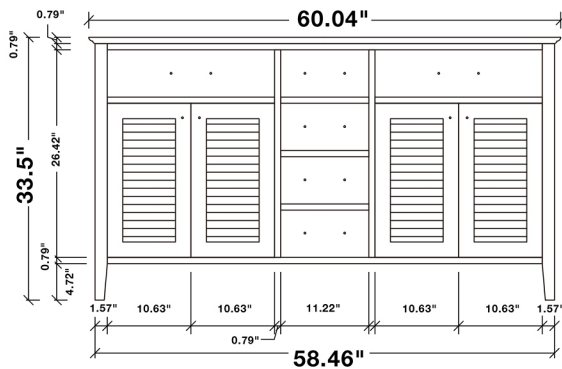
Cabinet Size	60"W x 21.5"D x 33.5"H
Mirror Size	59"W x 39"H
Features	<ul style="list-style-type: none"> • Solid Wood Construction • Four Soft-Closing Doors • Four Full-Extension, Dove-Tail Construction, Soft-Closing Drawers • Satin Nickel Finish Hardware • Matching Framed Mirror Included



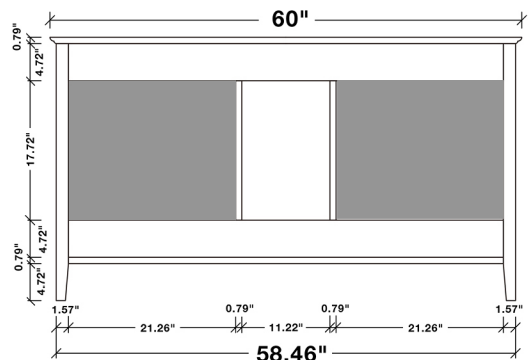
COLLECTION:

ARIEL KENSINGTON

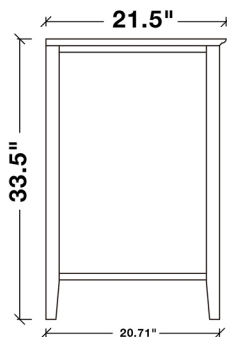
FRONT



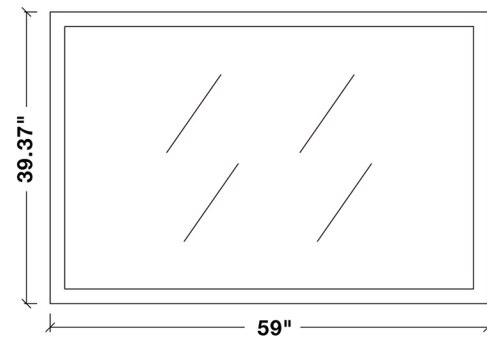
BACK VIEW



SIDE VIEW



MIRROR VIEW



ARIEL

CARRARA WHITE MARBLE COUNTERTOP

MODEL: D061D-CT

Dimensions

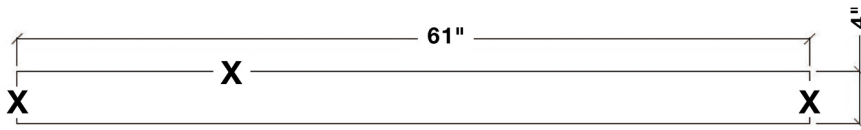
61"W x 22"D x 1.5"H

Features

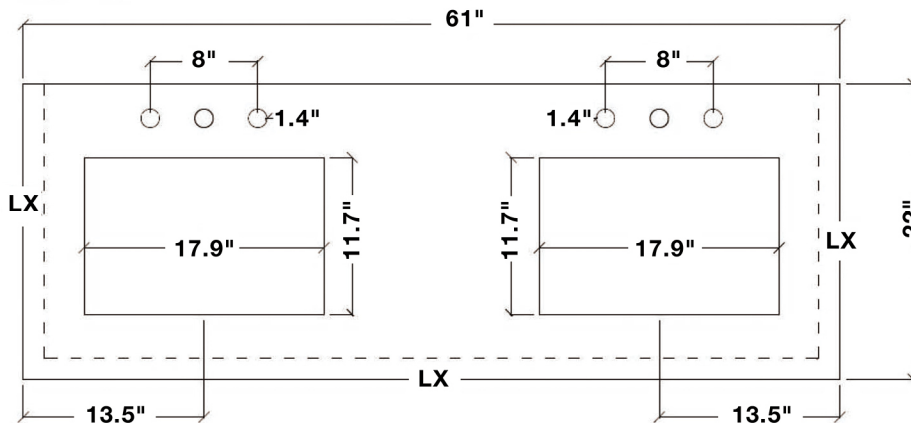
- Carrara White Marble Countertop w/ 1.5" Edge and Matching Backsplash
- Countertop Pre-Drilled for 8" Widespread Faucets
- One Ceramic, Rectangular, UPC Certified Under-Mount Sink
- Matching Backsplash Included

All stone tops are finished by hand, pre-drilled for 8" widespread faucets, and double-sealed for scratch resistance and long term durability.

BACKSPLASH



TOP VIEW



1.5" EDGE SIDE VIEW

