

2603CTWMWP – EVERYDAY TUB/SHOWERS

60 x 32 x 75 inches

SOAKER MODEL #2603CTWM

WHIRLPOOL MODEL #2603CTWMWP



FEATURES

- Tub-shower
- Textured tile finish
- Ergonomic backrest
- Molded toiletry shelves
- Above-floor rough
- Slip-resistant textured bottom
- Left or right hand drain
- AcrylX™ applied acrylic surface
- Lifetime limited warranty

Whirlpool Features:

- 4 directional hydrotherapy jets
- Color matched or clear trim
- Pneumatic on/off control
- Advanced safety suction system

OPTIONS

- Removable access panel (whirlpool models)
- Grab bar reinforcement
- Factory installed assisted care grab bars
- Dome (East zone only)
- Designer drain, waste & overflow
- Shower Door Series L0516

AQUATIC ADVANTAGE

- National distribution
- 6 manufacturing facilities
- Private fleet
- Centralized customer service
- Field support

COLOR AND TRIM OPTIONS

Stock	Upgraded	Premium
White (C)	Almond (NA) Linen/Biscuit (C) Bone (C)	Black (NA) Mexican Sand (NA) Sand Bar (NA) Sterling Silver (NA)

C = color matched trim NA = not applicable* color not available for whirlpool models

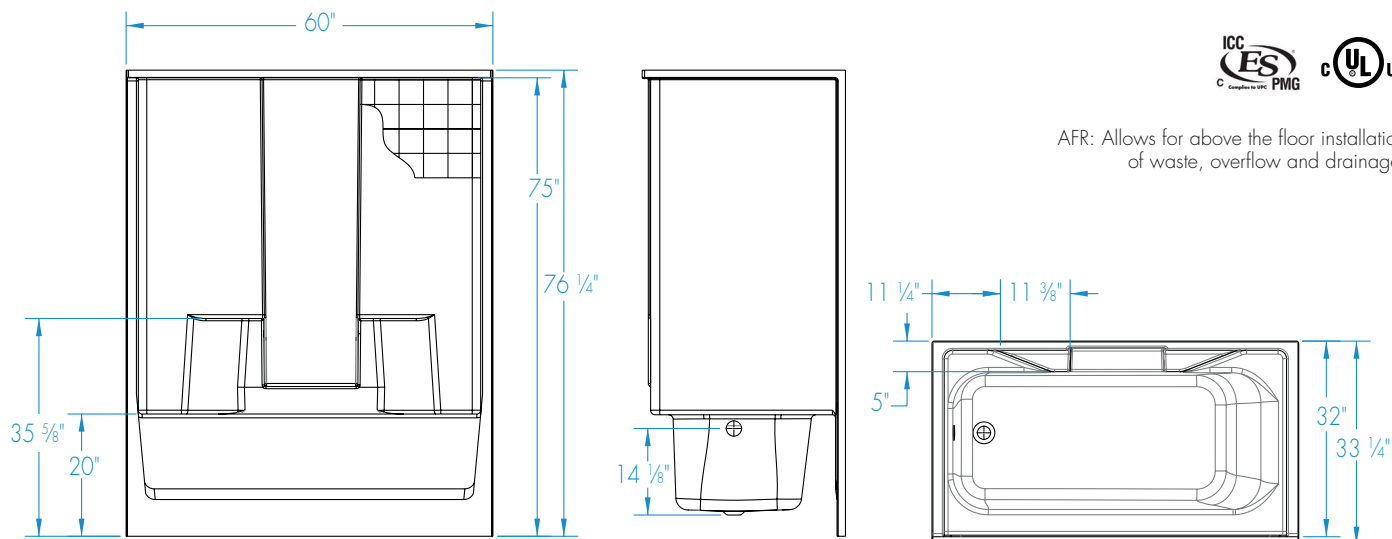


2603CTWMWP

60 x 32 x 75
inches



AFR: Allows for above the floor installation of waste, overflow and drainage.



FEATURES lbs Dimensional Tolerance $\pm 3/8"$. Dimensions needed for site preparation should be measured from the unit. Aquatic assumes no responsibility for preparatory work.

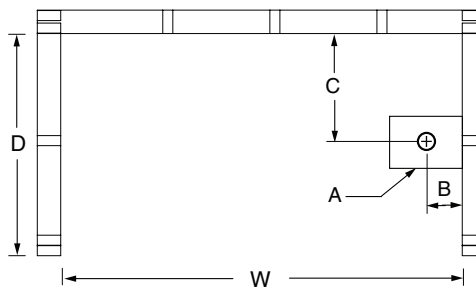
Model #	Material	Wall Finish	Jets	Motor	Controls	Drain	Net Wt.	Pkg. Wt.
AFR Tub-Shower #2603CTWM	AcrylX™	Textured Tile	-	-	-	LH or RH	128	133
AFR Whirlpool #2603CTWMWP	AcrylX™	Textured Tile	4	63 GPM	Pneumatic	LH or RH	178	183

DIMENSIONS

Specifications	inches
Width: Overall / Net	60
Depth: Overall / Net	33 1/4 / 32
Height: Overall / Net	76 1/4 / 75
Enclosure Opening	56
Skirt Height	20
Drain Rough-In (from Back Wall)	15
Drain Rough-In (from Side Wall)	2 1/2
Drain: Diameter / Clearance	2 / 3 3/4

FRAMING DIMENSIONS inches

Type	D Depth	W Width	H Height	A	B	C
Alcove	33 1/4	60 1/8	-	Box Out	2	15



SUMP DATA

Top of Drain to Bottom of Overflow	Capacity to Overflow gal	Min. Operating Capacity gal	WIDTH @ centerline		DEPTH @ centerline	
			Top	Bottom	Top	Bottom
12 1/4	50	-	53	43 1/2	22 1/2	20 1/2