

2603BSTWP – EVERYDAY TUB/SHOWERS

60 x 36 ¼ 42 x 77 ¼ inches

SOAKER MODEL #2603BST

WHIRLPOOL MODEL #2603BSTWP



FEATURES

- Tub-shower
- Smooth tile finish
- Integral bowed skirt
- Ergonomic backrest
- Molded toiletry shelves
- Slip-resistant textured bottom
- Left or right hand drain
- AcrylX™ applied acrylic surface
- Lifetime limited warranty

Whirlpool Features:

- 6 directional hydrotherapy jets
- Color matched or clear trim
- Pneumatic on/off control
- Advanced safety suction system

OPTIONS

- Designer drain, waste & overflow

AQUATIC ADVANTAGE

- National distribution
- 6 manufacturing facilities
- Private fleet
- Centralized customer service
- Field support

COLOR AND TRIM OPTIONS

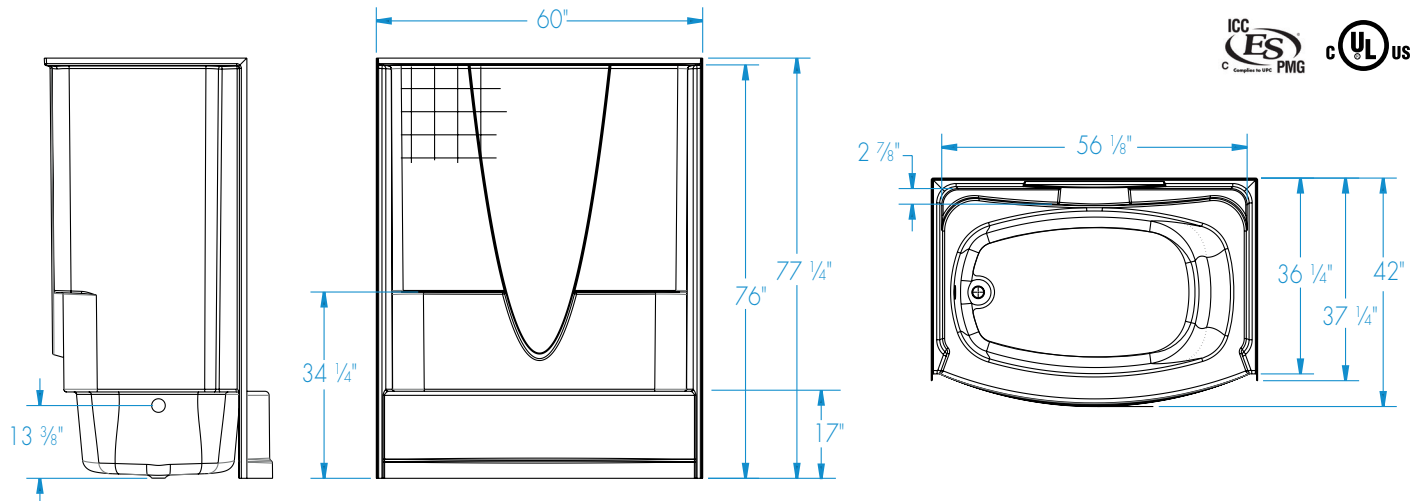
Stock	Upgraded	Premium
White (C)	Almond (NA) Linen/Biscuit (C) Bone (C)	Black (NA) Mexican Sand (NA) Sand Bar (NA) Sterling Silver (NA)

C = color matched trim NA = not applicable* color not available for whirlpool models



2603BSTWP

60 x 36 1/4 - 42 x 77 1/4
inches



FEATURES lbs Dimensional Tolerance $\pm 3/8"$. Dimensions needed for site preparation should be measured from the unit. Aquatic assumes no responsibility for preparatory work.

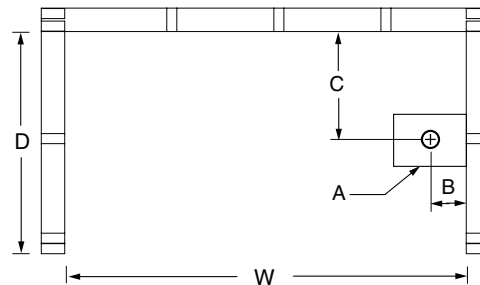
Model #	Material	Wall Finish	Jets	Motor	Controls	Drain	Net Wt.	Pkg. Wt.
Soaker #2603BST	AcrylX™	Smooth Tile	-	-	-	LH or RH	149	154
Whirlpool #2603BSTWP	AcrylX™	Smooth Tile	6	63 GPM	Pneumatic	LH or RH	199	204

DIMENSIONS

Specifications	inches
Width: Overall / Net	60
Depth: Overall / Net	36 1/4 - 42
Height: Overall / Net	77 1/4 / 76
Enclosure Opening	56
Skirt Height	17
Drain Rough-In (from Back Wall)	21 1/8
Drain Rough-In (from Side Wall)	2 7/8
Drain: Diameter / Clearance	2 / 1

FRAMING DIMENSIONS inches

Type	D Depth	W Width	H Height	A	B	C
Alcove	37 1/4	60 1/8	-	Box Out	2 7/8	21 1/8



SUMP DATA

Top of Drain to Bottom of Overflow	Capacity to Overflow gal	Min. Operating Capacity gal	WIDTH @ centerline		DEPTH @ centerline	
			Top	Bottom	Top	Bottom
12 1/4	49	47	50 3/4	43 7/8	29 7/8	27 7/8