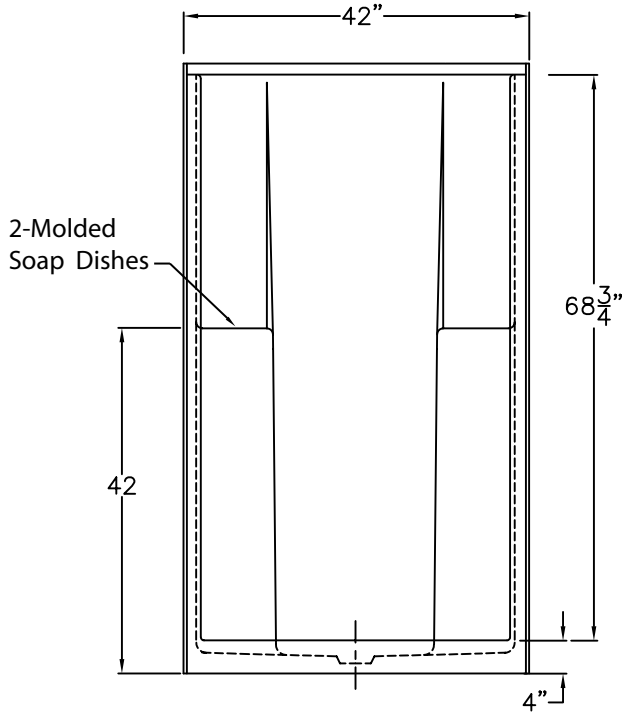


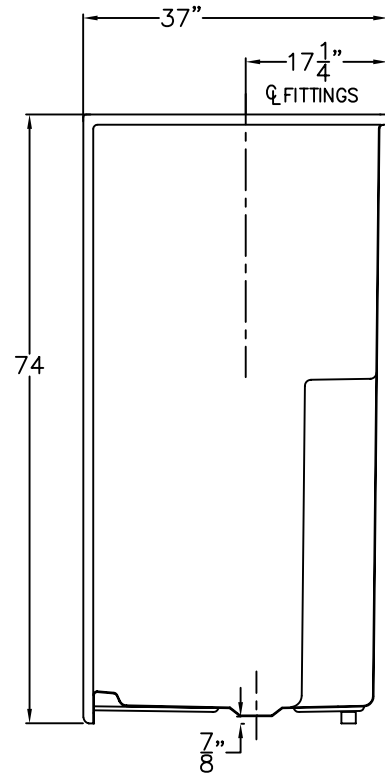
LUXURY GELCOAT SERIES

SUBMITTAL DATA

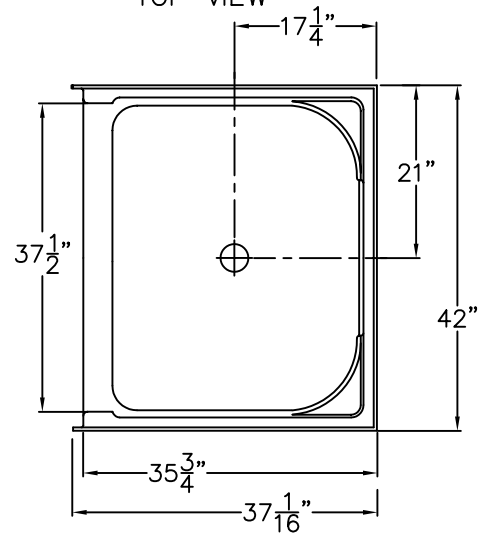
FRONT VIEW



SIDE VIEW



TOP VIEW



Center drain shower with two molded soap dishes.
Unit complies with ANSI Z124.1-2, NAHB, and UPC.

DUE TO THE NATURE OF THE MATERIALS
DIMENSIONS MAY VARY ± 1/2"

Job Name:	AQUARIUS	
Model No.:	Drawing#: G 4236 SH	
Approved by:	Date Approved:	Date: 2-9-07 Revised: 7-7-11
Rep.:	Wholesaler:	Quote No.:

PRAXIS INDUSTRIES, LLC.
435 INDUSTRIAL ROAD, SAVANNAH, TN 38372
1 (800) 326-5489 - FAX (888) 246-0466