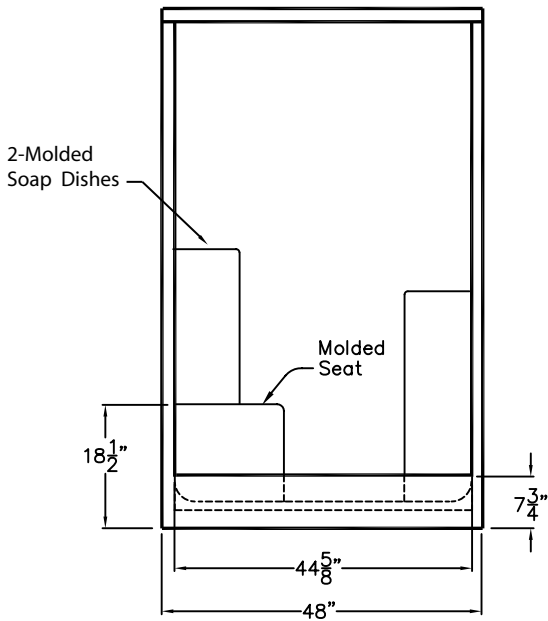


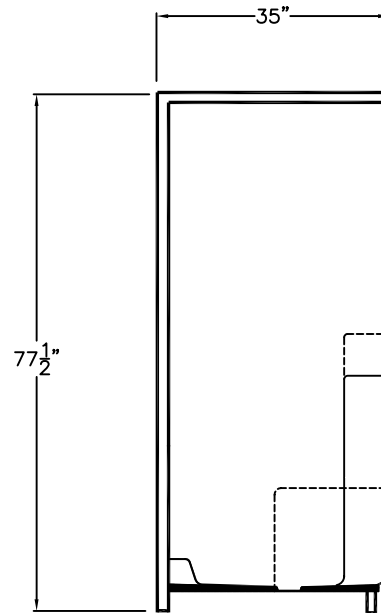
# LUXURY GELCOAT SERIES

## SUBMITTAL DATA

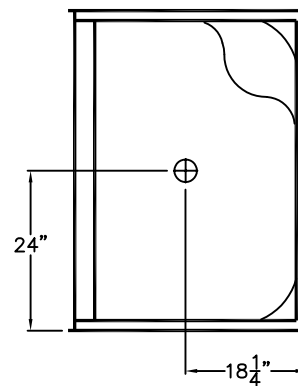
FRONT VIEW



SIDE VIEW



TOP VIEW



Center drain shower with two molded soap ledges and one molded seat for bathing comfort.

Left and right handed models available.

Unit applies with ANSI Z124.1-2, NAHB, and UPC.

DUE TO THE NATURE OF THE MATERIALS  
DIMENSIONS MAY VARY ± 1/2"

Job Name:		AQUARIUS	
Model No.:		Drawing#: G 4887 SH 1S	
Approved by:	Date Approved:	Date: 5-24-07	Revised: 7-7-11
Rep.:	Wholesaler:	Quote No.:	

PRAXIS INDUSTRIES, INC.  
435 INDUSTRIAL ROAD - SAVANNAH, TN 38372  
1 (800) 443-7269 - FAX (901) 925-4290