



Gelcoat Shower and Tub Shower Installation Instructions

Tools you might need for proper installation

- Galvanized Nails or Screws
- Large Level
- Hammer or Screw Gun
- Shims
- Adhesive

Thank you for purchasing Praxis Bathware. For best results, please read and follow all directions carefully.

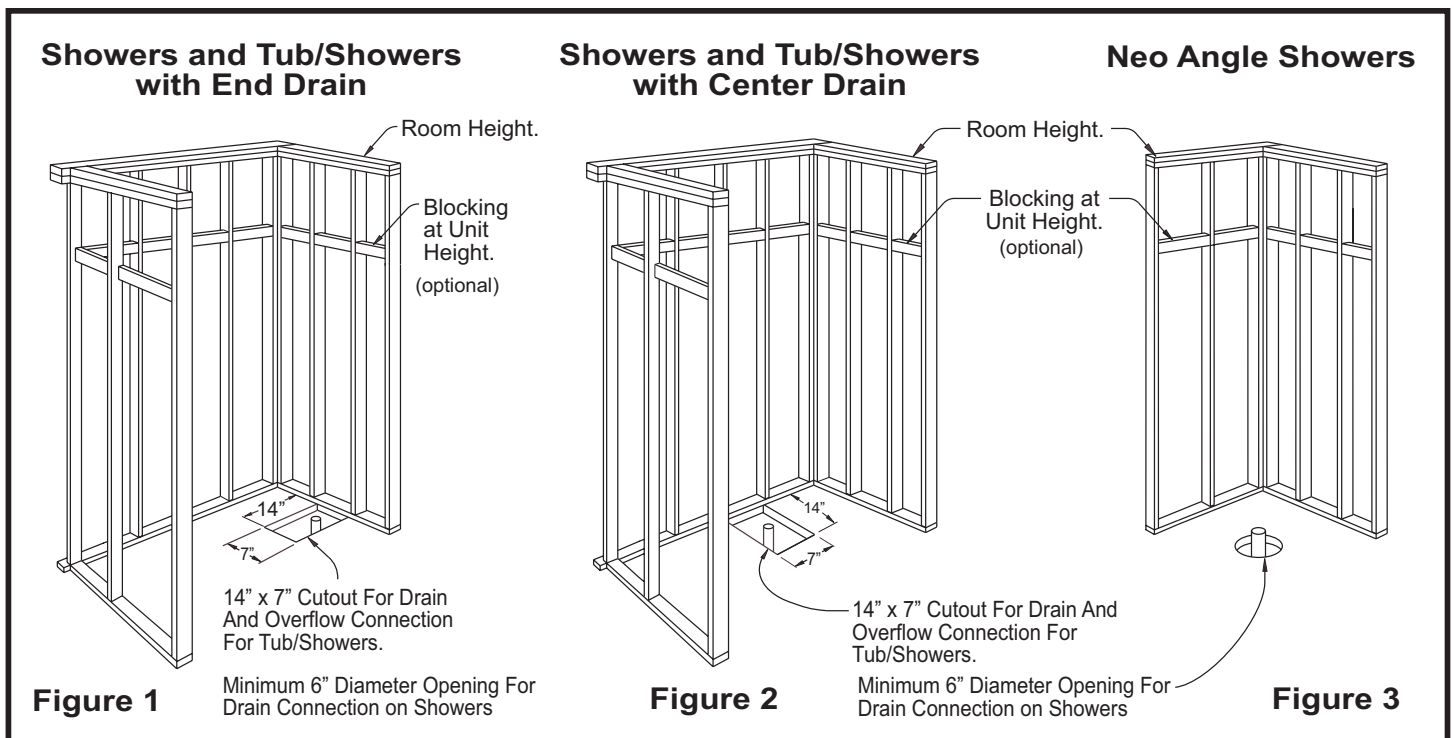
PRE-INSTALLATION PLANNING

1. Please do not store units out of doors. - Keep out of sunlight and exposure to weather.
2. Review **Figures 1, 2 and 3** to make sure alcove is the proper size. If a fire rated alcove is required, adjust framing size to compensate for approved finish materials. Fire rated materials must be installed prior to unit installation.
3. Access to drain and supply connections should be provided so that these connections may be made after the unit has been installed. Inside dimensions of framing alcove must reflect outside dimensions of bathing unit to permit installation. Framing must be solidly fastened to sub floor and ceiling framing members. Note in diagram the required opening in the floor to provide clearance for the drain fitting and connection.
4. Each manufactured unit is made with the intent of

being shimmed upon installation. This compensates for any settling or slope that may have occurred at the job site floor. The shims are included with the unit, packed inside a plastic bag. The shims need to be placed under the unit after it is put into place and is being leveled.

INSTALLATION PROCEDURE

1. Make certain your stud framing alcove is sized correctly and is square and plumb. You may prefer to complete framing of the back wall and the plumbing end wall then frame out the opposite end wall after the unit has been set.
2. Finish rough plumbing, but leave unstrapped at this stage. Find drain line and trap locations as shown in the applicable Framing Diagram. Refer to Framing Diagrams for recommended opening in the floor to permit clearance and allow connection of the drain assembly.
3. Locate supply lines for mixing valves, spout, and shower. The shower head may be positioned through the





Gelcoat Shower and Tub Shower Installation Instructions

wall of the unit or in the wall above. Measure and mark locations of fittings on the finished side of the unit. Recheck locations and drill 1/4" pilot holes. Cut holes to final size using the appropriate size hole saw.

4. Drain and/or Overflow assembly should be installed on unit according to the manufacturers instructions. Apply a bead of silicone caulk, or plumber's putty around the drain opening in unit before installing the fitting.

5. Now move unit into place. Position the unit at the open end of the framed pocket. Align the lower edge of the apron in approximate position and tilt back into place.

6. Plumb and level the unit in two directions: Place a level on top of the apron or shower dam and along the finished flat area at the top of each endwall. Install provided shims under the unit as described the Pre-Installation Planning section.

7. Place shims under the unit after it is put into place and as it is being leveled. Apply an adhesive to the bottom of each shim to permanently secure into place. To ensure proper fit, support and a solid base, a minimum of two shims must be used on each unit. **See Figure 4** for additional details.

8. If there is any space between the bottom of the apron and the sub-floor, this gap should be filled with floor leveling compound.

9. Mount unit to framing with 6d galvanized nails or screws through the mounting flanges, 8" on center vertically, and to all studs horizontally. Drilling holes for fasteners is recommended.

10. Make connections to supply and drain lines. Strap all lines to the framing. Install finish trim and caulk. Check for leaks before closing off plumbing access.

11. Install wallboard along unit. Wallboard should be installed so it covers the mounting flanges and mounting screws or nails. **See Figure 5**

CAUTION

Use of a RUBBER FLOOR MAT is not recommended, however, if you choose to do so, please remove after each use and dry both the mat and the unit. Use of a rubber mat may cause blisters or damage to the finish and will void your warranty.

Place Support Wedges

Place the shims under the bottom back edge of the unit after it is put into place and leveled. Apply an adhesive to the bottom of each shim to permanently secure it in place. A minimum of two shims must be used on each unit to ensure proper support and a solid base.

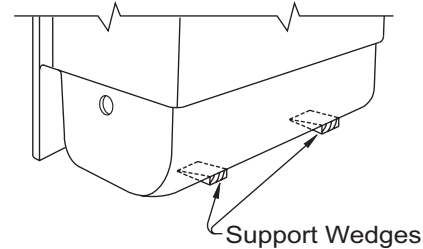


Figure 4

Install and Finish Wall Board

Install wallboard so it covers the mounting flanges of the bathing unit. Leave a small gap between the finished surface of the bathing unit and edge of the wallboard. Apply caulking to fill the gap.

Fasten wallboard to framing studs. Tape seams and finish wall board as typical.

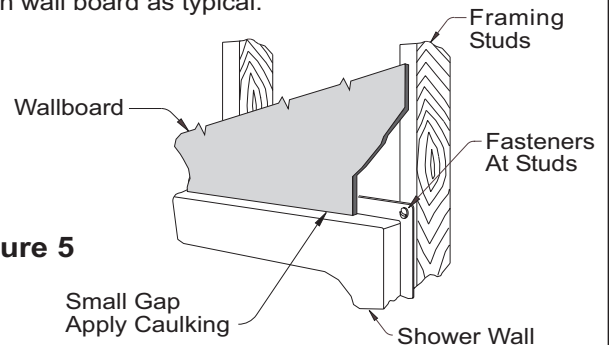


Figure 5

CARE AND CLEANING

Do not use caustic or abrasive cleaners on the unit. Avoid harsh abrasive or gritty scouring powders. To clean the unit, simply use a household liquid detergent with a soft sponge or cloth and warm water. More persistent stains, tar, or paint can be removed with mineral spirits. Remove excess plaster by scraping with a sharpened soft wood stick. Avoid wire brushes, metal scrapers or tools. Restore dull areas by rubbing with an automotive type body cleaning compound.

Praxis Companies LLC

435 Industrial Road | Savannah, Tennessee 38372 | Tel: (800) 443 7269 | Fax: (731) 925 0379

www.praxiscompanies.com