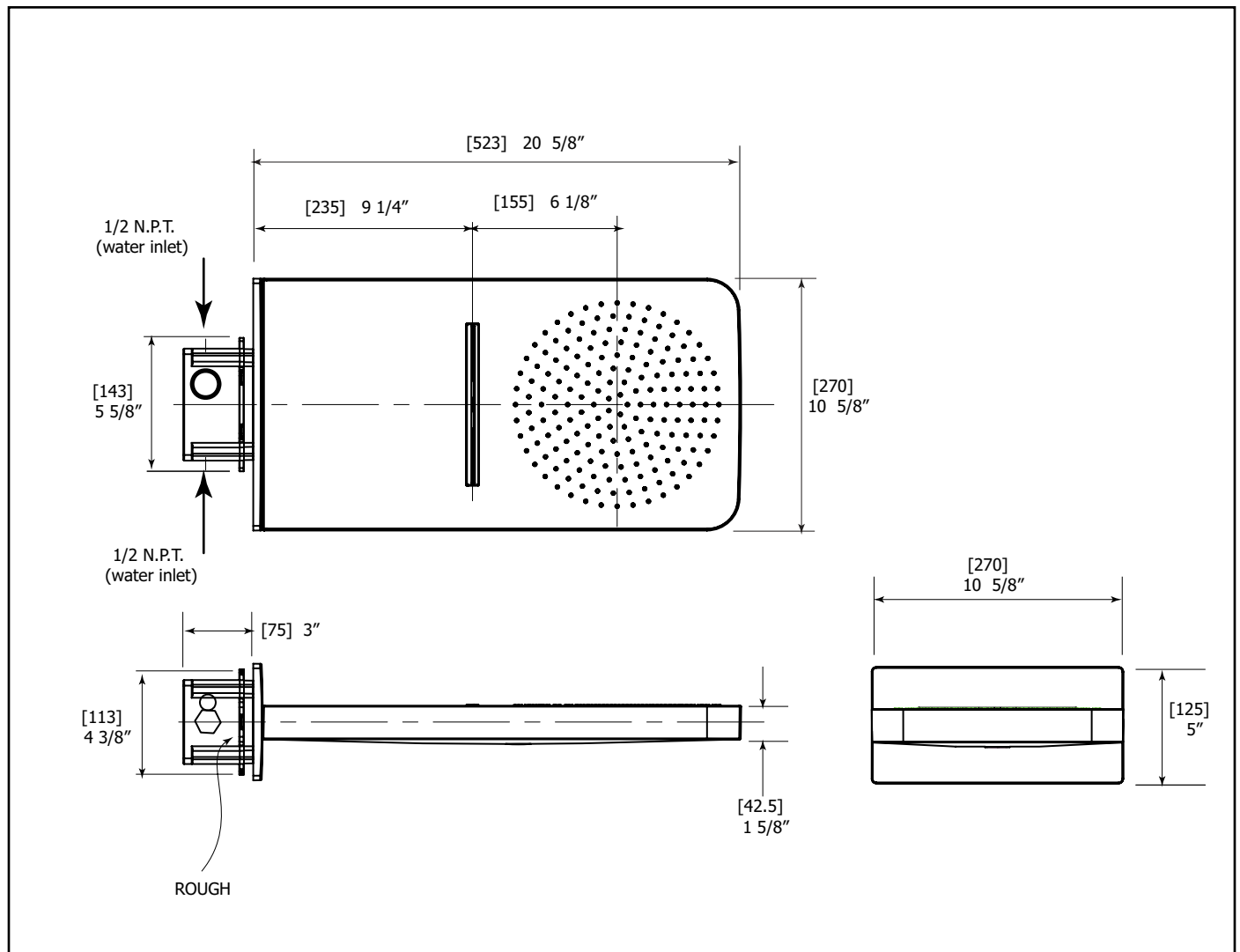


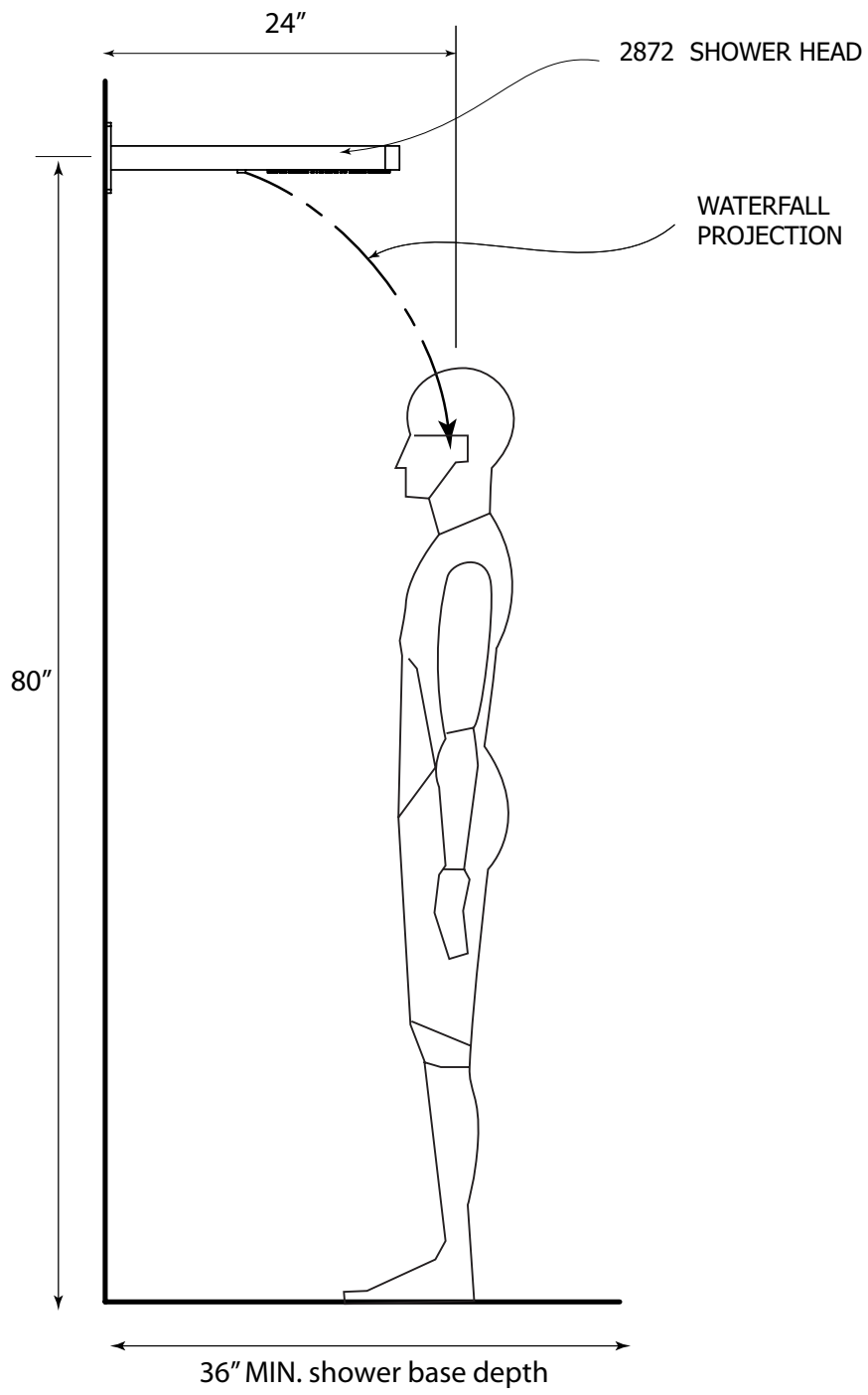
## TECHNICAL SPECIFICATIONS

### FEATURES:

- Dual functions shower head
- Waterfall and rainhead with air-infused
- 2.2 GPM with regulator
- 2 seperated water inlets (1/2 NPT)



**SERVICE PARTS**



## SERVICE PARTS

