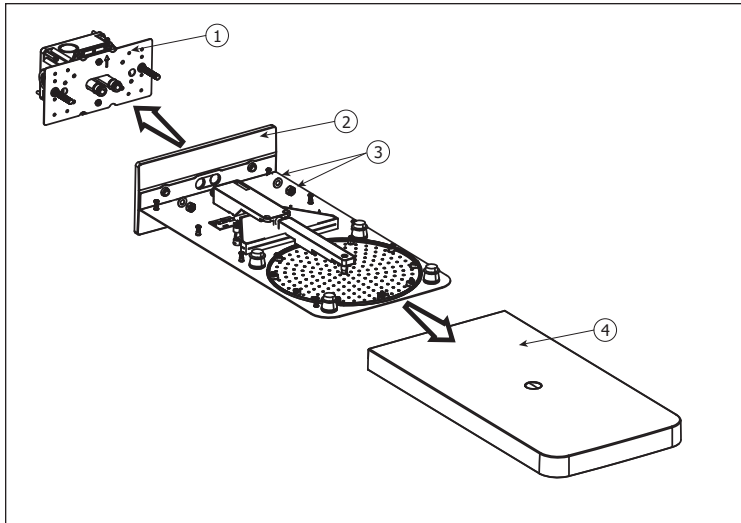
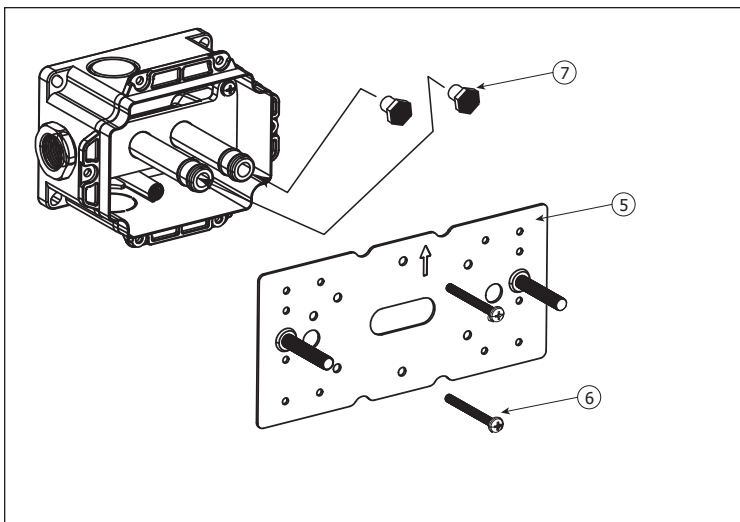


INSTALLATION PROCEDURES



STEP #1

Remove the cover (4) and detach the rough (1) from the body (2) by unscrewing the nuts & the washers (3)



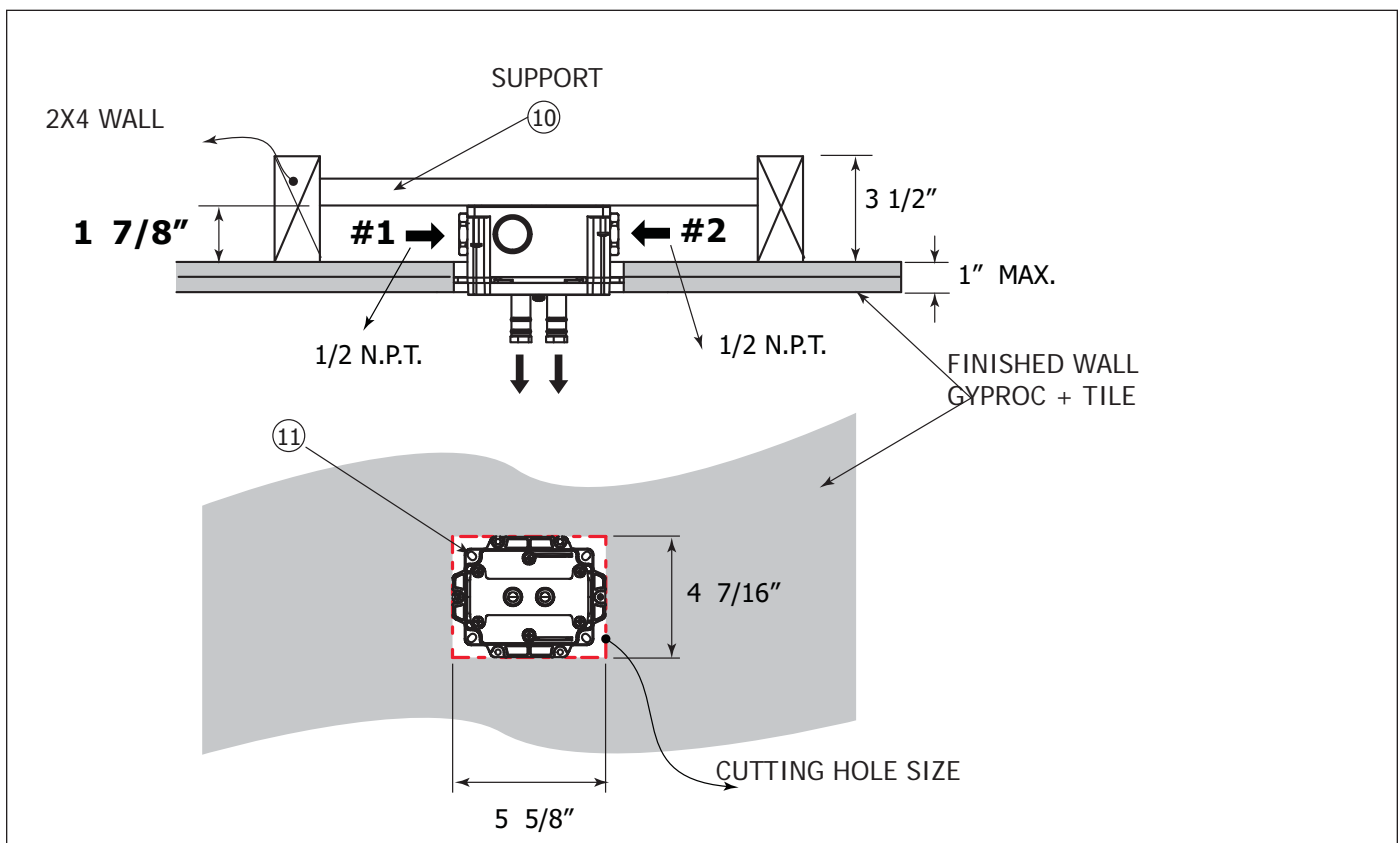
STEP #2

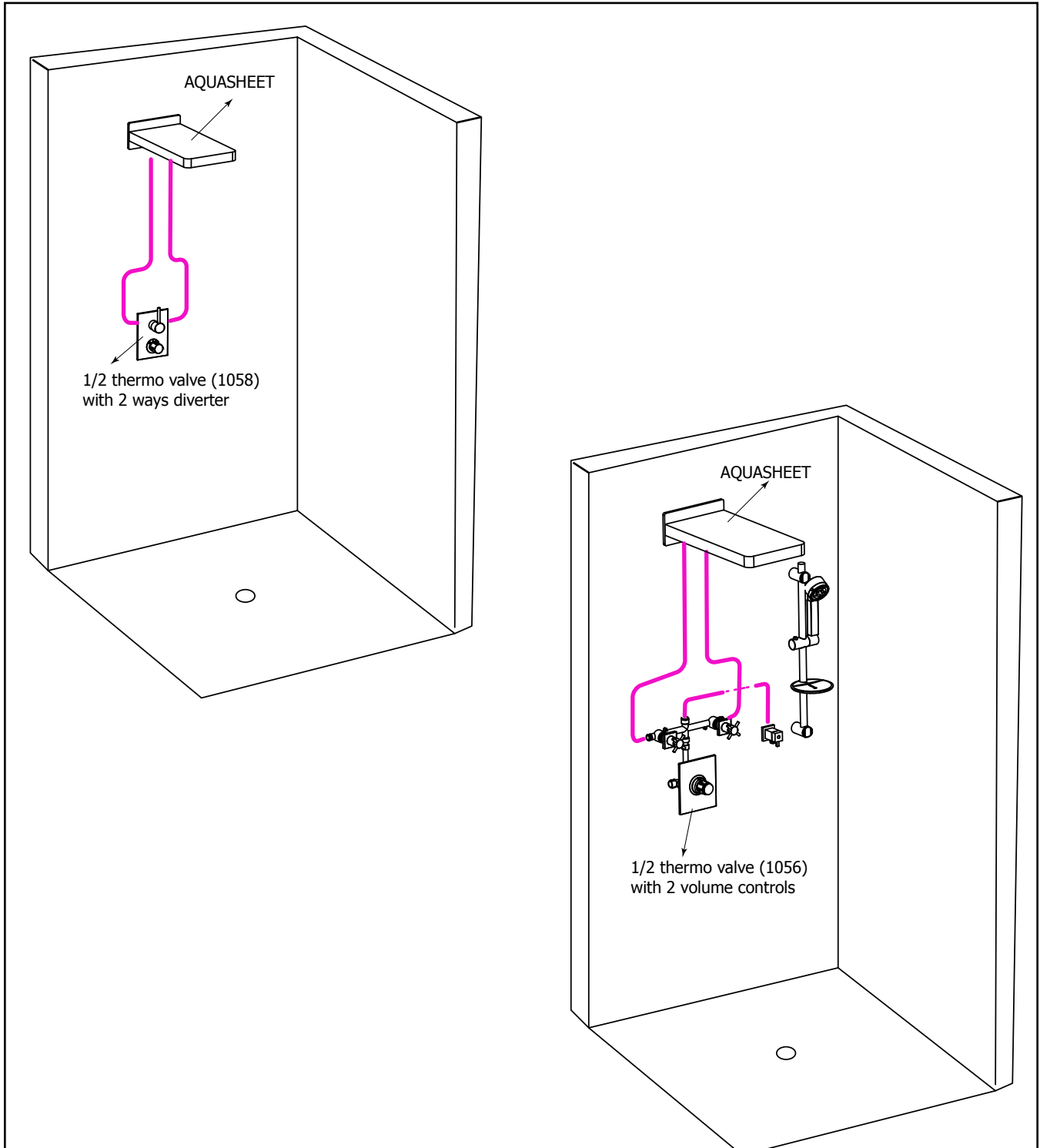
Remove the plate (5) by unscrewing the screw (6) and install the sealed plugs (7) to the outlets .

INSTALLATION PROCEDURES

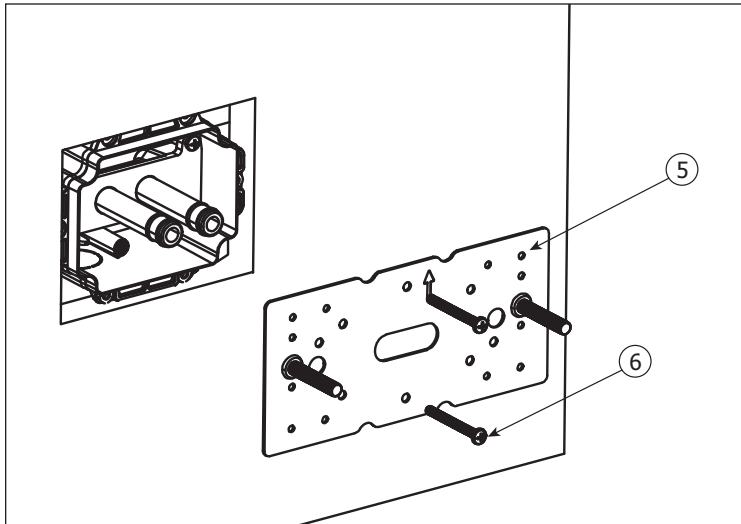
STEP #3

- Install the rough in the exact depth (**1 7/8"**). It's recommended to fit the support (10) in the back of the rough and secure it the 4 screws supplied (11)
- Connect the mixed water to 2 inlets #1 & #2. (Please consult **The suggested shower layout**)
- Install the gyproc and tile with the **exact cutting hole size** recommended



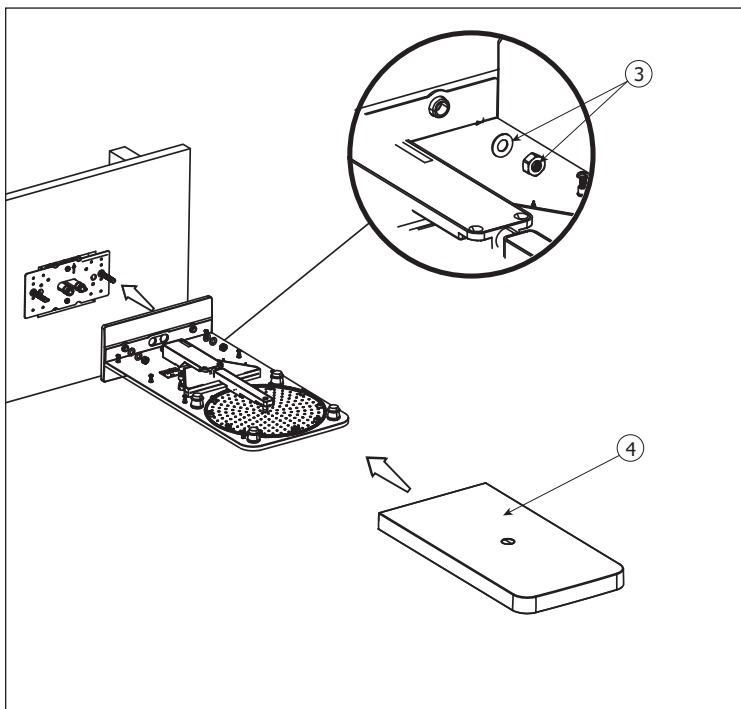


INSTALLATION PROCEDURES



STEP #4

Install the plate (5) against the finished wall. Secure with 2 screws (6)



STEP #5

Put back the unit and secure the washers and nuts (3) . Finish with the cover (4)

note: Make sure that the sealed plug must be remove before install the main unit.