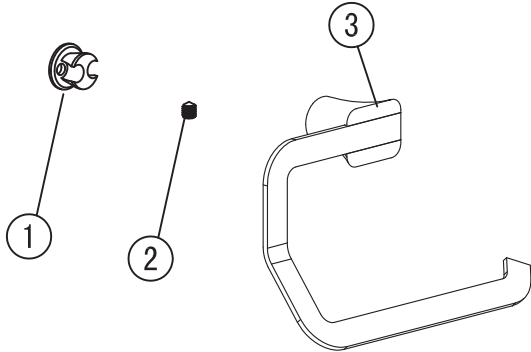




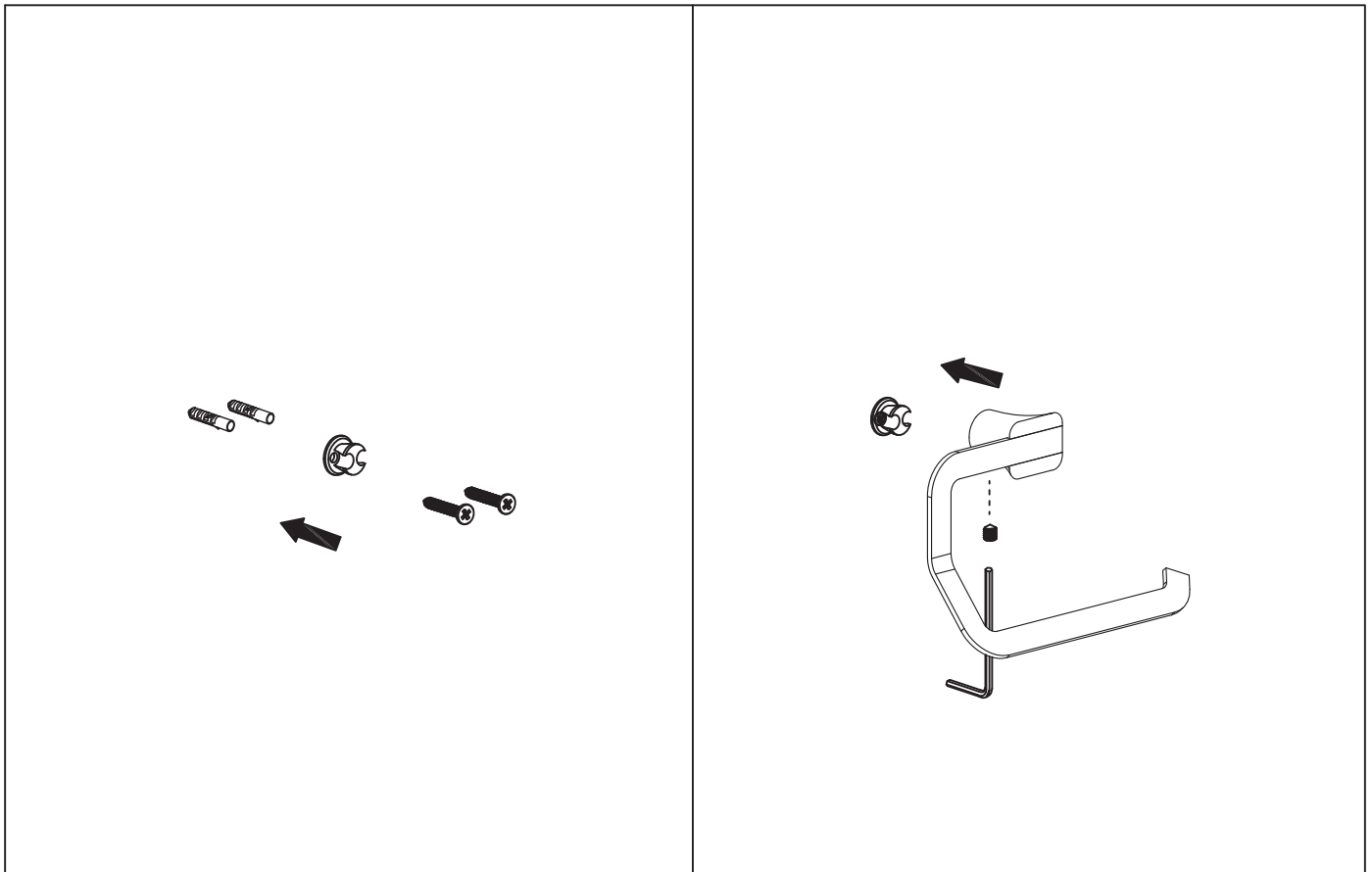
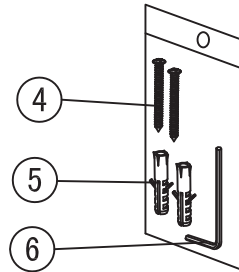
ANZZI™

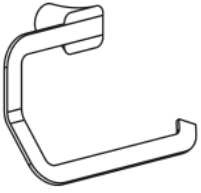
AC-AZ054

Have questions? Call us at 1-844-44-ANZZI or visit us at www.ANZZI.com.



Code	The Accessory List	Quantity
1	Fixing base	1
2	Screw	1
3	Tissue holder	1
4	Screw	2
5	Plastic insert	2
6	Allen key	1

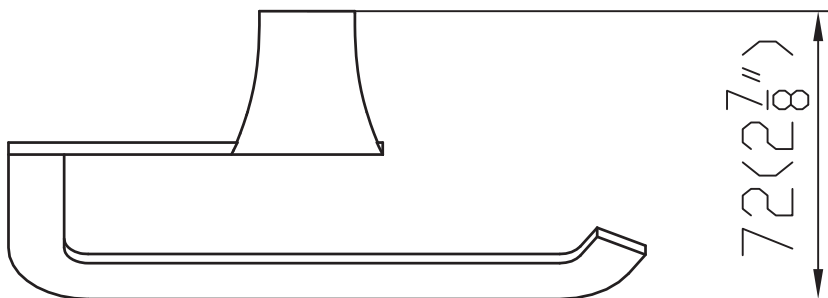
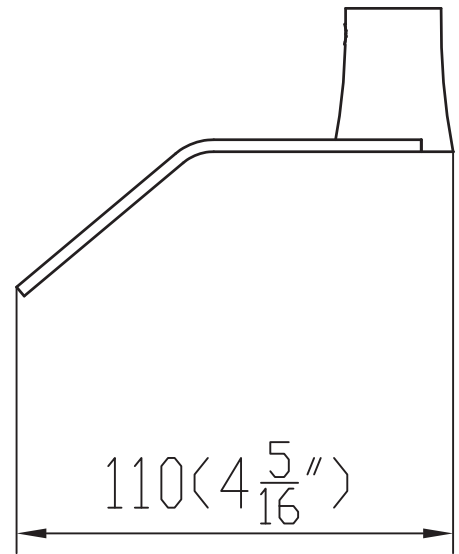
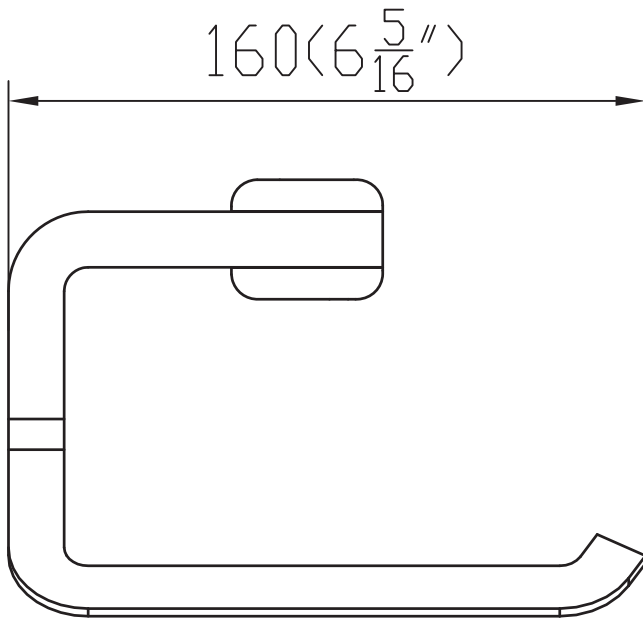




ANZZI™

AC-AZ054

Have questions? Call us at 1-844-44-ANZZI or visit us at www.ANZZI.com.

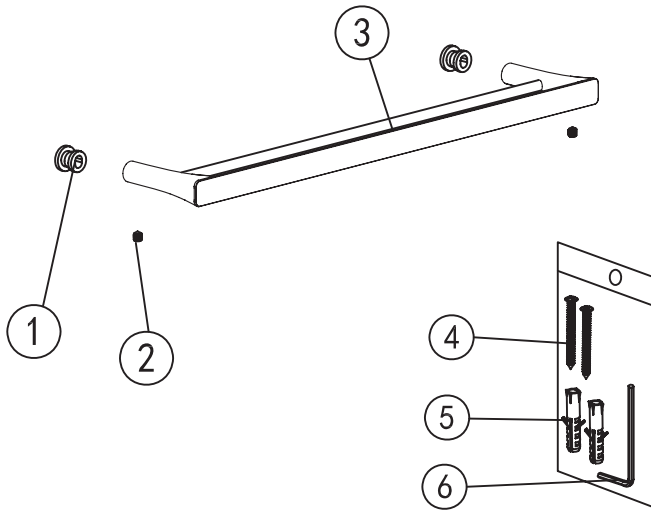




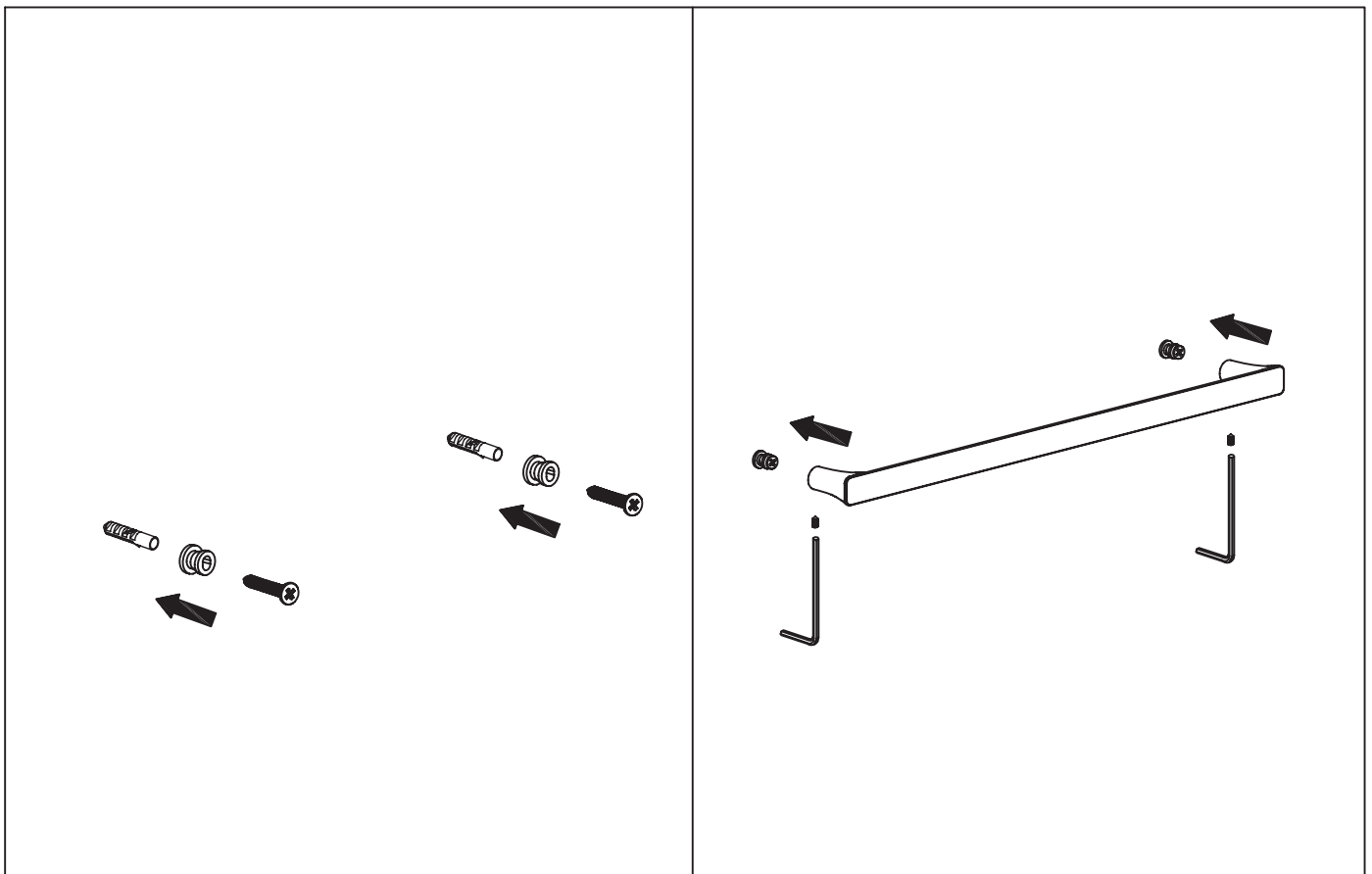
ANZZI™

AC-AZ057

Have questions? Call us at 1-844-44-ANZZI or visit us at www.ANZZI.com.



Code	The Accessory List	Quantity
1	Fixing base	2
2	Screw	2
3	Double towel bar	1
4	Screw	2
5	Plastic insert	2
6	Allen key	1



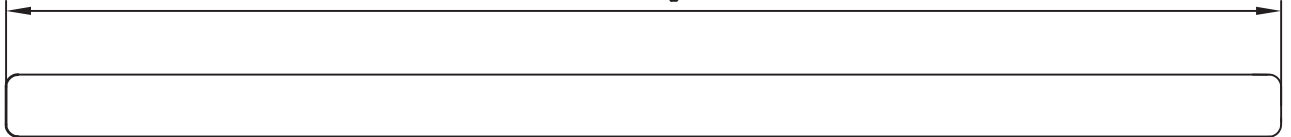


ANZZI™

AC-AZ057

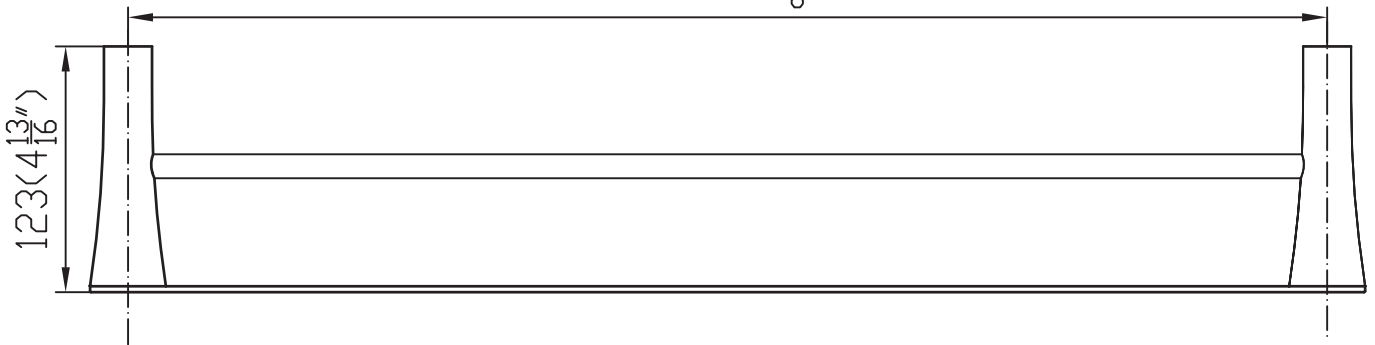
Have questions? Call us at 1-844-44-ANZZI or visit us at www.ANZZI.com.

638(25 $\frac{1}{8}$ ")



600(23 $\frac{5}{8}$ ")

123(4 $\frac{13}{16}$ ")



30(1 $\frac{3}{16}$ ")

