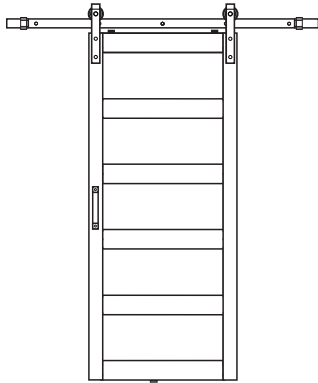
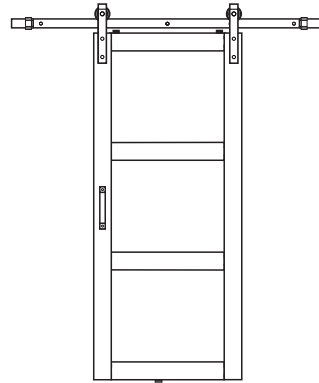


ANZZI®

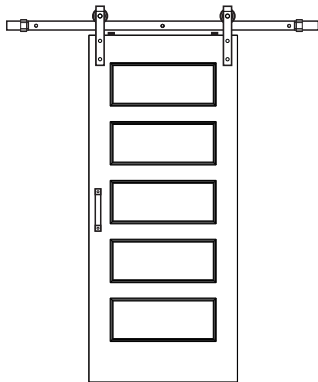
ITEM: ID-AZBD06
ID-AZBD07
ID-AZBD08
ID-AZBD09
ANZZI BARN DOOR
INSTALLATION & OPERATION MANUAL
V1.0
01/30/2024



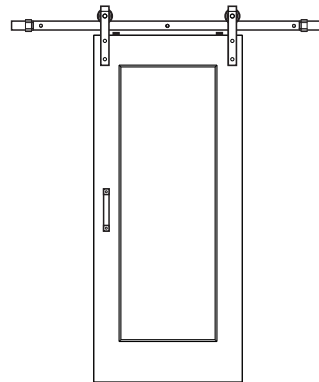
ID-AZBD06



ID-AZBD07



ID-AZBD08



ID-AZBD09

**DON'T WAIT!
REGISTER NOW!**

Register your product within 90 days to ensure your product is recognized as an official purchase and is eligible for warranty coverage.

Mail in the completed registry card (Pg. 2) or register online at <https://register.anzzihome.com/register/>.

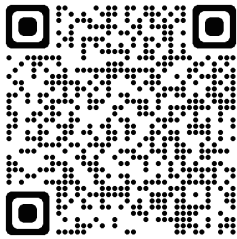


PRODUCT REGISTRATION*

IMPORTANT: Warranty will not be recognized unless product is registered.

We offer two options to register your product.

- 1. Register online at <https://register.anzzihome.com/register/>** or Scan the QR code below. Registering online is fast, secure, and ensures we receive your information.



- 2. Complete, cut out, and mail the registration card below.** Returning this registration card will ensure your product's warranty and allow us to process any warranty claims.

Mail the card to: 5701 NW 35 Avenue, Miami, FL 33142



Product Registration Card

Name Address

City.....State..... Zip.....

Phone Email.....

Date of Purchase Order or Purchase # SKU or Model #

Installer's NamePhone

I have read the Owner's Manual carefully and understand and agree that any installation, operation or maintenance of the product must be done strictly in accordance with instructions and guidelines contained in the owner's manual and installation guide.

Signature _____ Date _____

Need help? For technical support call 305-614-4070 or visit us at www.ANZZI.com

INSTALLATION GUIDE

BEFORE YOU BEGIN

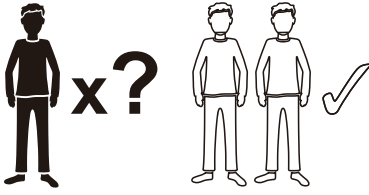
- Please check the product for damage and missing parts immediately upon delivery. Damage reported later will not be covered by our warranty. Please handle the product with care. Avoid any impact to the sides and edges of the door.
- Consult your local building codes before installation.
- Read instructions fully before starting the installation of your barn door. Not following the installation instructions can cause the unit to work in an unsafe manner and cause injury.
- The barn door kit has been designed to work as a total system. Any modification to the door or the hardware will void the warranty and may cause the unit to work improperly.



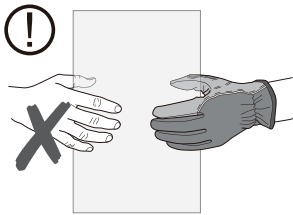
WARNING

- Due to the weight of the barn door, installation requires two people. Always wear appropriate personal protection equipment when using tools and follow manufacturer's operating instructions.
- When installing directly into a non-concrete wall, do not attempt to install the track solely to the drywall or any wall surface as this may not support the weight of the track and mounted door.
- The track must be installed onto a piece of solid wood blocking using mounting screws (included in some complete kits).
- Ensure the solid wood blocking is secured into the structural surface.
- Use a stud finder where necessary to locate studs and secure safely.
- Typical solid wood blocking should be a 1"x4" solid wood board the length of the track.
- There are glass parts for ID-AZBD06 or ID-AZBD07. Please be careful when moving the door.

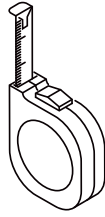
TOOLS REQUIRED



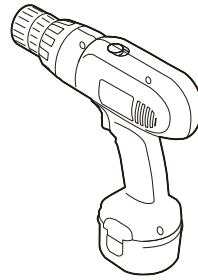
- The help of a second person may be required due to product's weight.



- Use cut-resistant, non-slip gloves to reduce the risk of personal injury and to hold the glass firmly.



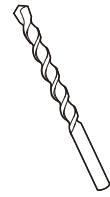
Tape Measure



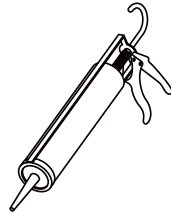
Drill



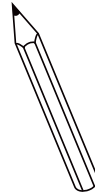
5/16"
(8mm)
Drill Bit



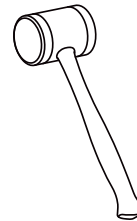
3/8"
(10mm)
Drill Bit



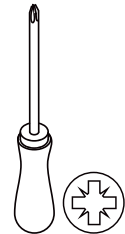
100%
Silicone
Sealant



Pencil



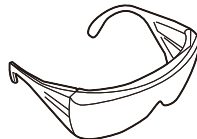
Rubber
Mallet



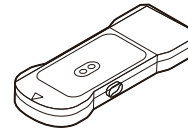
Phillips
Screwdriver



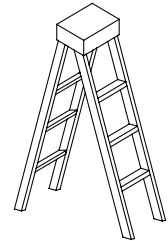
Level



Safety
Glasses



Stud Finder



Ladder



13mm
Wrench



16mm
Wrench



17mm
Wrench

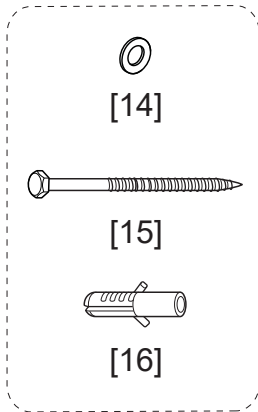
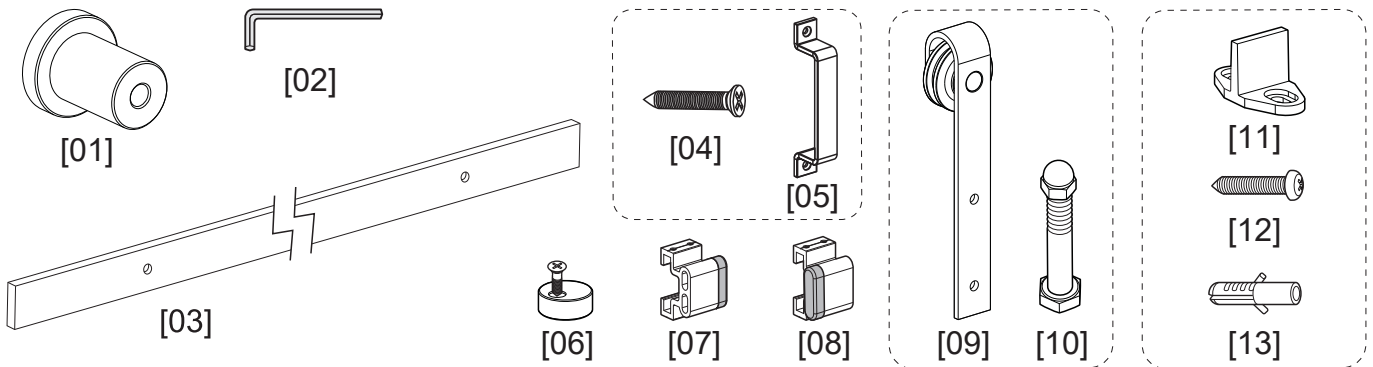


This product is heavy and may require two people to install.



PARTS

DOOR KIT

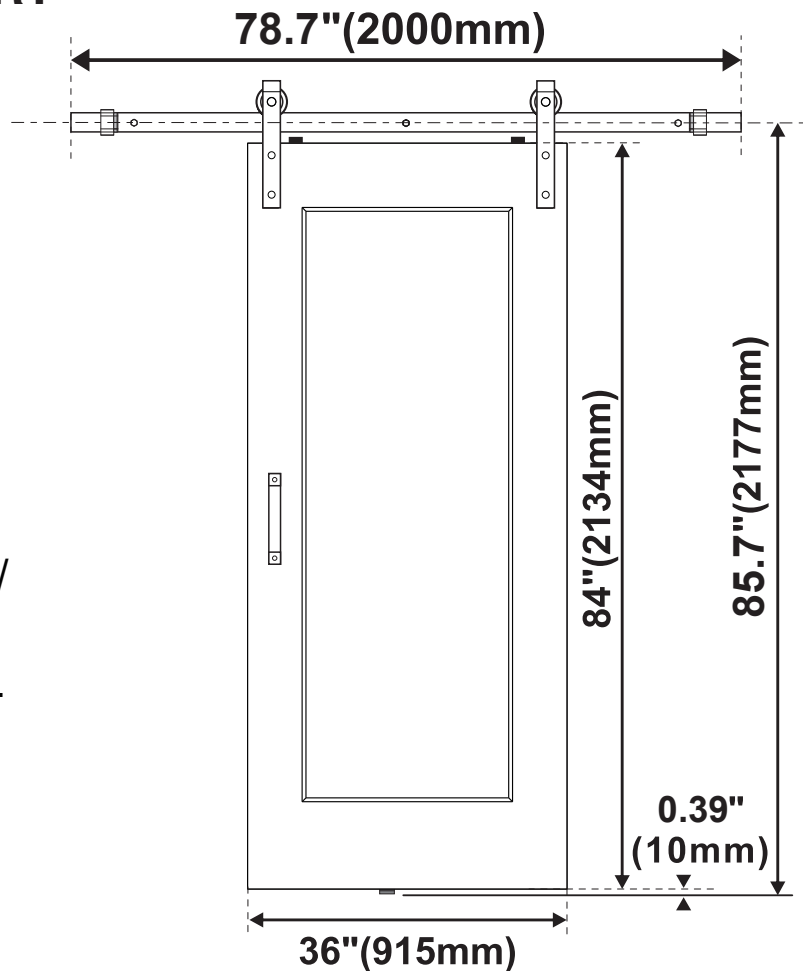


Part	Description	Qty.
[01]	Spacers	5
[02]	Allen Wrench	1
[03]	Track	1
[04]	Screw	2
[05]	Handle	1
[06]	Anti-jump Block	2
[07]	Left Stopper	1
[08]	Right Stopper	1

Part	Description	Qty.
[09]	Top Mount Roller	2
[10]	Bolt assembly	4
[11]	Door Guide	1
[12]	#8 Screw	2
[13]	5/16" Anchor	2
[14]	Gasket	5
[15]	5/16" X 3.5" Bolt	5
[16]	3/8" Anchor	5

PRODUCT SIZE CHART

ID-AZBD09



Note:
 ID-AZBD06 / ID-AZBD07 /
 ID-AZBD08 are same
 dimension as ID-AZBD09.



ATTENTION

- To avoid personal injury or property damage, identify components and read all instructions before installing.

INSTALLATION INSTRUCTION

Step 1

1. This step requires a second person. Measure the center of **Track [03]** from the floor as figure shows. Measure one end of **Track [03]** from the edge of opening as figure shows. (Fig 1)
2. Hold the **Track [03]** on the wall and adjust to level position. Make sure the distance between the **Track [03]** and the floor.
3. Mark the screw holes of the **Track [03]** onto the wall. Then remove it.

Note: Make sure there is a wood frame behind the location of **Track [03]**.

Step 2

Drill the holes at the screw locations in 2" deep using a 3/8" drill bit.

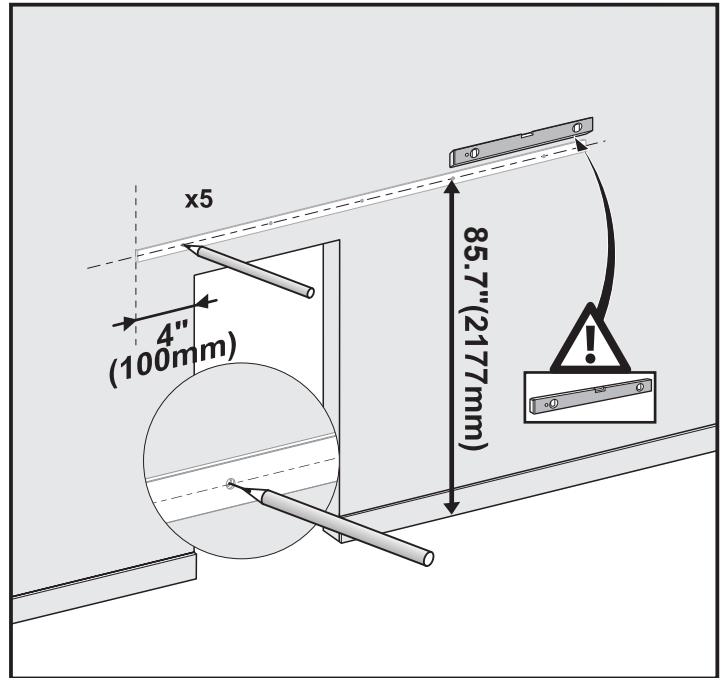


Fig 1

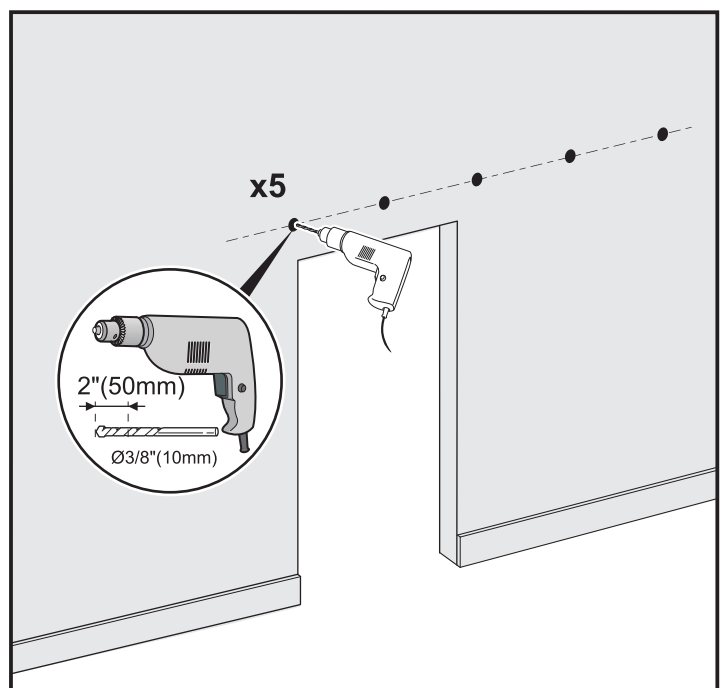


Fig 2

Step 3

1. Install **3/8" Anchors [16]** into the holes.
2. Place the **Spacers [01]** between the wall and the **Track [03]**. Secure the **Track [03]** with **Gaskets [14]** and **5/16" X 3.5" Bolts [15]**.
Tighten the bolts with 13mm Wrench.

Caution: Do not over tighten the bolts to avoid scratching the **Track [03]**.

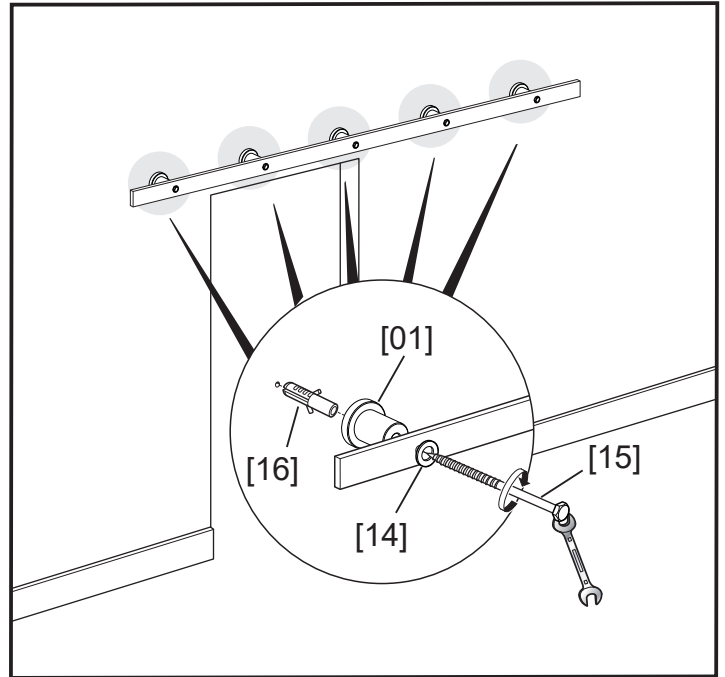


Fig 3

Step 4

1. Install **Top Mount Rollers [09]** to one side of the door and secure it with **Bolt assembly [10]** using 16mm & 17mm Wrenches as figure shows. (Fig 4)
2. Make sure there are washers between the bolts and door, nuts and **Top Mount Rollers [09]**.

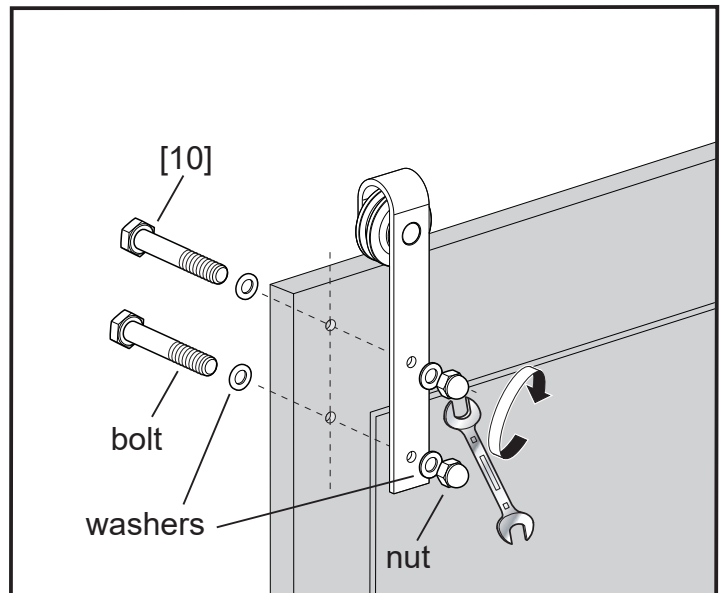


Fig 4

Step 5

Install **Anti-jump Blocks [06]** and secure them with screws as figure 5 shows. **Do not over tighten.**

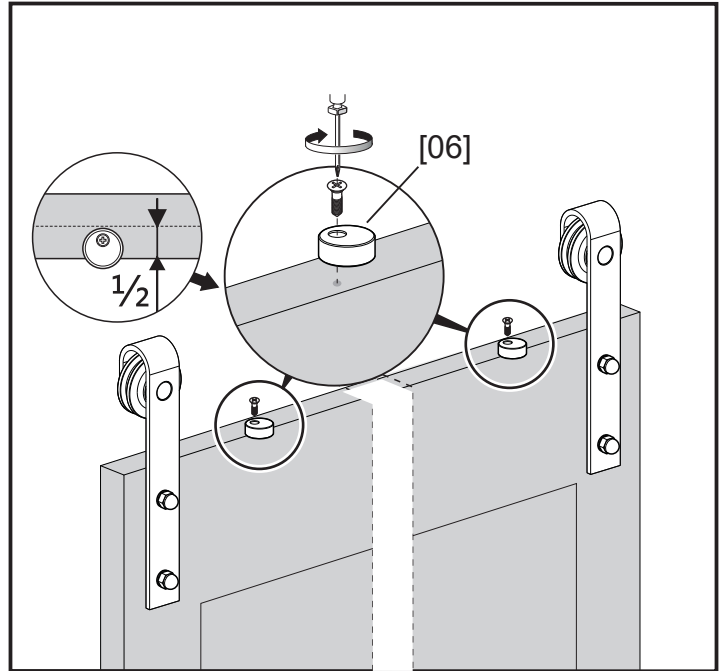


Fig 5

Step 6

1. Place assembled door with rollers onto track and rotate the **Anti-jump Blocks [06]** as figure shows.
2. Slide door back and forth to test how well the door covers the opening. (Fig 6)

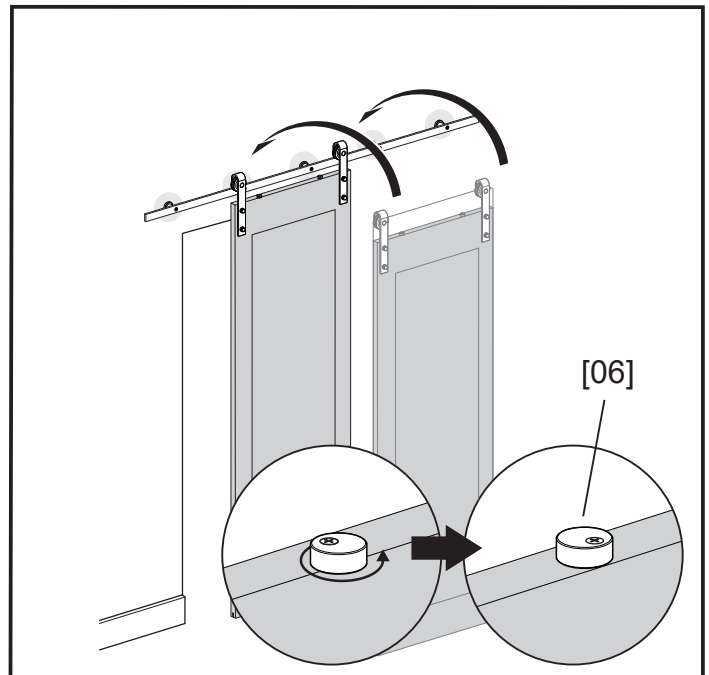


Fig 6

Step 7

1. Hold the door in straight position.
2. Position the **Door Guide [11]** inside the groove in the bottom of the door. Slide the door side to side to ensure the guide is properly placed.
3. Mark the screw holes of guide.
4. Drill the holes at the screw locations in 1.6" deep using a 5/16" drill bit.
5. Slide the door to one side and install the **5/16" Anchor [13]**.
6. Secure the **Door Guide [11]** with **#8 Screw [12]**.

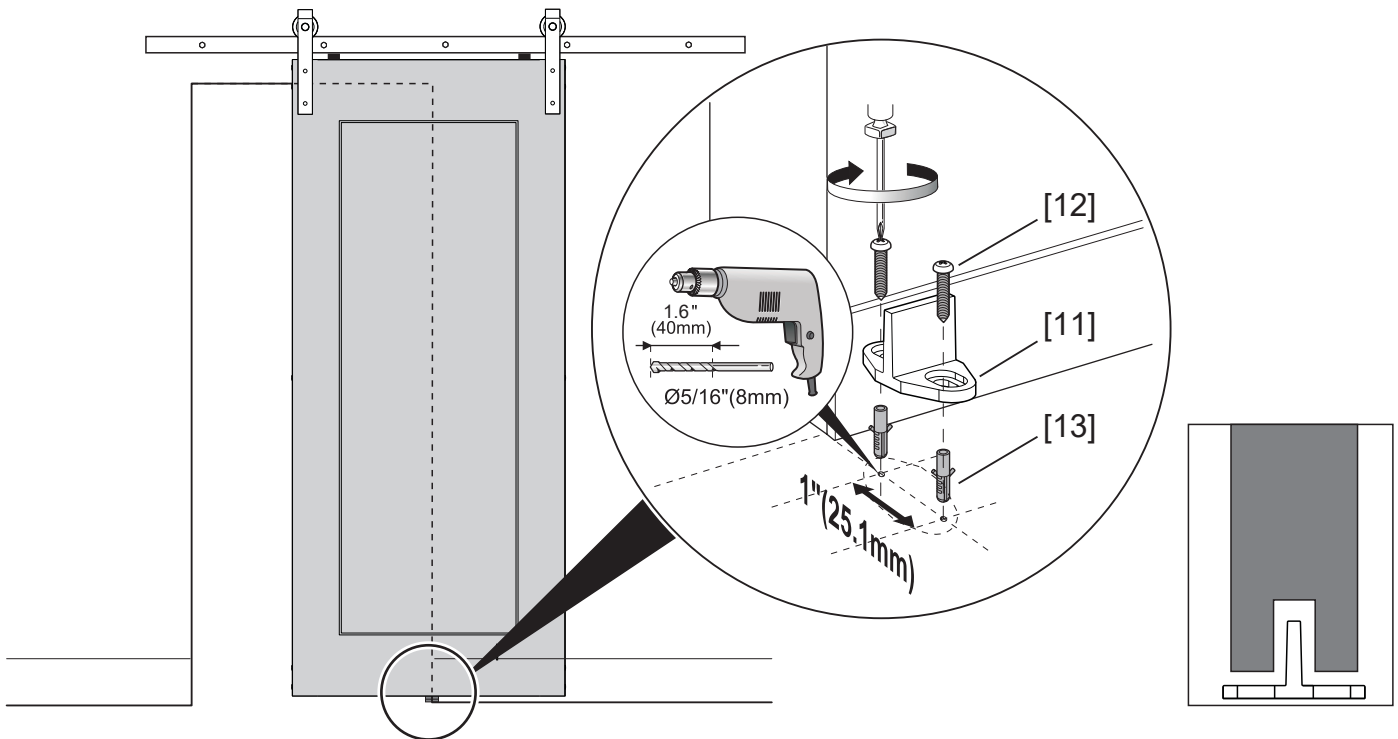


Fig 7

Step 8

1. Slide **Left Stopper [07]** on to the left and **Right Stopper [08]** on to the right ends of **Track [03]**.
2. Adjust the stoppers and secure with set screws using the allen wrench that is included with stoppers.

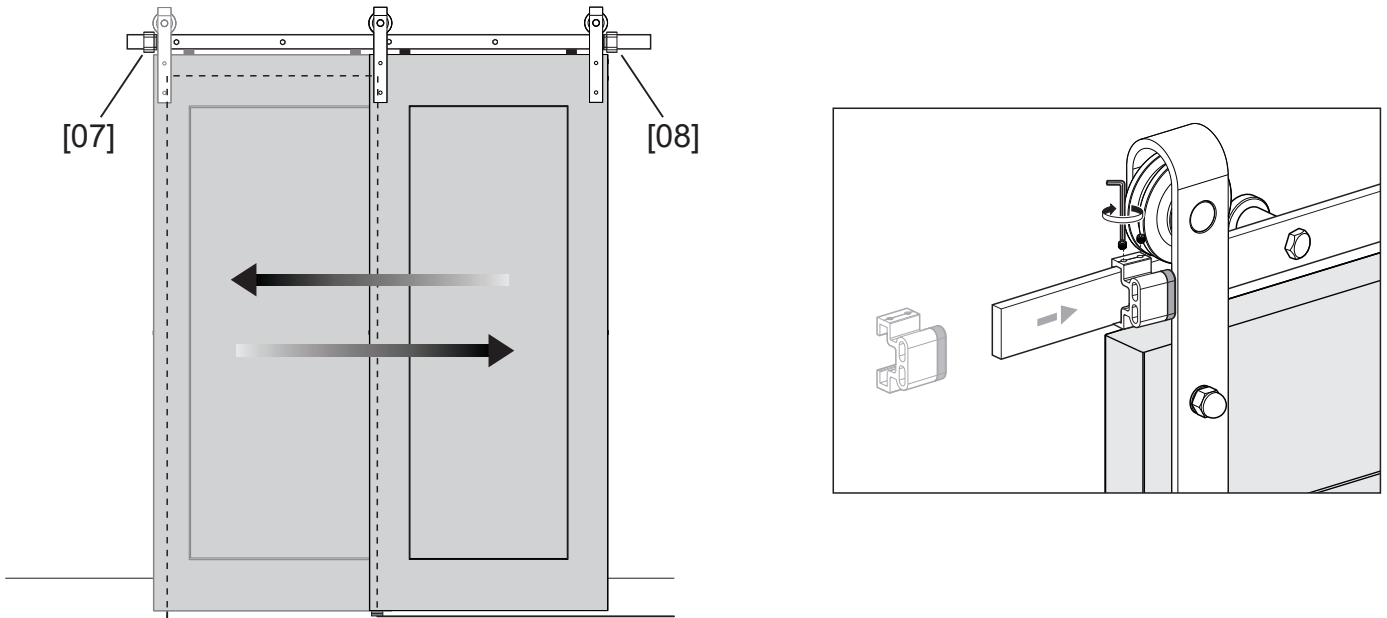


Fig 8

Step 9

Place the **Handle [05]** in the intended position on the door and secure it with **Screws [04]**.

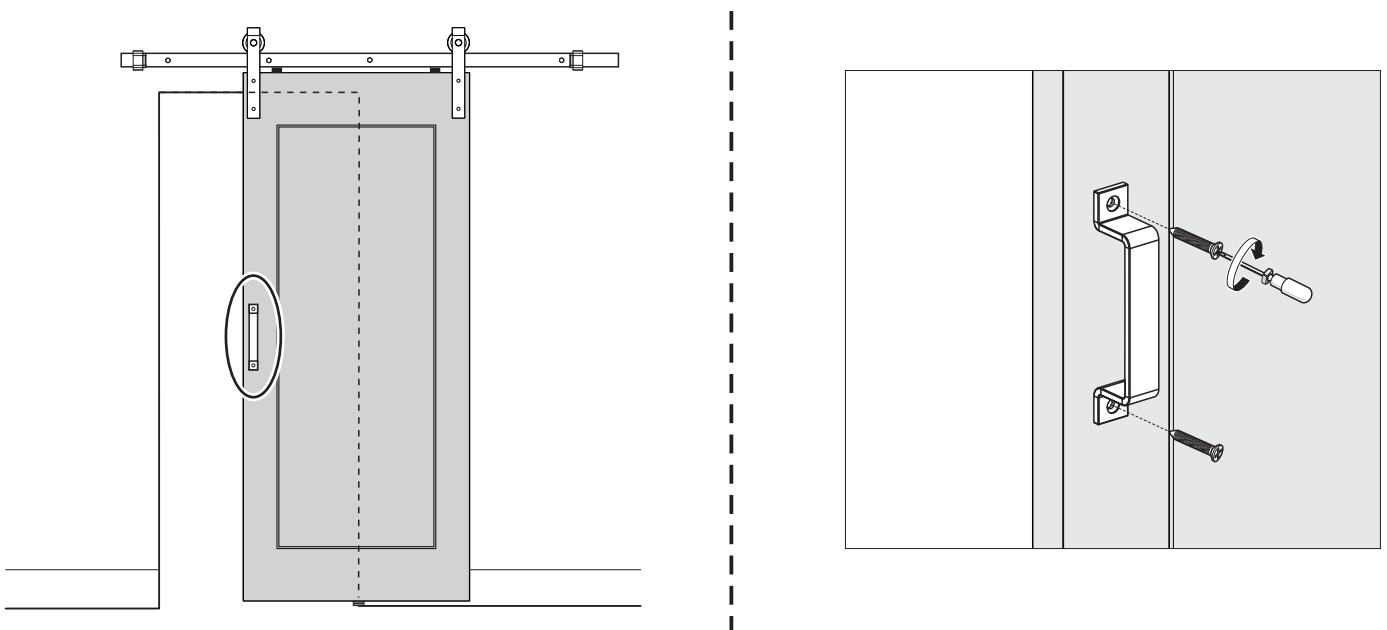


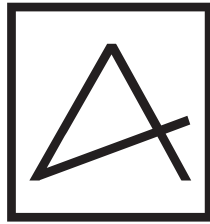
Fig 9

Care & Maintenance

For daily maintenance, use a wet cloth and a soft liquid cleaner.

Never use abrasive cleaners containing acetone, chlorine or strong bleach, scrapers, metallic brushes, nor other objects or products which can scratch or tarnish surfaces.

Check the bolts every 3 months and re-tighten them if necessary.



ANZZI®