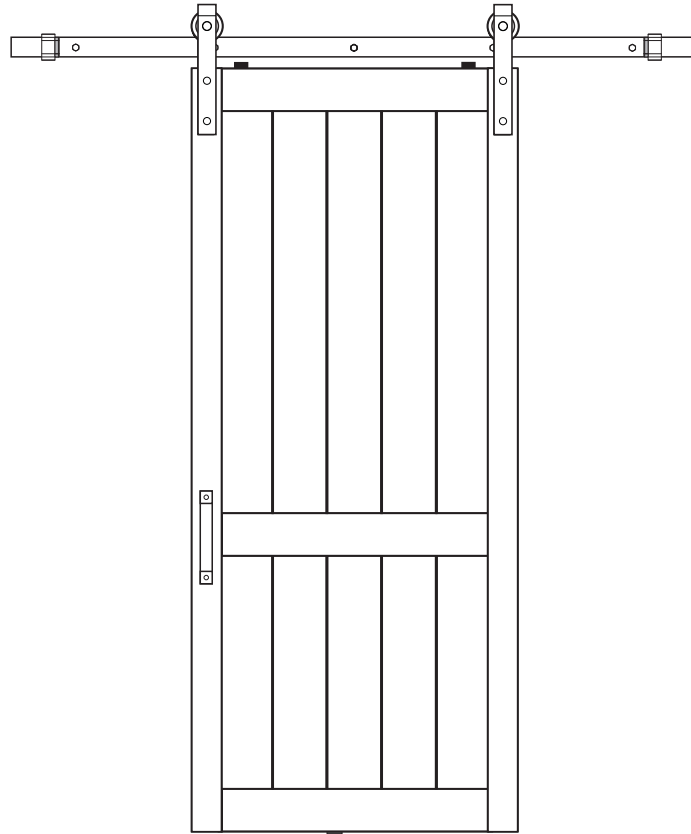


ANZZI®

ITEM: ID-AZBD05

ANZZI BARN DOOR
INSTALLATION & OPERATION MANUAL

V1.0
01/30/2024



DON'T WAIT! REGISTER NOW!

Register your product within 90 days to ensure your product is recognized as an official purchase and is eligible for warranty coverage.

Mail in the completed registry card (Pg. 2) or register online at <https://register.anzzihome.com/register/>.

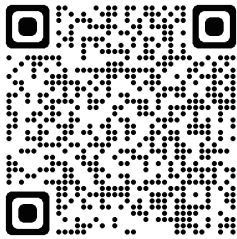


PRODUCT REGISTRATION*

IMPORTANT: Warranty will not be recognized unless product is registered.

We offer two options to register your product.

- 1. **Register online at <https://register.anzzihome.com/register/>** or Scan the QR code below. Registering online is fast, secure, and ensures we receive your information.



- 2. **Complete, cut out, and mail the registration card below.** Returning this registration card will ensure your product's warranty and allow us to process any warranty claims.

Mail the card to: 5701 NW 35 Avenue, Miami, FL 33142



Product Registration Card

Name Address

City.....State..... Zip.....

Phone Email.....

Date of Purchase Order or Purchase # SKU or Model #

Installer's NamePhone

I have read the Owner's Manual carefully and understand and agree that any installation, operation or maintenance of the product must be done strictly in accordance with instructions and guidelines contained in the owner's manual and installation guide.

Signature _____ Date _____

Need help? For technical support call 305-614-4070 or visit us at www.ANZZI.com

INSTALLATION GUIDE

BEFORE YOU BEGIN

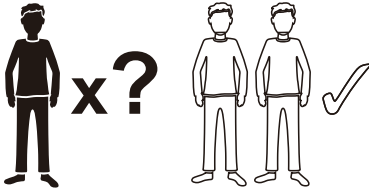
- Please check the product for damage and missing parts immediately upon delivery. Damage reported later will not be covered by our warranty. Please handle the product with care. Avoid any impact to the sides and edges of the door.
- Consult your local building codes before installation.
- Read instructions fully before starting the installation of your barn door. Not following the installation instructions can cause the unit to work in an unsafe manner and cause injury.
- The barn door kit has been designed to work as a total system. Any modification to the door or the hardware will void the warranty and may cause the unit to work improperly.



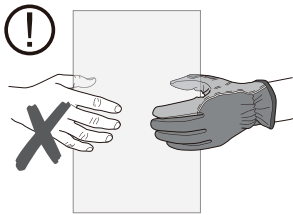
WARNING

- Due to the weight of the barn door, installation requires two people. Always wear appropriate personal protection equipment when using tools and follow manufacturer's operating instructions.
- When installing directly into a non-concrete wall, do not attempt to install the track solely to the drywall or any wall surface as this may not support the weight of the track and mounted door.
- The track must be installed onto a piece of solid wood blocking using mounting screws (included in some complete kits).
- Ensure the solid wood blocking is secured into the structural surface.
- Use a stud finder where necessary to locate studs and secure safely.
- Typical solid wood blocking should be a 1"x4" solid wood board the length of the track.

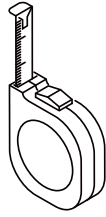
TOOLS REQUIRED



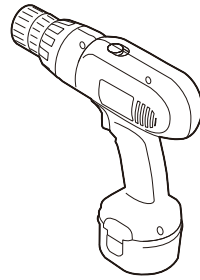
- The help of a second person may be required due to product's weight.



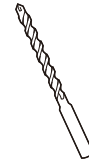
- Use cut-resistant, non-slip gloves to reduce the risk of personal injury and to hold the glass firmly.



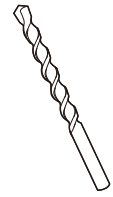
Tape Measure



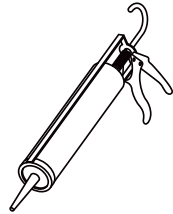
Drill



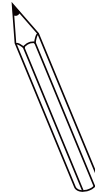
5/16"
(8mm)
Drill Bit



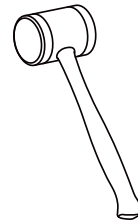
3/8"
(10mm)
Drill Bit



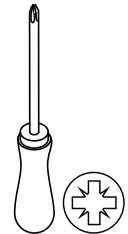
100%
Silicone
Sealant



Pencil



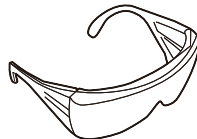
Rubber
Mallet



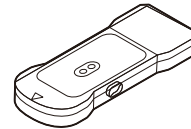
Phillips
Screwdriver



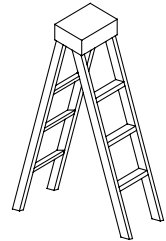
Level



Safety
Glasses



Stud Finder



Ladder



13mm
Wrench



16mm
Wrench



17mm
Wrench



This product is heavy and may require two people to install.

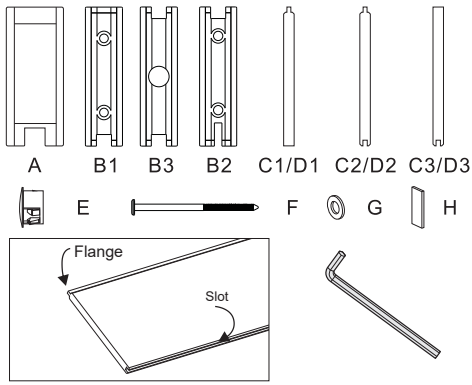


PARTS

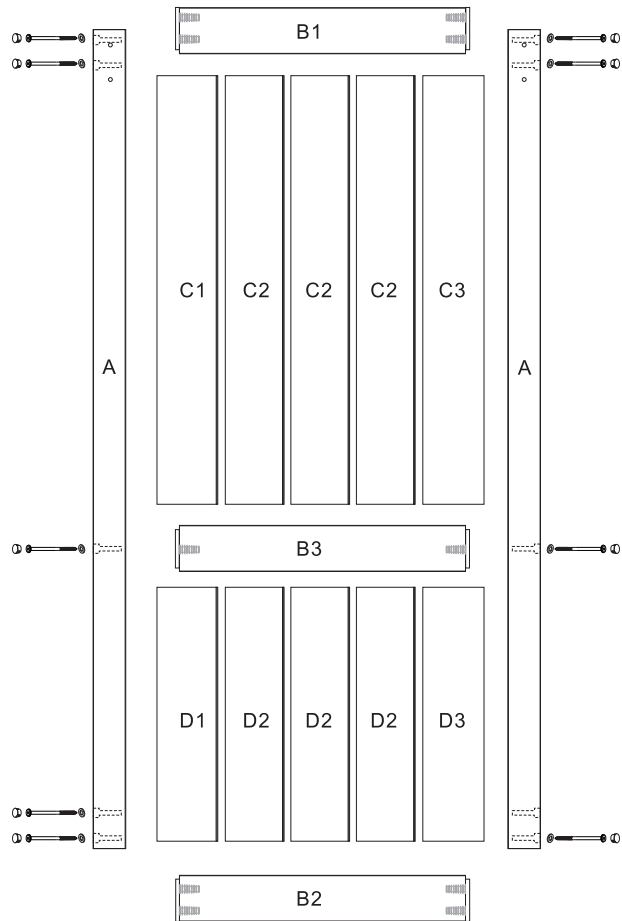
DOOR

Part	Description	Qty.
A	Side Stile	2
B1	Top Rail	1
B2	Bottom Rail	1
B3	Middle Rail	1
C1	Left Side Long Slat	1
C2	Middle Long Slat	3
C3	Right Side Long Slat	1
D1	Left Side Short Slat	1
D2	Middle Short Slat	3
D3	Right Side Short Slat	1
E	Cover	10
F	Carriage Bolt	10
G	Washer	10
H	Gasket	4

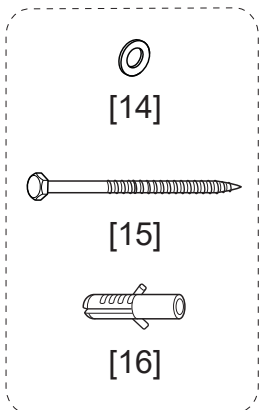
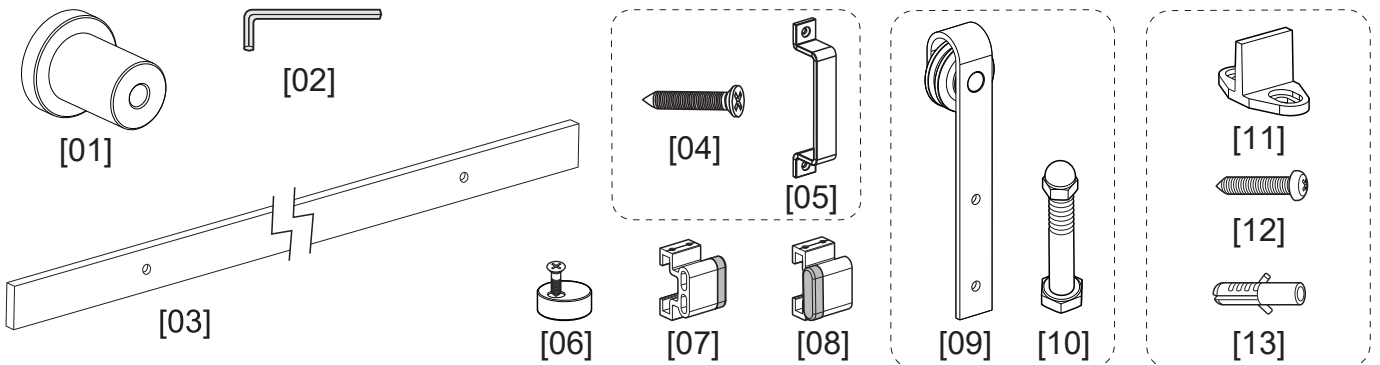
Stile and Slat End Views



Note: Add Gaskets [H] between Side Stilts [A] and Left Side Slats [C1] or Right Side Slats [C3] to secure the slats tightly if necessary.



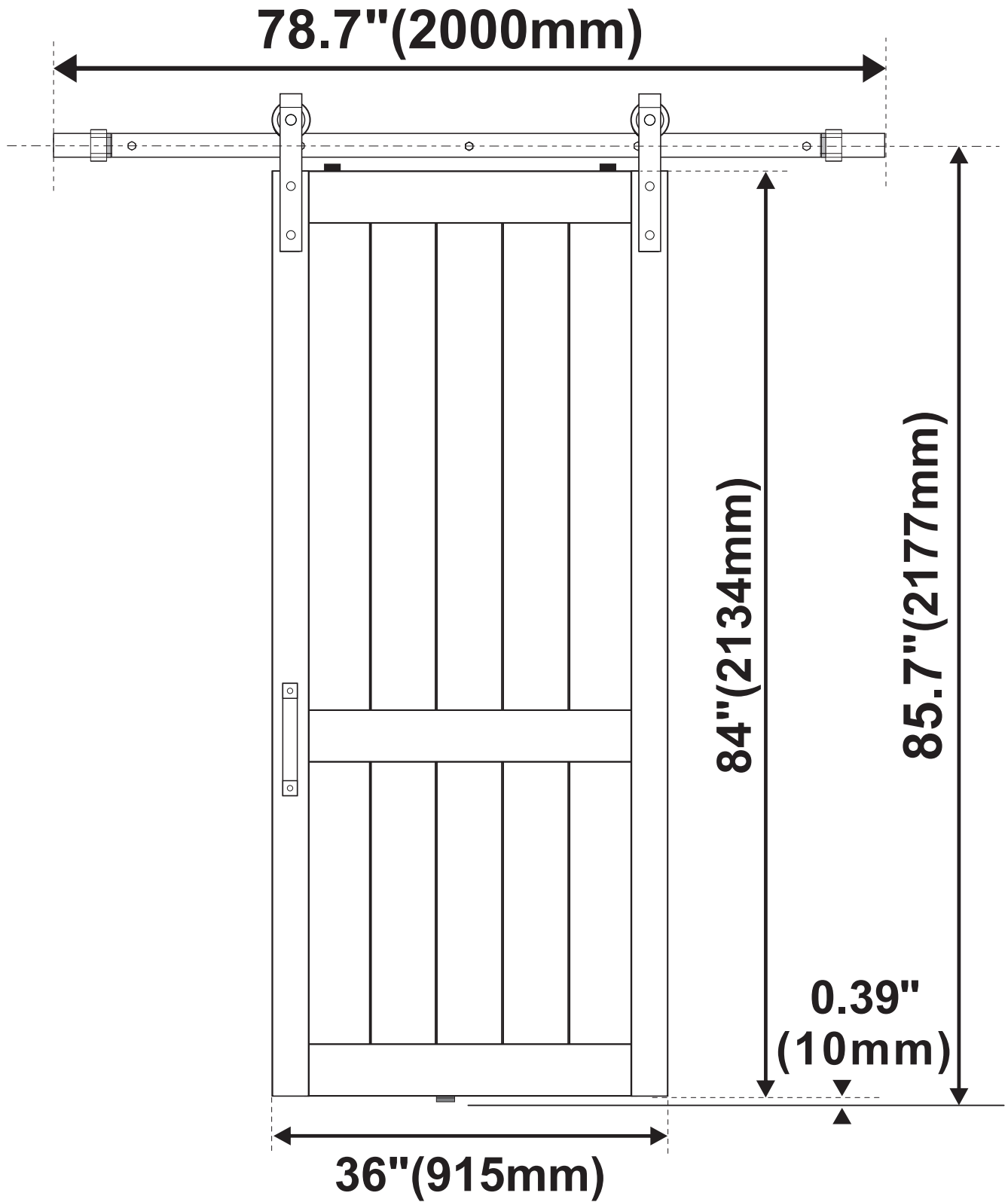
DOOR KIT



Part	Description	Qty.
[01]	Spacers	5
[02]	Allen Wrench	1
[03]	Track	1
[04]	Screw	2
[05]	Handle	1
[06]	Anti-jump Block	2
[07]	Left Stopper	1
[08]	Right Stopper	1

Part	Description	Qty.
[09]	Top Mount Roller	2
[10]	Bolt assembly	4
[11]	Door Guide	1
[12]	#8 Screw	2
[13]	5/16" Anchor	2
[14]	Gasket	5
[15]	5/16" X 3.5" Bolt	5
[16]	3/8" Anchor	5

PRODUCT SIZE CHART





ATTENTION

- To avoid personal injury or property damage, identify components and read all instructions before installing.

INSTALLATION INSTRUCTION

Step 1

Lay out **Side Stile [A]** on flat, clean surface with cloth under it. Make sure the groove side is to the inside. Attach **Top Rail [B1]**, **Bottom Rail [B2]**, and **Middle Rail [B3]** to **Side Stile [A]** by inserting the **Flange** into the groove as figure shows below. Fasten the rails with **Washers [G]** and **Carriage Bolts [F]**.

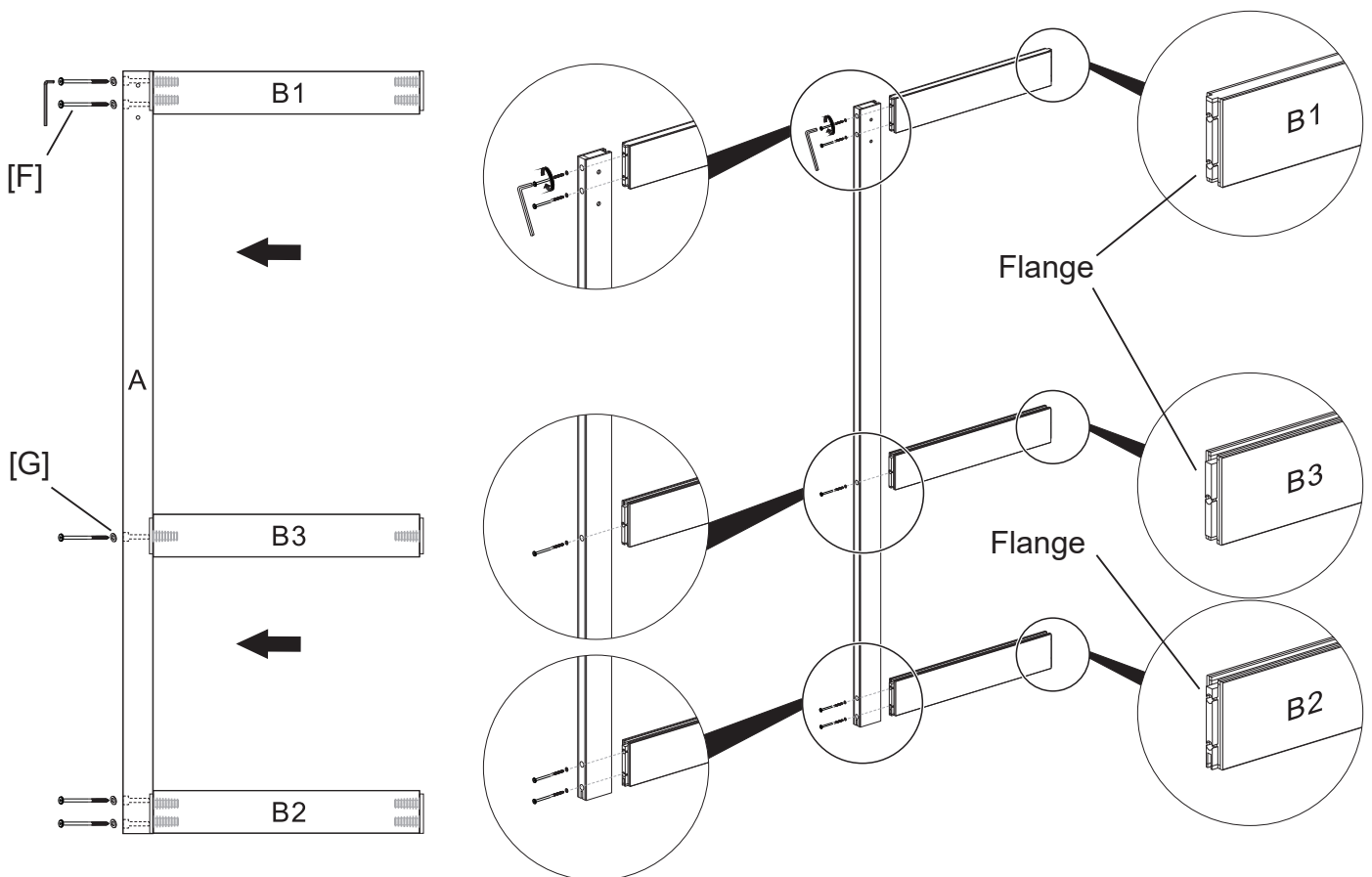


Fig 1

Step 2

1. Assemble one **Left Side Short Slat [D1]** follow by three **Middle Short Slat [D2]** and one **Right Side Short Slat [D3]** between **Bottom Rail [B2]** and **Middle Rail [B3]**.
2. Install the rest of slats between **Top Rail [B1]**, and **Middle Rail [B3]** in the same manner as step 1.

Note: Make sure the **Flange** of the **Left Side Short / Long Slat** faces to the **Slot** of the first **Middle Short / Long Slat**, the **Flange** of the first **Middle Short / Long Slat** faces to the **Slot** of the second **Middle Side Short / Long Slat**, the **Flange** of the second **Middle Short / Long Slat** faces to the **Slot** of the third **Middle Short / Long Slat** and **Flange** of third **Middle Short / Long Slat** faces to the **Slot** of **Right Side Short / Long Slat**.

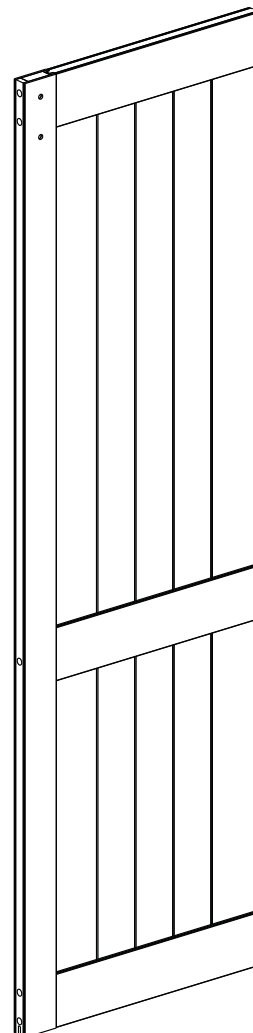
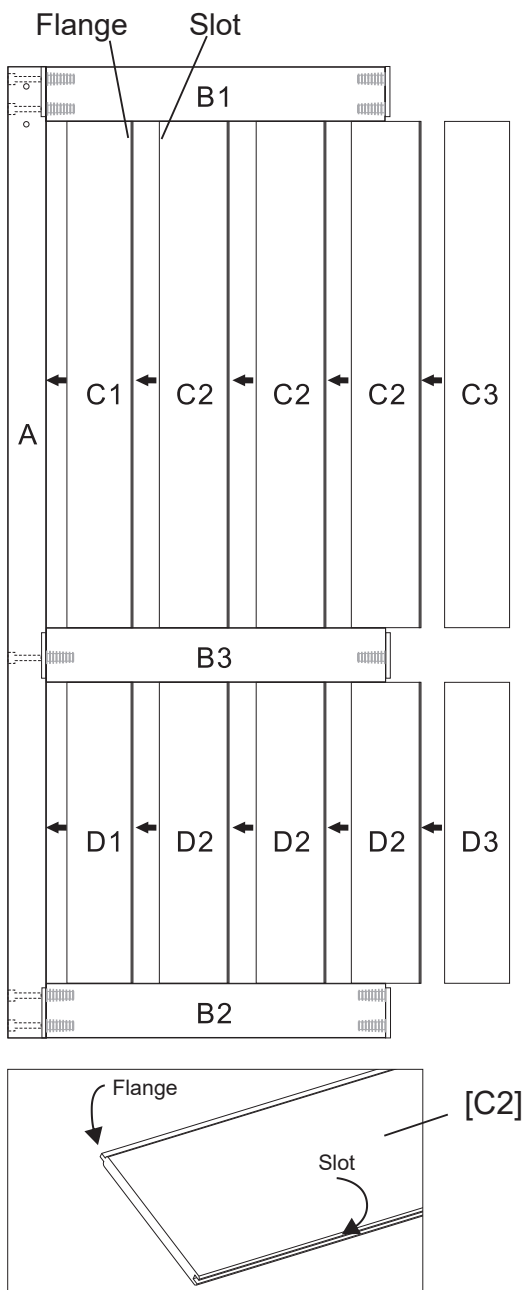


Fig 2

Step 3

Assemble **Side Stile [A]** with groove facing to the rails and slats. Fasten it with **Washers [G]** and **Carriage Bolts [F]**.

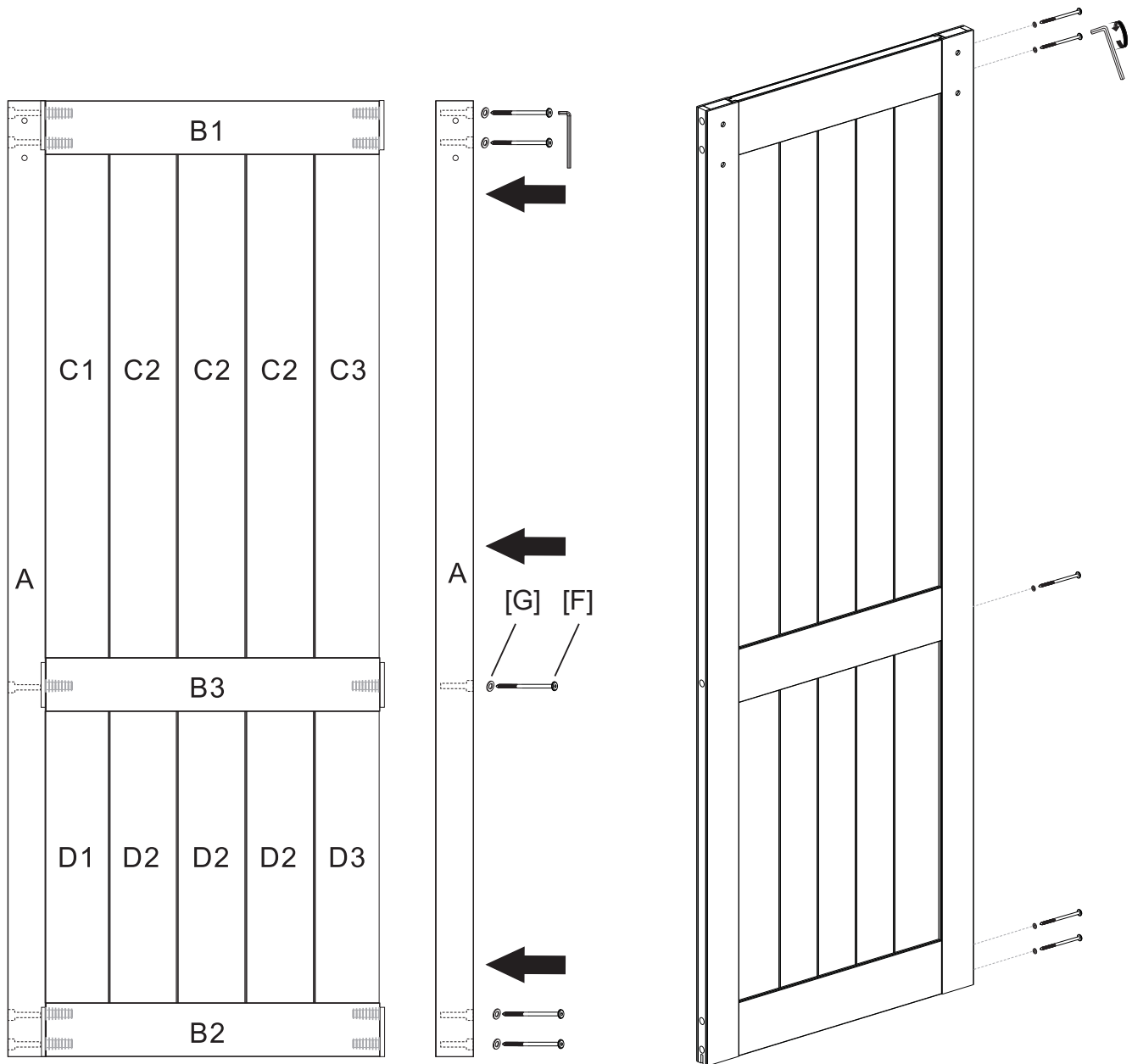


Fig 3

Step 4

Install the **Covers [E]** to the side of door.

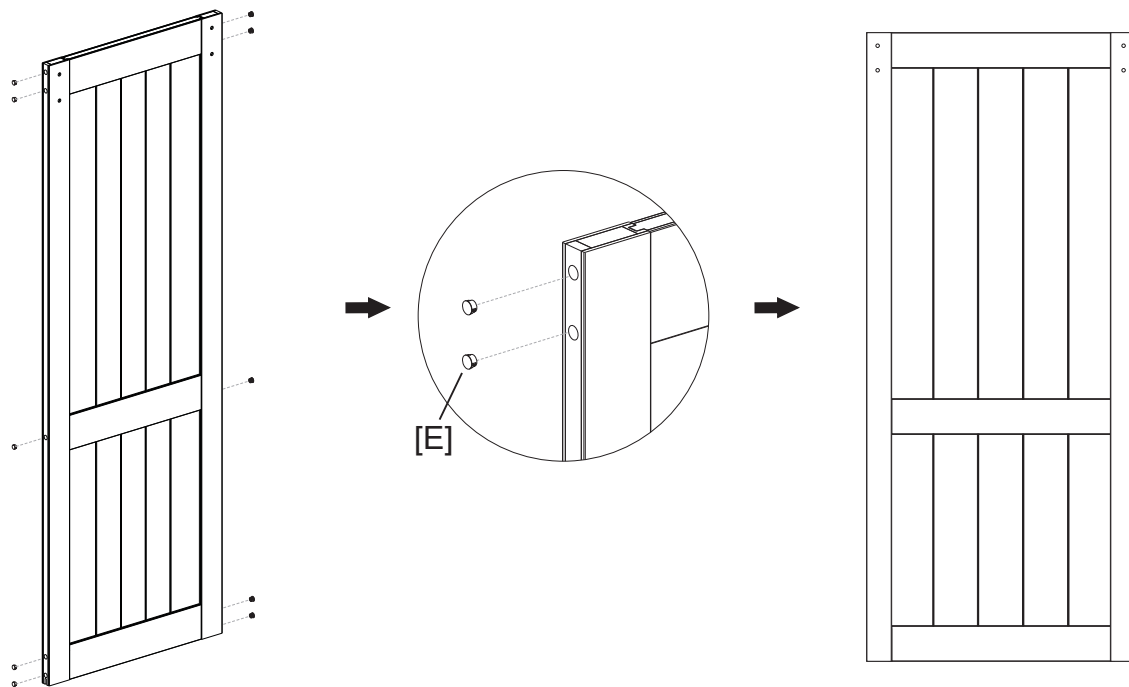


Fig 4

Step 5

1. This step requires a second person. Measure the center of **Track [03]** from the floor as figure shows. Measure one end of **Track [03]** from the edge of opening as figure shows. (Fig 5)
2. Hold the **Track [03]** on the wall and adjust to level position. Make sure the distance between the **Track [03]** and the floor is consistent.
3. Mark the screw holes of the **Track [03]** onto the wall. Then remove it.

Note: Make sure there is a wood frame behind the location of **Track [03]**.

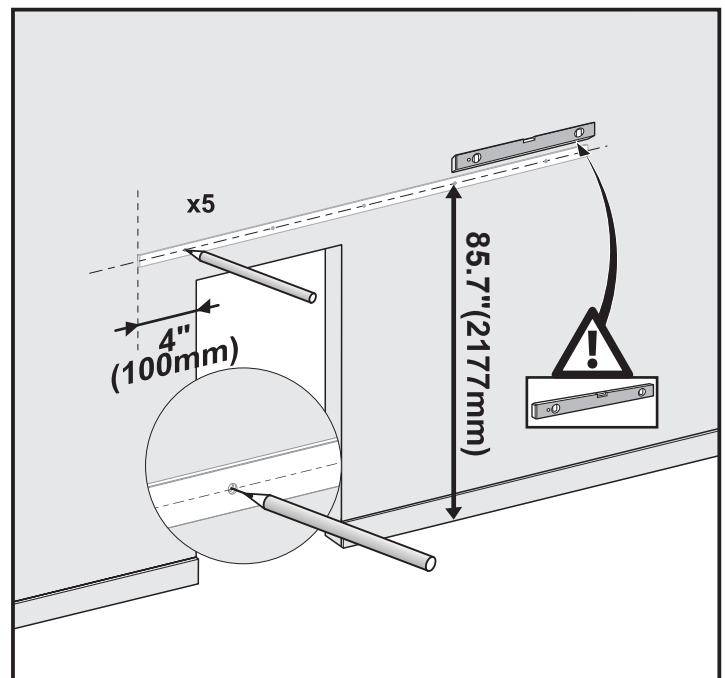


Fig 5

Step 6

Drill the holes at the screw locations in 2" deep using a 3/8" drill bit.

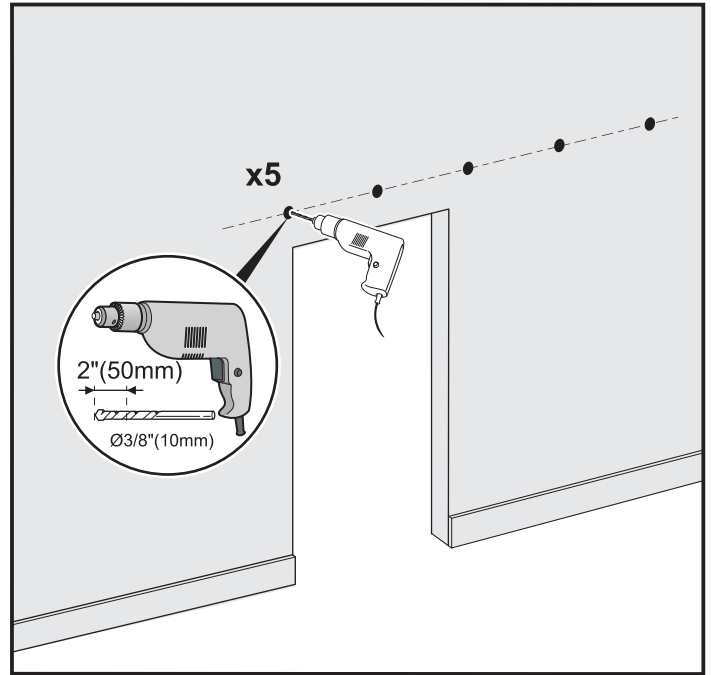


Fig 6

Step 7

1. Install **3/8" Anchors [16]** into the holes.
2. Place the **Spacers [01]** between the wall and the **Track [03]**. Secure the **Track [03]** with **Gaskets [14]** and **5/16" X 3.5" Bolts [15]**.
Tighten the bolts with 13mm Wrench.

Caution: Do not over tighten the bolts to avoid scratching the **Track [03]**.

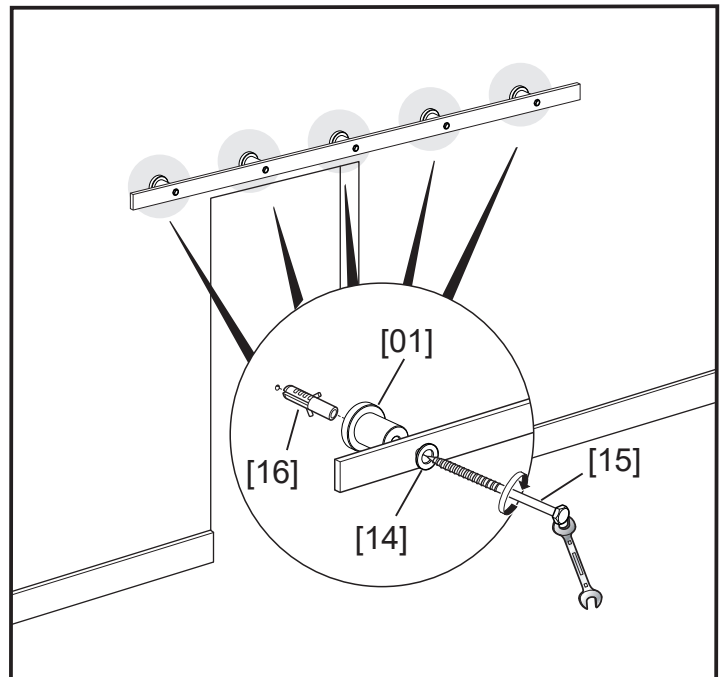


Fig 7

Step 8

1. Install **Top Mount Rollers [09]** to one side of the door and secure it with **Bolt assembly [10]** using 16mm & 17mm Wrenches as figure shows. (Fig 9)
2. Make sure there are washers between the bolts and door, nuts and **Top Mount Rollers [09]**.

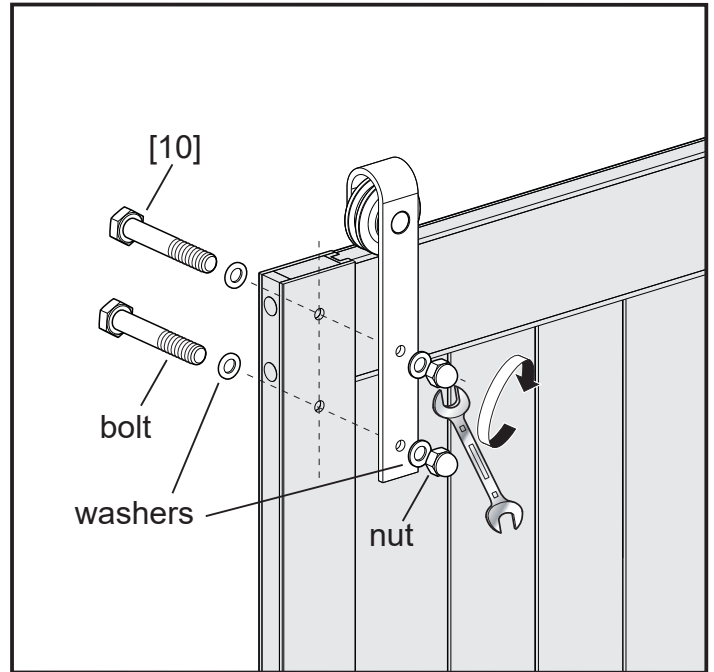


Fig 8

Step 9

- Install **Anti-jump Blocks [06]** and secure them with screws as figure 9 shows. **Do not over tighten.**

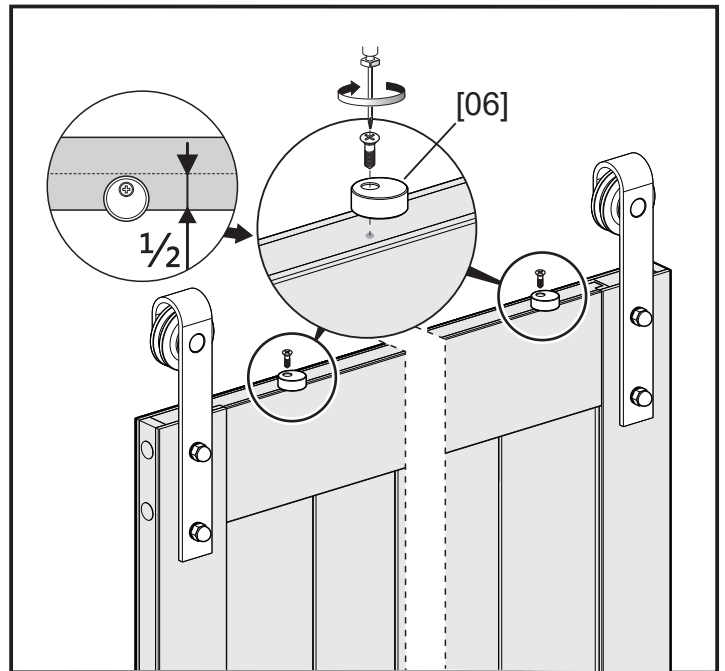


Fig 9

Step 10

1. Place assembled door with rollers onto track and rotate the **Anti-jump Blocks [06]** as figure 10 shows.
2. Slide door back and forth to test how well the door covers the opening. (Fig 10)

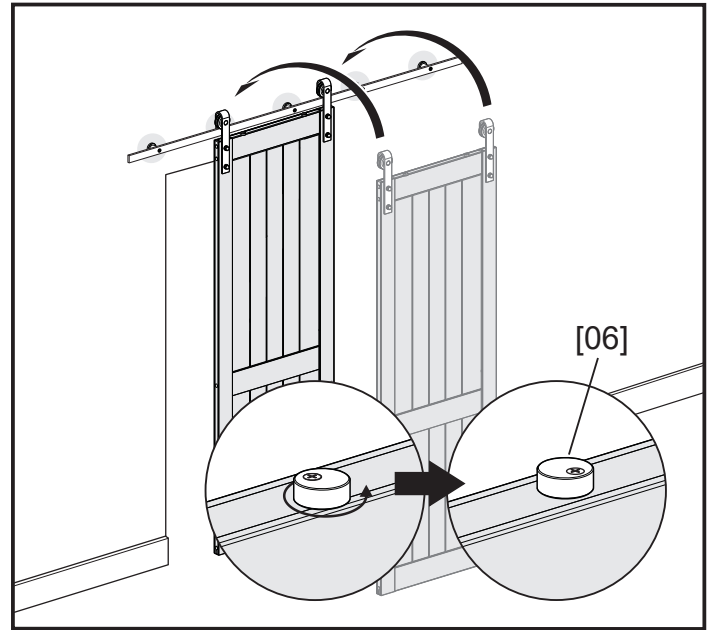


Fig 10

Step 11

1. Hold the door in straight position.
2. Position the **Door Guide [11]** inside the groove in the bottom of the door. Slide the door side to side to ensure the guide is properly placed.
3. Mark the screw holes of guide.
4. Drill the holes at the screw locations in 1.6" deep using a 5/16" drill bit.
5. Slide the door to one side and install the 5/16" **Anchor [13]**.
6. Secure the **Door Guide [11]** with #8 **Screw [12]**.

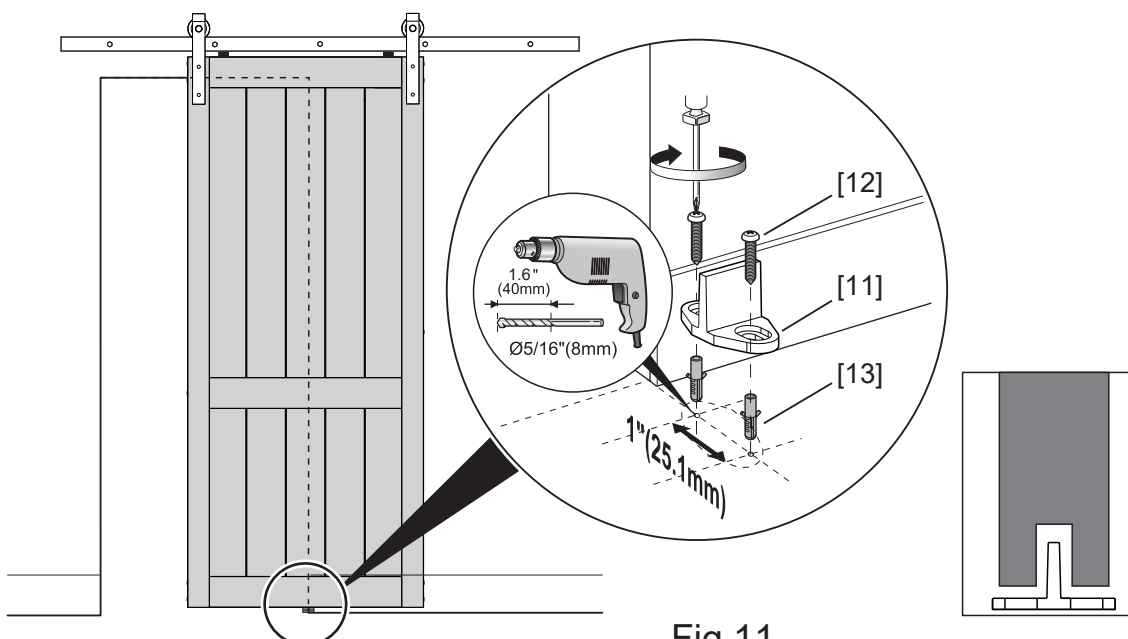


Fig 11

Step 12

1. Slide **Left Stopper [07]** on to the left and **Right Stopper [08]** on to the right ends of **Track [03]**.
2. Adjust the stoppers and secure with set screws using the allen wrench that is included with stoppers.

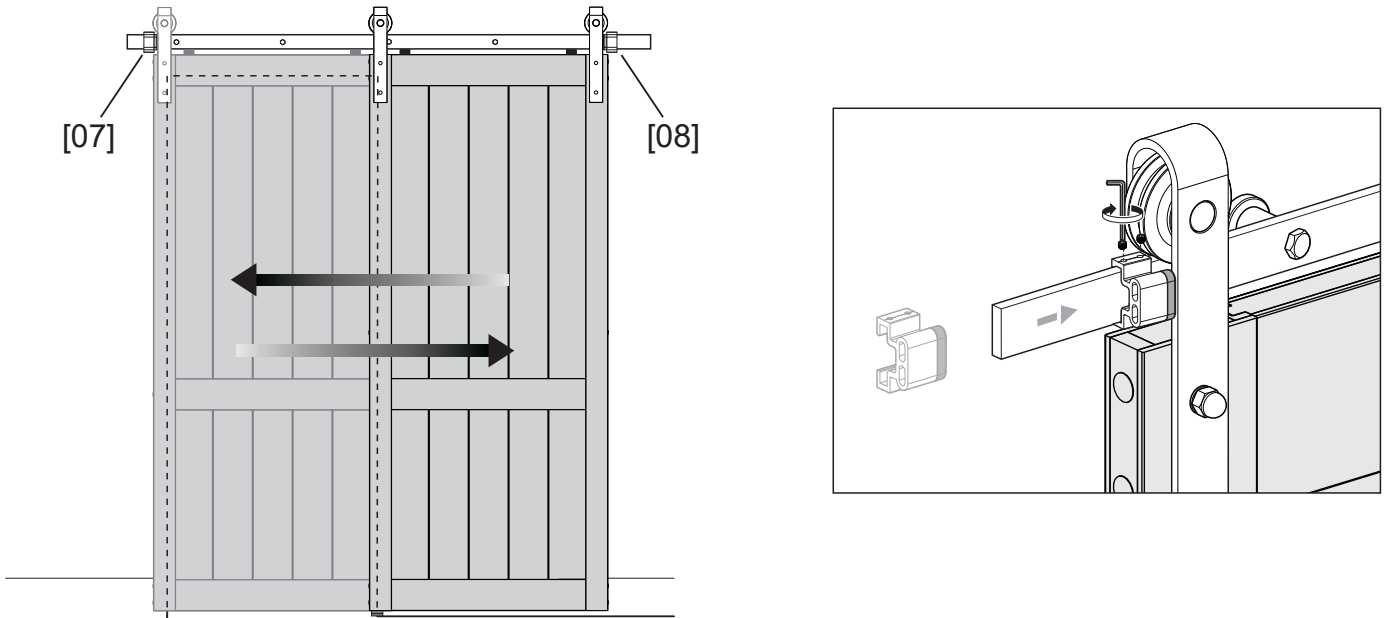


Fig 12

Step 13

Place the **Handle [05]** in the intended position on the door and secure it with **Screws [04]**.

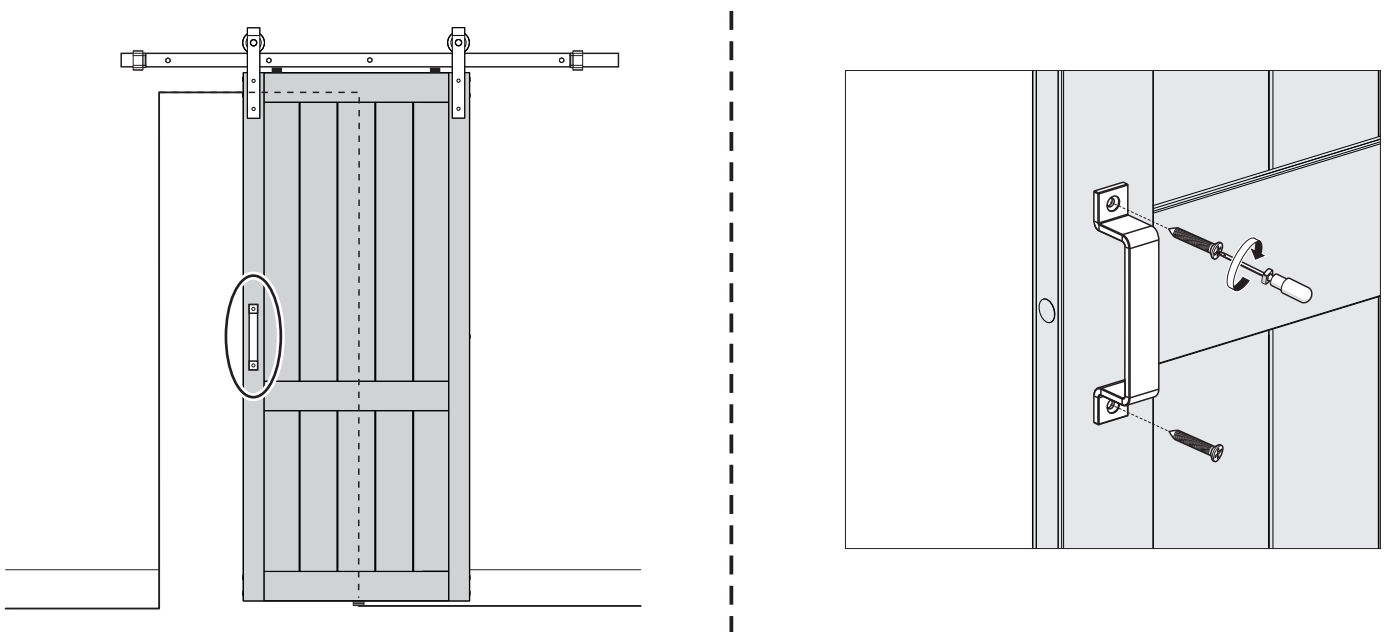


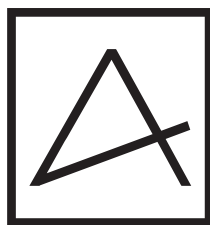
Fig 13

Care & Maintenance

For daily maintenance, use a wet cloth and a soft liquid cleaner.

Never use abrasive cleaners containing acetone, chlorine or strong bleach, scrapers, metallic brushes, nor other objects or products which can scratch or tarnish surfaces.

Check the bolts every 3 months and re-tighten them if necessary.



ANZZI®