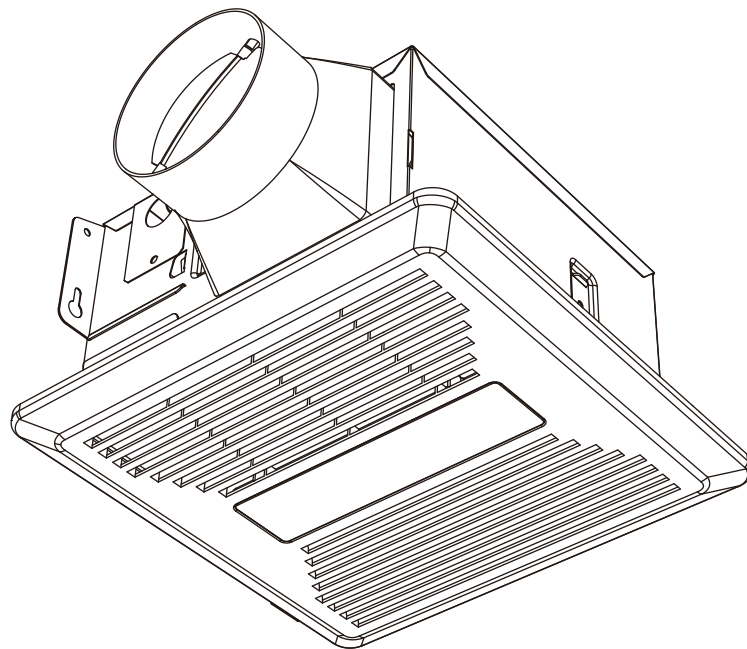


ANZZI®

ITEM: EF-AZ101WH  
EF-AZ102WH  
ANZZI EXHAUST FAN  
INSTALLATION & OPERATION MANUAL

V1.0  
12/18/2023



# DON'T WAIT! REGISTER NOW!

Register your product within 90 days to ensure your product is recognized as an official purchase and is eligible for warranty coverage.

Mail in the completed registry card (Pg. 2) or register online at <https://register.anzzihome.com/register/>.

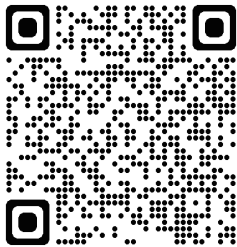


## PRODUCT REGISTRATION\*

**IMPORTANT:** Warranty will not be recognized unless product is registered.

**We offer two options to register your product.**

- 1. Register online at <https://register.anzzihome.com/register/>** or Scan the QR code below. Registering online is fast, secure, and ensures we receive your information.



- 2. Complete, cut out, and mail the registration card below.** Returning this registration card will ensure your product's warranty and allow us to process any warranty claims.

**Mail the card to: 5701 NW 35 Avenue, Miami, FL 33142**



Product Registration Card

Name..... Address .....

City.....State..... Zip.....

Phone ..... Email.....

Date of Purchase ..... Order or Purchase # ..... SKU or Model # .....

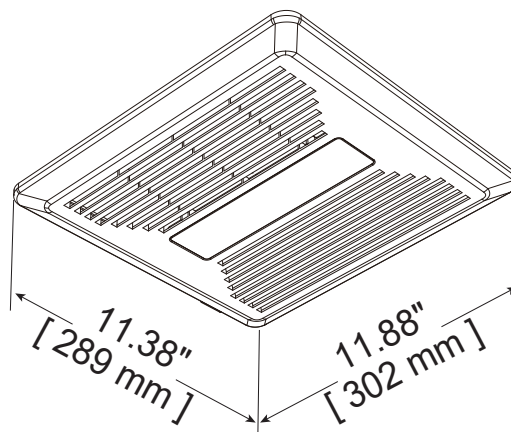
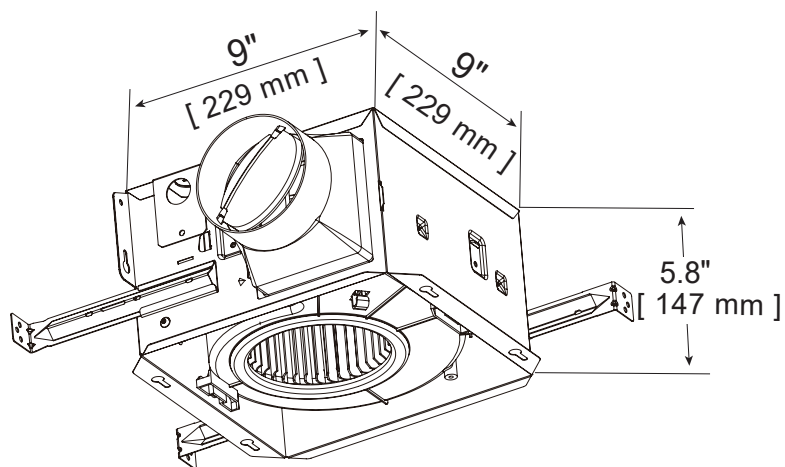
Installer's Name .....Phone .....

I have read the Owner's Manual carefully and understand and agree that any installation, operation or maintenance of the product must be done strictly in accordance with instructions and guidelines contained in the owner's manual and installation guide.

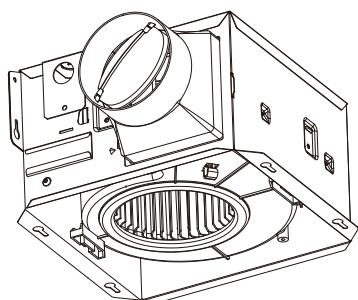
Signature \_\_\_\_\_ Date \_\_\_\_\_

**Need help? For technical support call 305-614-4070 or visit us at [www.ANZZI.com](http://www.ANZZI.com)**

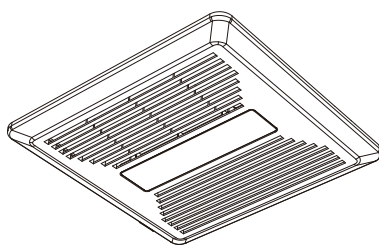
# PRODUCT SIZE CHART



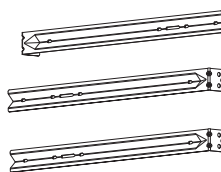
## COMPONENTS



[ 1 ]



[ 2 ]



[ 3 ]



[ 4 ]



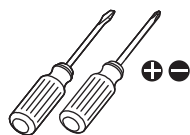
[ 5 ]



[ 6 ]

PART	Description	Qty.
1	Fan Body	1
2	Grille Assembly	1
3	Long Brackets	3
4	Short Bracket	1
5	Long Screws (#8 x 0.98")	4
6	Short Screws (#8 x 0.51")	2

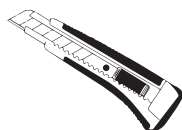
## TOOLS AND MATERIALS



Screwdriver



Jab saw



Utility knife



Gloves



Goggles



Duct tape

Thank you for purchasing an ANZZI Exhaust Fan. Please read and follow the installation and operation instructions carefully, to ensure the long life and reliable operation of this appliance. **FAILURE TO DO SO COULD CAUSE PROPERTY DAMAGE, SERIOUS INJURY, OR DEATH.** Please keep this manual for future reference.

# SAFETY PRECAUTIONS

## READ AND SAVE THESE INSTRUCTIONS

### **WARNING**

TO REDUCE THE RISK OF FIRE, ELECTRIC SHOCK, OR INJURY TO PERSONS, OBSERVE THE FOLLOWING:

- Use this unit only in the manner intended by the manufacturer. If you have questions, contact the manufacturer.

---

- Before servicing or cleaning unit, switch power off at service panel and lock the switch to prevent power from being switched on accidentally. When the switch cannot be locked, securely fasten a prominent warning device, such as a tag, to the service panel.

---

- Installation work and electrical wiring must be done by qualified person(s) in accordance with all applicable codes and standards, including fire-rated construction.

---

- When cutting or drilling into wall or ceiling, do not damage electrical wiring and other hidden utilities.

---

- Ducted fans must always be vented to the outdoors.

---

### **CAUTION**

- For General Ventilating Use Only. Do Not Use To Exhaust Hazardous Or Explosive Materials And Vapors.

---

- IN USA: INSTALL FAN AT LEAST 7 FEET (2.1M) ABOVE FLOOR. IN CANADA: INSTALL FAN AT LEAST 8.2 FEET (2.5M) ABOVE FLOOR.

---

- This product is designed for installation in ceilings up to a 12/12 pitch (45 degree angle). Duct connector must point up. DO NOT MOUNT THIS PRODUCT IN A WALL.

---

- To avoid motor bearing damage and noisy and/or unbalanced impellers, keep drywall spray, construction dust, etc. off power unit.

---

- Sufficient air is needed for proper combustion and exhausting of gases through the flue (chimney) of fuel burning equipment to prevent back drafting. Follow the heating equipment manufacturer's guideline and safety standards such as those published by the National Fire Protection Association (NFPA), and the American Society for Heating, Refrigeration and Air Conditioning Engineers (ASHRAE), and the local code authorities.

---

- If this unit is to be installed over a tub or shower, it must be marked as appropriate for the application and be connected to a GFCI (Ground Fault Circuit Interrupter) protected branch circuit.

---

- To Reduce The Risk Of Fire Or Electric Shock, Do Not Use This Fan With Any Solid-State Speed Control Device.

---

- NEVER place a switch where it can be reached from a tub or shower.

---

- This unit must be grounded.

---

- Not for use in cooking area. (See Fig 1)

---

- Please read specification label on product for further information and requirements.

---

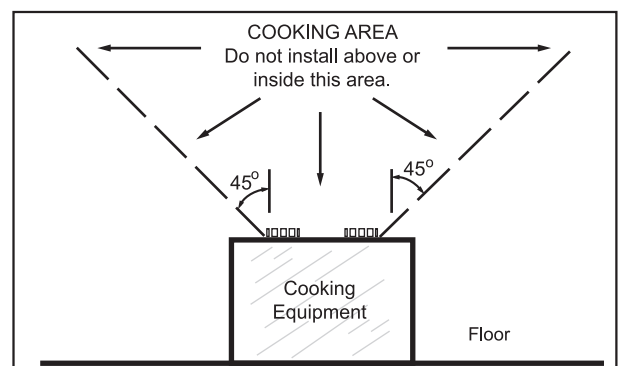



Fig 1

# NOTICE

- Follow all local electrical and safety codes, as well as the National Electrical Code (NEC) and the Occupational Safety and Health Act (OSH Act).
- Always disconnect the power source before working on or near the ventilating fan, motor or junction box.
- Make sure that the electric service supply voltage is AC 120V, 60Hz.
- Protect the power cord from sharp edges, oil, grease, hot surfaces, chemicals or other objects.

- Do not kink the power cord.
- Do not install the unit where ducts are configured as shown in Fig 2.

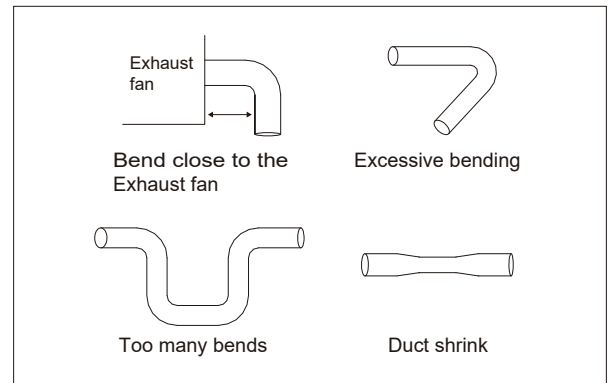


Fig 2

## INSTALLATION GUIDELINE

### ⚠ CAUTION

1. Install this fan in a GFCI protected branch circuit.
2. Check area above installation location to be sure that wiring can run to the planned location and that ductwork can be run. Make sure the area is sufficient for proper ventilation.
3. Inspect duct work and wiring before proceeding with installation.  
Note: Not all parts necessary for the installation of your exhaust fan are included. However, most are available at your local home improvement or hardware store.
4. Make sure there is adequate space for installation with 9" x 9.5" (duct direction) x 5.8" (Height).
5. Install proper insulation around the fan to minimize building heat loss and gain. 4" circular duct is needed for installation. The ducting from this fan to the outside of the building has a strong effect on the air flow, noise and energy use of the fan. Use the shortest, straightest duct routing possible for best performance, and avoid installing the fan with smaller ducts than recommended. Insulation around the ducts can reduce energy loss and inhibit mold growth. Fans installed with existing ducts may not achieve their rated air flow.
6. Use a roof cap or wall cap that has a built-in damper to reduce backdrafts.

# INSTALLATION EXAMPLE

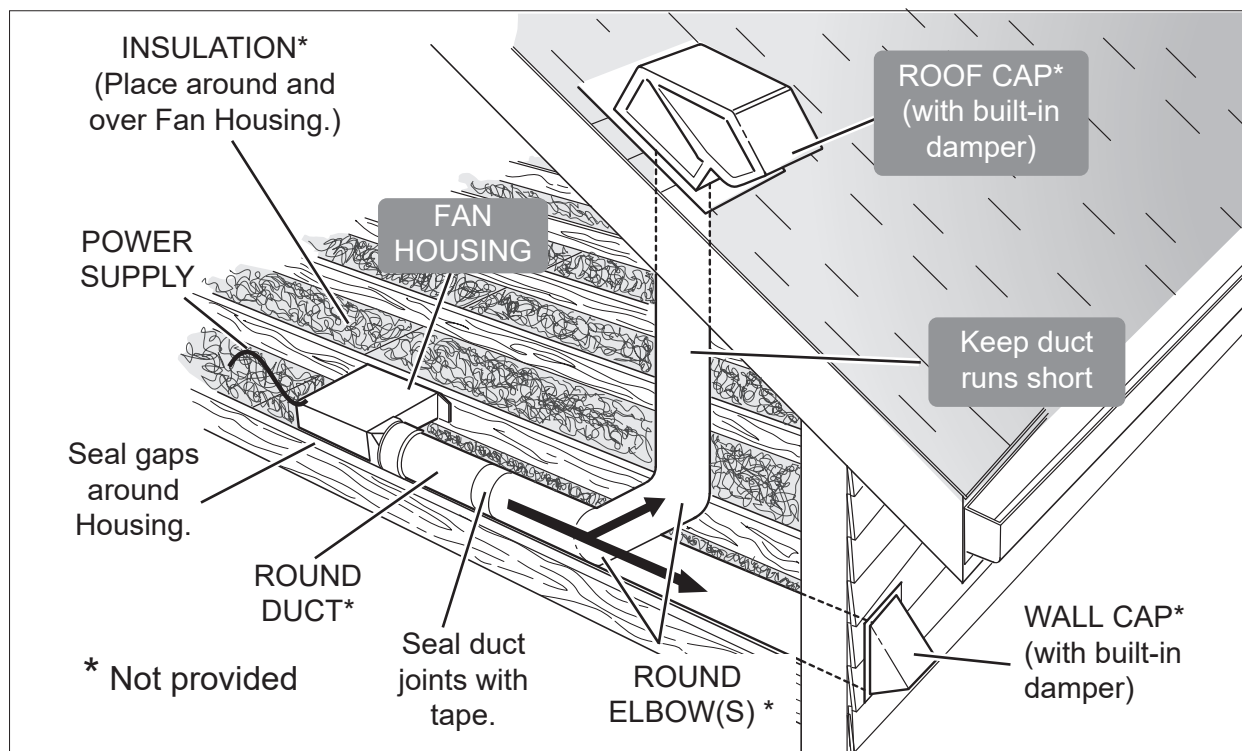


Fig 3

## INSTALLATION

### CAUTION

Shut down power supply at breaker box before starting installation.

### NOTICE

- You may need the help of a second person to install this fan – one person on the attic side and one on the room side.
- Be careful to cut hole to the correct size. If hole is too big, the fan grille will not hide it.
- Make sure there is space with 9" x 9.5" (duct direction) x 5.8" (Height).
- This fan can be installed to 9" - 24" between the joist or to I-joists, standard joists and truss construction.

# INSTALLATION

**Step 1-** There are multiple ways to install the fan. Choose the suitable one to follow below. Please check the instructions for ceiling or retrofit installations on page 11.

## MOUNTING THE FAN TO THE JOIST, "I" JOIST OR TRUSS DIRECTLY

Notice: Additional framing in 2" X 6" section size would be needed for "I" joist or joist and truss which are less than 6".

1. Position and hold the Fan Body [ 1 ] to the joist (truss or framing). Make sure the flange of housing is flush to the edge of joist.
2. Secure the tabs with Long Screws [ 5 ] as figure shows. (Fig 4)

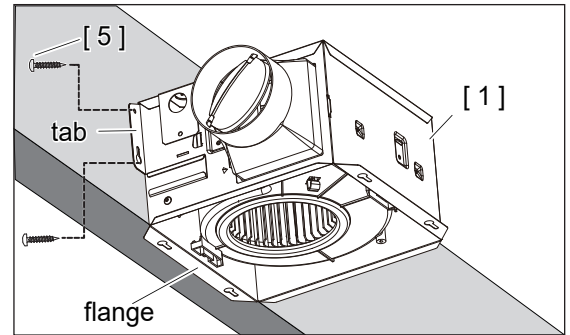


Fig 4

## MOUNTING THE FAN TO THE JOIST, "I" JOIST OR TRUSS WITH BRACKETS - 1

1. Insert one Long Bracket [ 3 ] to the slot at the backside of Fan Body [ 1 ] as figure shows. (Fig 5)
2. Position and hold the Fan Body [ 1 ] to the joist (truss or framing) as figure shows. Make sure the flange of housing is flush to the edge of joist. (Fig 6)
3. Secure the flange with Long Screws [ 5 ] as figure shows. (Fig 6)
4. Secure the Long Bracket [ 3 ] to joist with one Long Screw [ 5 ]. (Fig.6)
5. Install one Short Screw [ 6 ] to the hole of the Long Bracket [ 3 ] and secure. The hole should be close the center of Fan Body [ 1 ]. (Fig 7)  
Notice: You can install Fan Body [ 1 ] to the joist against the duct side by following steps above.

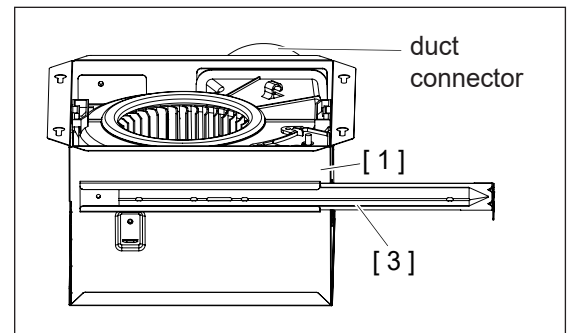


Fig 5

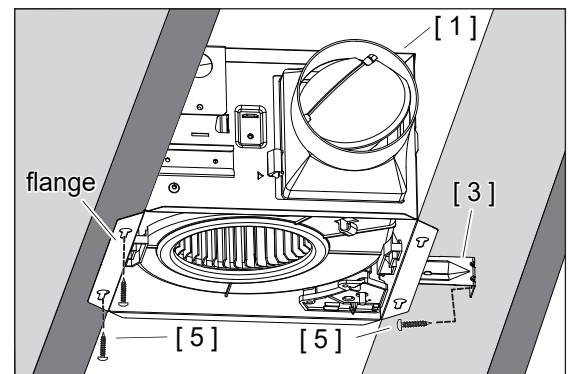


Fig 6

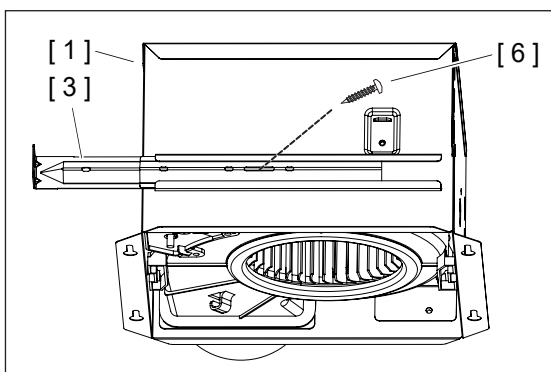


Fig 7

# INSTALLATION

## MOUNTING THE FAN TO THE JOIST, "I" JOIST OR TRUSS WITH BRACKETS - 2

1. Insert Short Bracket [ 4 ] to the slot at the duct side of Fan Body [ 1 ] as figure shows. (Fig 8)
2. Position and hold the Fan Body [ 1 ] to the joist (truss or framing) as figure shows. Make sure the flange of housing is flush to the edge of joist. (Fig 9)
3. Secure the flange with Long Screws [ 5 ] as figure shows. (Fig 9)
4. Secure the Short Bracket [ 4 ] to joist with one Long Screw [ 5 ]. (Fig 9)
5. Install one Short Screw [ 6 ] to the hole of the Short Bracket [ 4 ] and secure. The hole should be close to the center of the slot. (Fig 10)

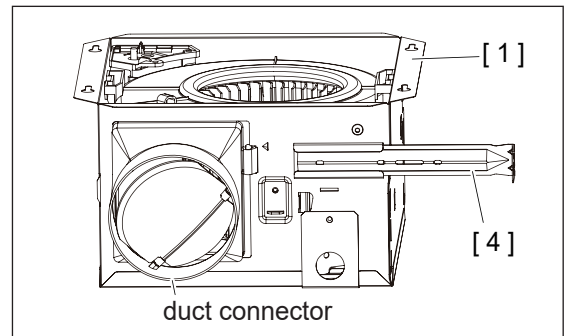


Fig 8

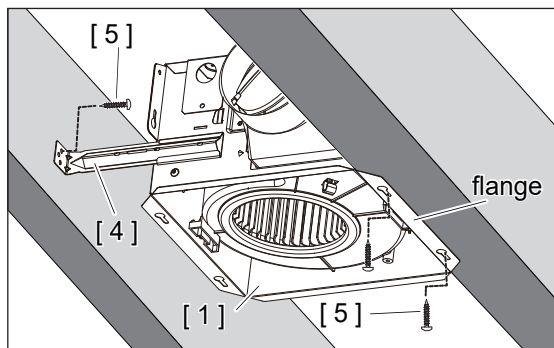


Fig 9

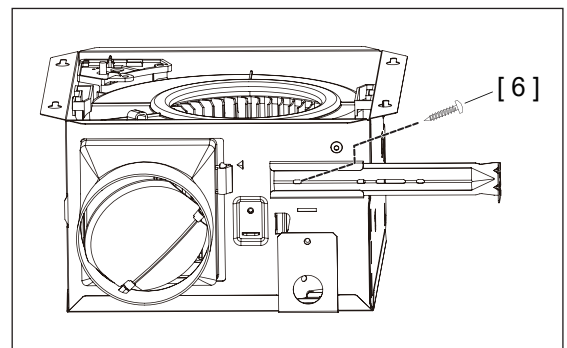


Fig 10

## MOUNTING THE FAN TO THE JOIST, "I" JOIST OR TRUSS WITH BRACKETS - 3

1. Insert two Long Brackets [ 3 ] to the slot at the backside of Fan Body [ 1 ] as figure shows. (Fig 11)
2. Insert the third Long Bracket [ 3 ] to the slot at the duct side of Fan Body [ 1 ] as figure shows. (Fig 12)
3. Insert the Fan Body [ 1 ] between joists.  
Note: Make sure the Fan Body [ 1 ] is level and perpendicular with the joist, and flush with the surface of the joists which are connected to the ceiling surface. (Fig 12)
4. Secure the brackets to joists with Long Screws [ 5 ]. (Fig 12)
5. Find the hole in the center of overlapped pair of Brackets [ 3 ]. Install one Short Screw [ 6 ] in the hole, close to the middle of the Fan Body [ 1 ]. (Fig 13)
6. Install one Short Screw [ 6 ] to the hole of the third bracket and secure. The hole should be close to the center of the slot. (Fig 13)

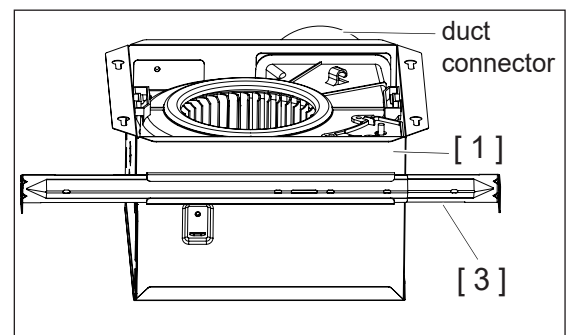


Fig 11



# INSTALLATION

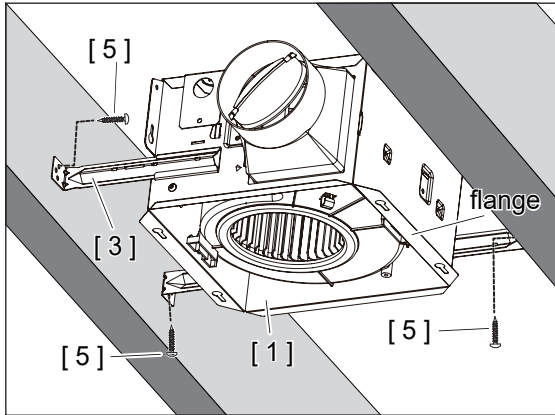


Fig 12

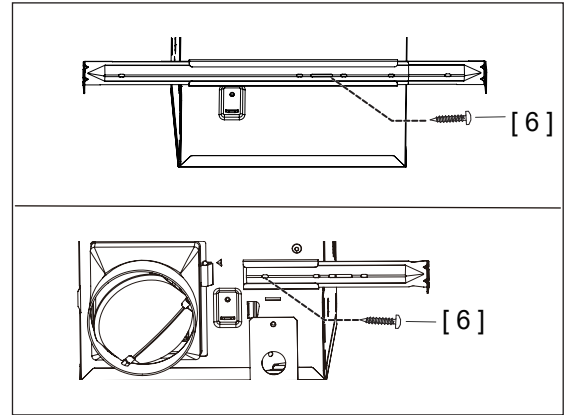


Fig 13

## Step 2

1. Make sure the damper is at the right place and can flip freely. Connect the 4" round ductwork (not provided) to the duct connector, and run the ductwork to a roof or wall cap (not provided).
2. Using tape (not included), secure all the ductwork connections so that they are air tight.

Note: Use the shortest, straightest duct routing possible for best performance, and avoid installing the fan with smaller ducts than recommended. Insulation around the ducts can reduce energy loss and inhibit mold growth. Fans installed with existing ducts may not achieve their rated air flow.

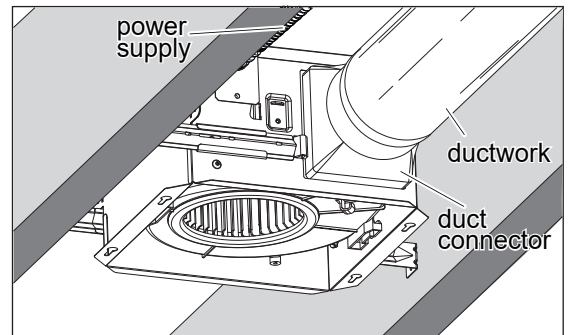


Fig 14

## Step 3

Run 120 VAC house wiring to the location of the fan. Use only UL-approved Wire Nut (not provided) to attach the house wiring to the wiring plate. Refer to the wiring diagram, and connect the wires as shown.

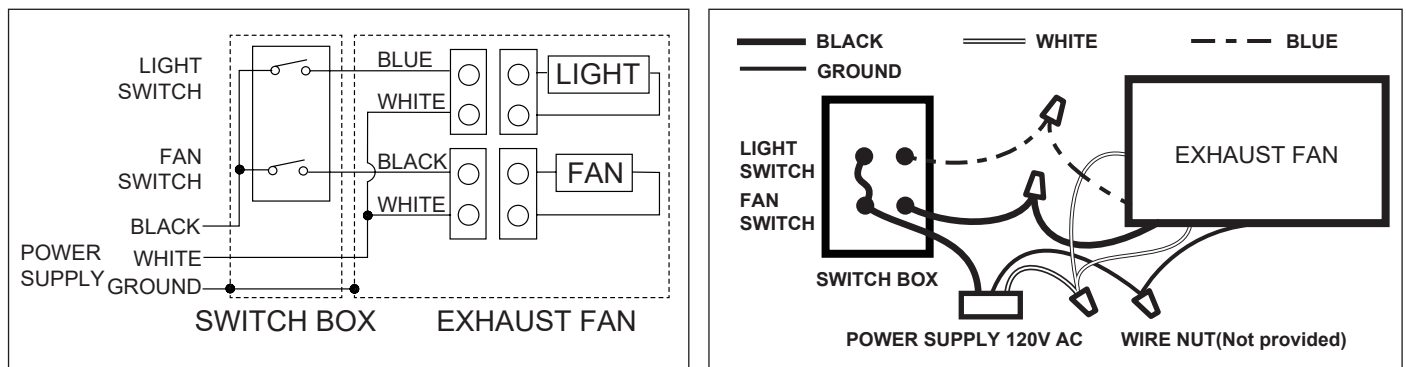


Fig 15

# INSTALLATION

## Step 4

1. Install ceiling material to complete the ceiling construction. Then, cut around the fan housing.
2. Remove dust from the Fan Body [ 1 ] with a vacuum cleaner. Do not use abrasive cloths, steel wool pads, or scouring powders. Never use solvents, thinner or harsh chemicals when cleaning the fan.
3. Plug the Light Connector into the receptacle of the Fan Body [ 1 ].

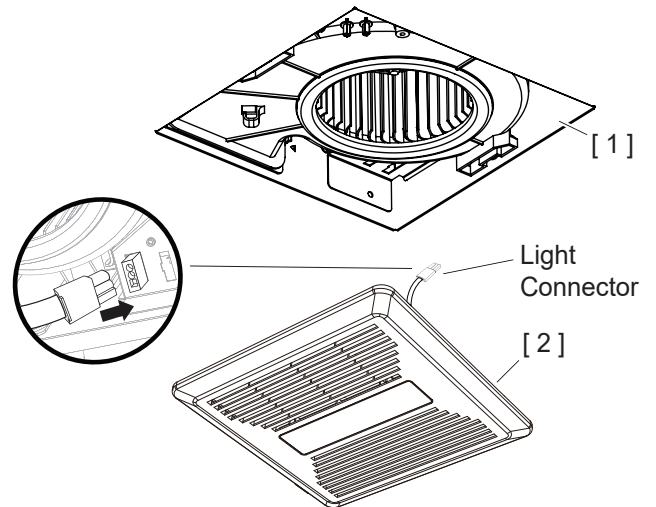


Fig 16

## Step 5

1. Pinch the Springs of Grille Assembly [ 2 ] on the sides and insert the Springs into the narrow rectangular Slots in Fan Body [ 1 ]. Then, push the Grille Assembly [ 2 ] towards the ceiling to secure.

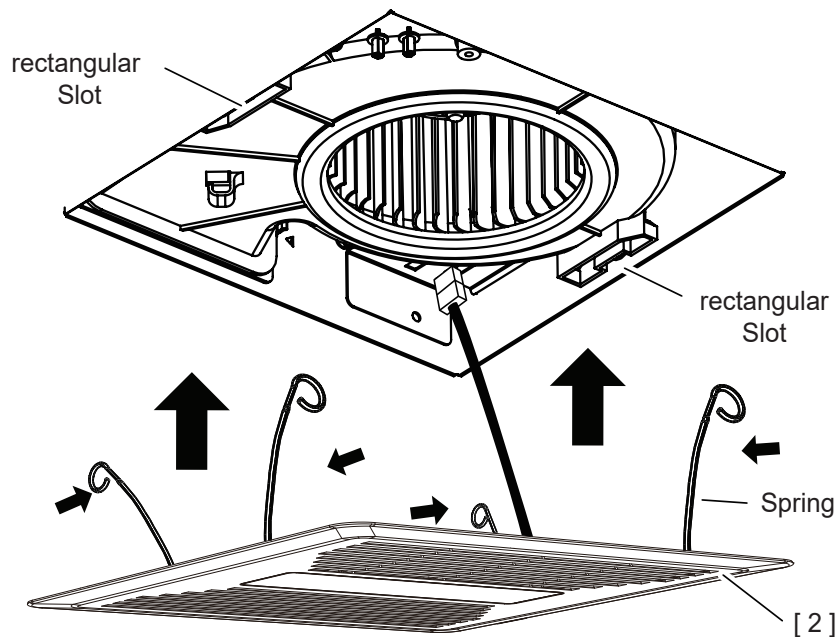


Fig 17

# INSTALLATION

## Step 1- MOUNTING THE FAN TO THE CEILING OR RETROFIT

1. Enlarge ceiling opening (if necessary) to 9" (parallel to duct direction) by 9.8" (perpendicular to duct direction). (Fig 18)
2. Remove the old fan and leave ductwork and wiring in place. (Fig 19)

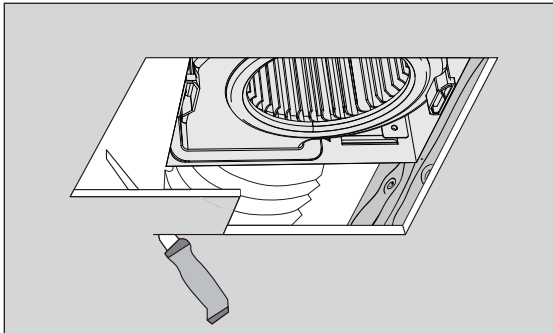


Fig 18

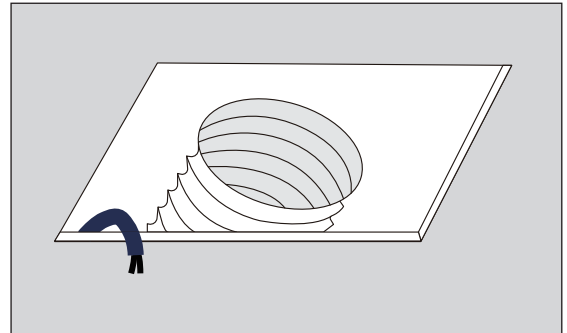


Fig 19

3. Unplug the connection from the wiring panel. (Fig 20.a)
4. Unscrew the screws which are holding the blower to the housing. (Fig 20.b)
5. Remove the blower from the fan housing. (Fig 20.b)

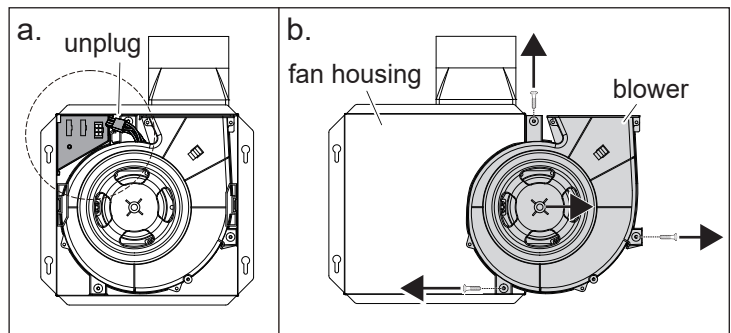


Fig 20

6. a. Remove the screw which is holding the wiring panel.  
b. Remove wiring panel from the fan housing.
7. Remove the duct connector from the fan housing.

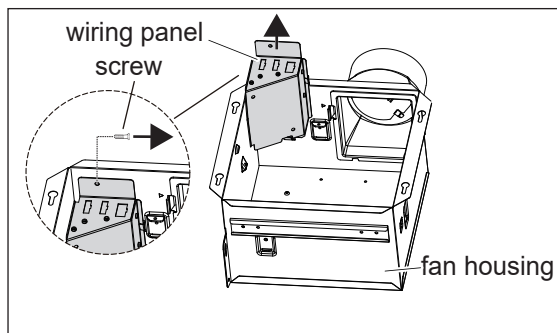


Fig 21

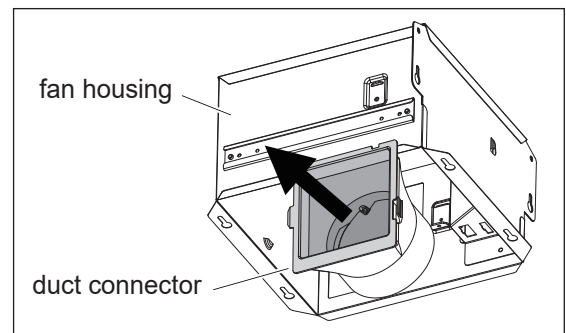


Fig 22

# INSTALLATION

8. Fold one tab flat to the duct side and the other tab to its counter side.

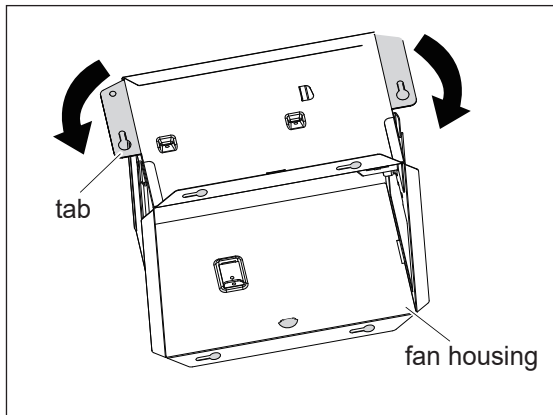


Fig 23

9. Slide the power cable through the hole of fan housing and connect it to housing with appropriate UL approved wire nuts. Connect black to black, white to white, blue line connect to wire from the light switch and green to green or bare wire. See Fig 15.

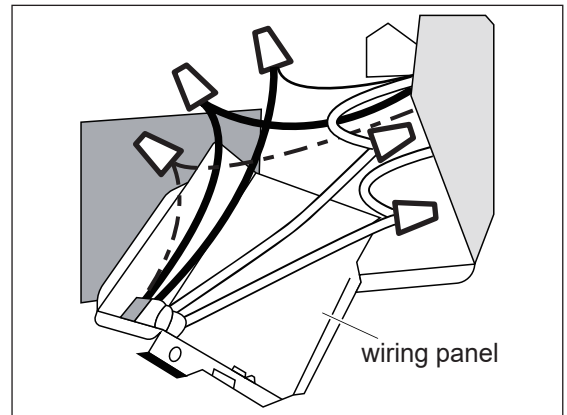


Fig 24

10. Re-install wiring panel and secure with screw.

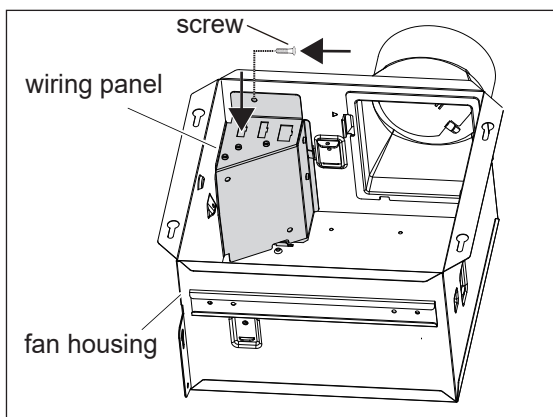


Fig 25

11. Place fan housing in opening so that its bottom edge is flush with finished ceiling. Attach to joist through holes with two Long Screws [ 5 ] as figure shows. (Fig 26)  
Notice: Use suitable framing for the gap between the fan housing and the joist. Secure the framing to the joist before attaching the fan housing to the framing to avoid noise.

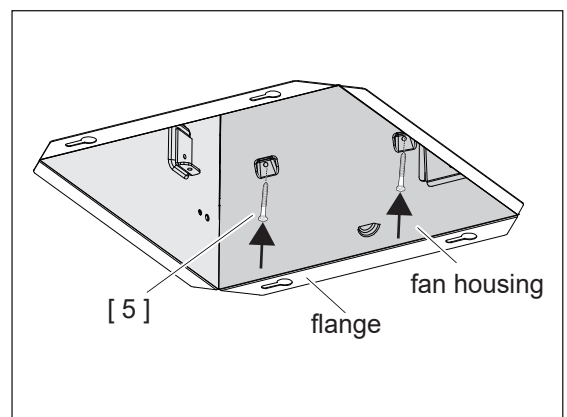


Fig 26

# INSTALLATION

## Step 2- MOUNTING THE FAN TO THE CEILING OR RETROFIT

1. Pull existing ducting through housing discharge opening and tape ducting to duct connector.
2. Push connector and ducting back through opening until it clips securely in place.

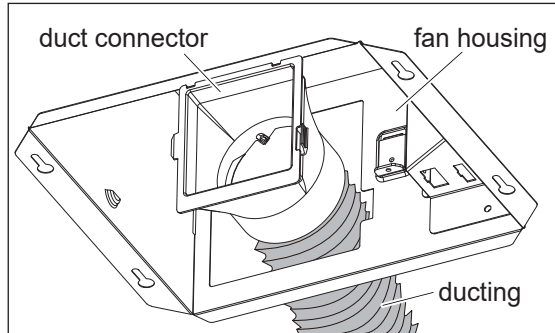


Fig 27

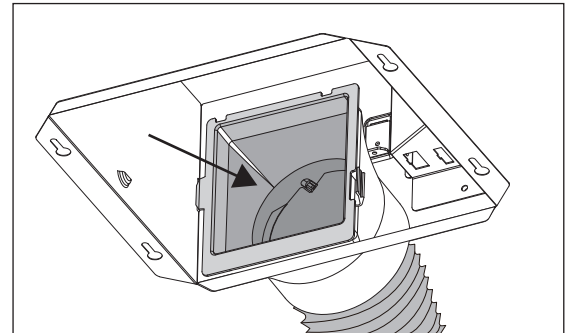


Fig 28

## Step 3

1. Re-install blower removed in Step 1. Secure blower with screws.
2. Install the connector of blower back to the receptacle again.

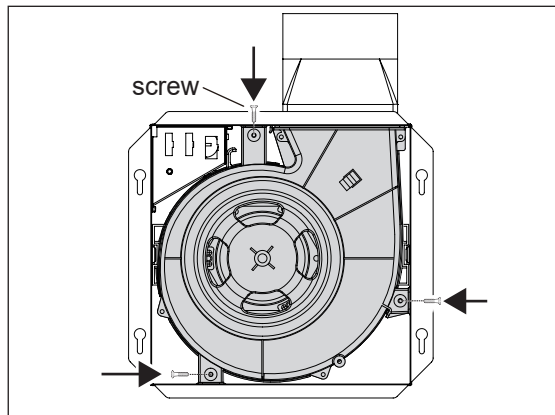


Fig 29

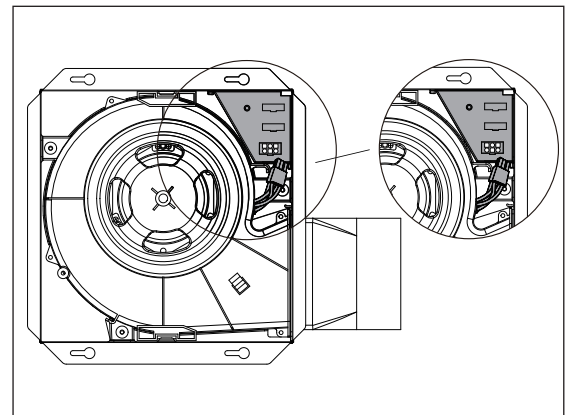


Fig 30

**See Step 4 & 5 at PG. 10 for Grille Assembly [ 2 ] installation.**

# OPERATING INSTRUCTIONS

## **WARNING**

This EXHAUST FAN must be properly installed before it is used.

1. Turn on the Light Switch to turn on the LED light.
2. Turn on the Fan Switch to start the fan.

# CLEANING AND MAINTENANCE

## **WARNING**

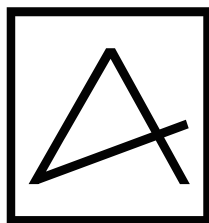
Always disconnect the power source before working on the ventilating fan.

1. Pull down the Grille Assembly [ 2 ] and squeeze springs to pull it out from the Fan Body [ 1 ]. Unplug the Grille Assembly [ 2 ] from Fan Body [ 1 ].
2. Remove dust and dirt from the Fan Body [ 1 ] with a vacuum cleaner. Do not use abrasive cloths, steel wool pads, or scouring powders. Never use solvents, thinners or harsh chemicals when cleaning the fan.
3. Plug the Grille Assembly [ 2 ] back into the receptacle of the Fan Body [ 1 ]. Install the Grille Assembly [ 2 ] back to the Fan Body [ 1 ].

## TROUBLE SHOOTING

SYMPTOMS	POSSIBLE CAUSE	RECOMMENDED ACTIONS
The fan is not turning on	<ol style="list-style-type: none"><li>1. Power off</li><li>2. Faulty switch</li><li>3. Faulty wire connection</li></ol>	<ol style="list-style-type: none"><li>1. Make sure power supply is on.</li><li>2. Test or replace switch.</li><li>3. Check wire in switch box.</li></ol>
The fan seems louder than it should	<ol style="list-style-type: none"><li>1. CFM rating is too high for room</li><li>2. Damper not working properly or damaged</li><li>3. Bend in duct too close to fan discharge</li><li>4. Fan discharge reduced to fit smaller duct</li><li>5. Fan body not securely attached</li></ol>	<ol style="list-style-type: none"><li>1. Be sure the CFM rating on the fan matches the size of your room.</li><li>2. Check damper to ensure it is opening and closing properly. If the damper has become damaged, please call Customer Service.</li><li>3. Be sure you do not have any sharp bends in duct closer than 18 in. to the fan discharge.</li><li>4. Use recommended size ducting to reduce fan noise.</li><li>5. Be sure the fan is securely attached to your ceiling joists.</li></ol>
The fan is not clearing the room	<ol style="list-style-type: none"><li>1. Insufficient intake airflow within room</li><li>2. Insufficient CFM</li></ol>	<ol style="list-style-type: none"><li>1. Be sure a door or window is slightly ajar or opened to allow airflow. The fan is not able to draw air out of the room without enough airflow to draw in from.</li><li>2. Be sure the CFM rating on the fan matches the requirements for your room size.</li></ol>





ANZZI®