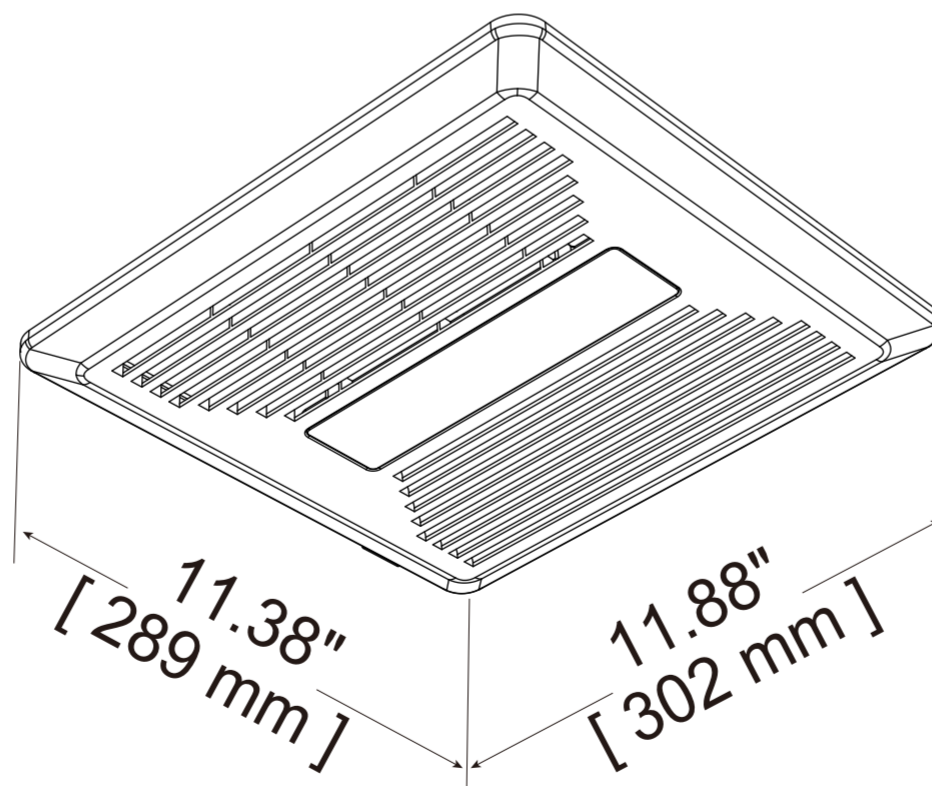
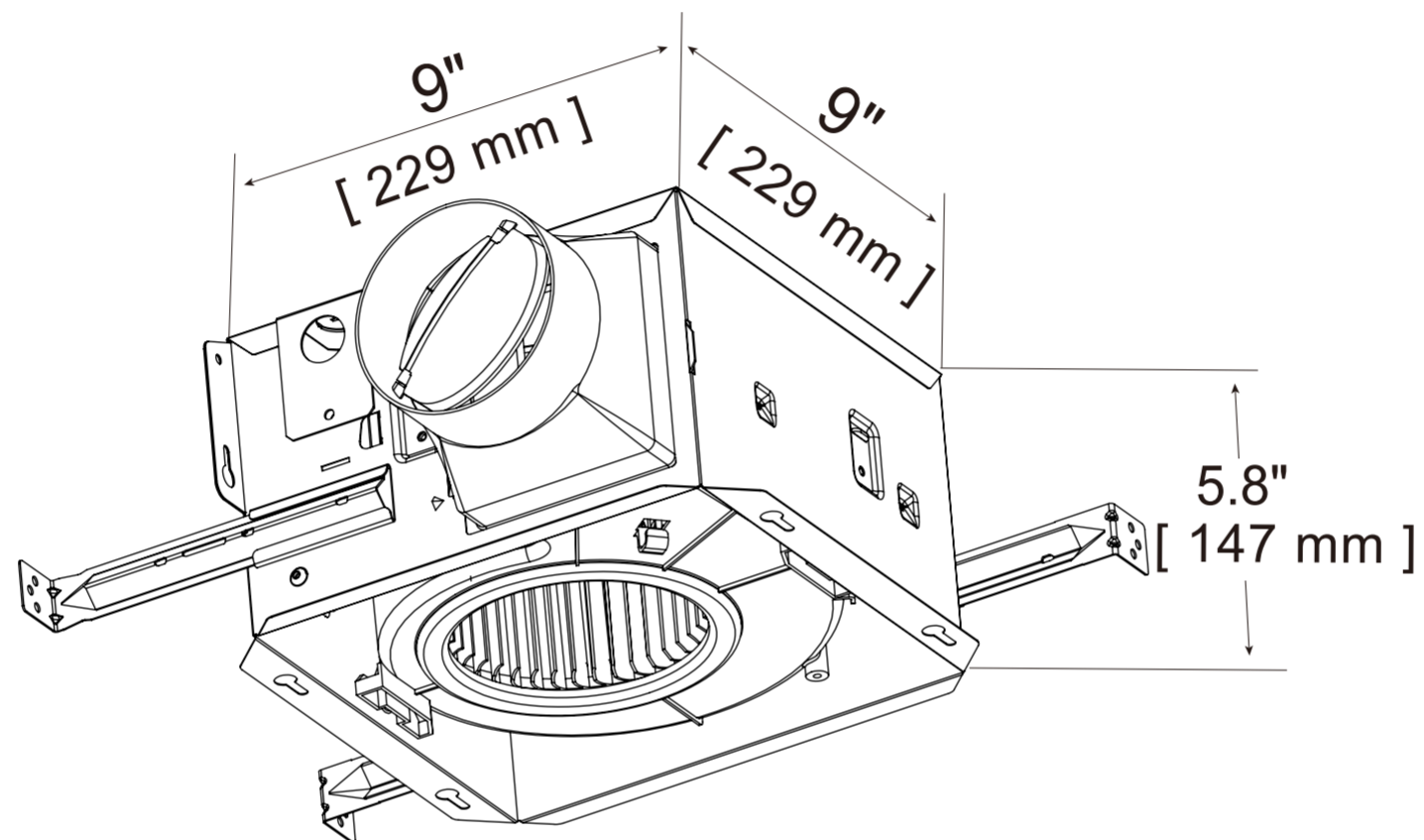




# EF-AZ101WH

## EXHAUST FAN



This fan can be installed to 9" - 24" between the joist or to I-joists, standard joists and truss construction.

HAVE QUESTIONS? CALL 305-614-4070 OR VISIT [ANZZI.COM](http://ANZZI.COM)