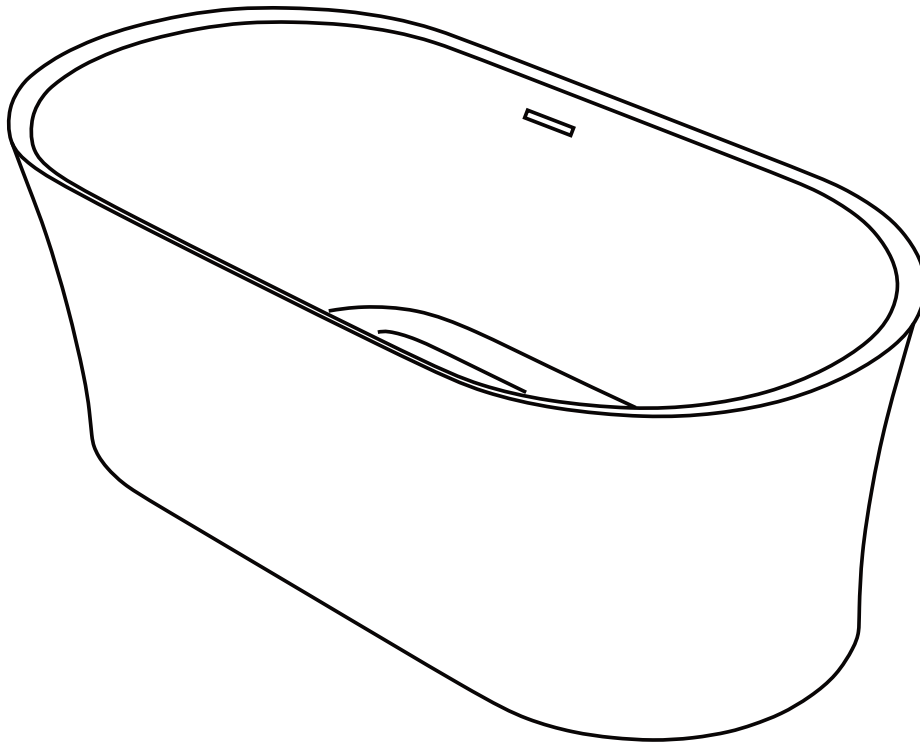


ANZZI™

FT-AZ067 JERICHO

AIR JETTED FREESTANDING BATHTUB
WITH CHROMA-LIGHTS

INSTALL & OPERATION MANUAL
V2.2



**DON'T WAIT!
REGISTER NOW!**

Register your product within 30 days to ensure your bathtub is recognized as an official purchase and is eligible for warranty coverage.

Mail in the completed registry card (Pg. 2) or register online at www.ANZZI.com/register.



PRODUCT REGISTRATION*

IMPORTANT: YOUR WARRANTY WILL NOT BE RECOGNIZED UNLESS THIS CARD IS FULLY COMPLETED AND RETURNED OR ONLINE REGISTRATION IS COMPLETED.

To ensure that your warranty is registered and confirmed please do one of the following:

1. **Register online at www.ANZZI.com/register.** You will be asked to fill out the same information you would in the registration card. Registering online is fast, secure and ensures we receive your information.

2. **Complete, cut-out and mail the registration card below.** By returning this registration card we confirm the date of purchase for your new product. This confirmation will allow us to process any warranty claims.

Mail the card to: 5701 NW 35 Avenue, Miami, FL 33142



Product Registration Card

Name Address

City State Zip

Phone Email.....

Date of Purchase.....

Installer's Name Phone

I have read the Owner's Manual carefully and understand and agree that any installation, operation or maintenance of the walk-in bathtub must be done strictly in accordance with instructions and guidelines contained in the owner's manual and installation guide.

Signature _____ Date _____



FT-AZ067

AIR JETTED FREESTANDING BATHTUB

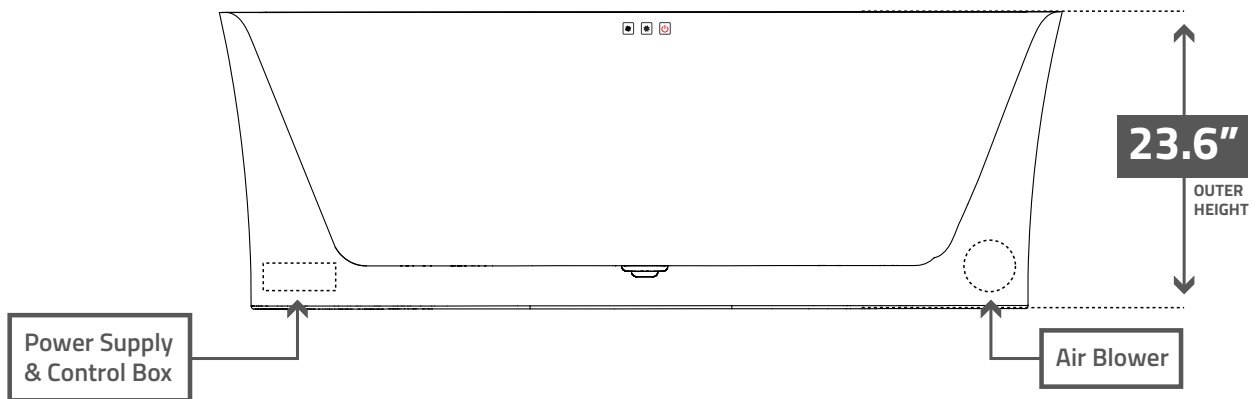
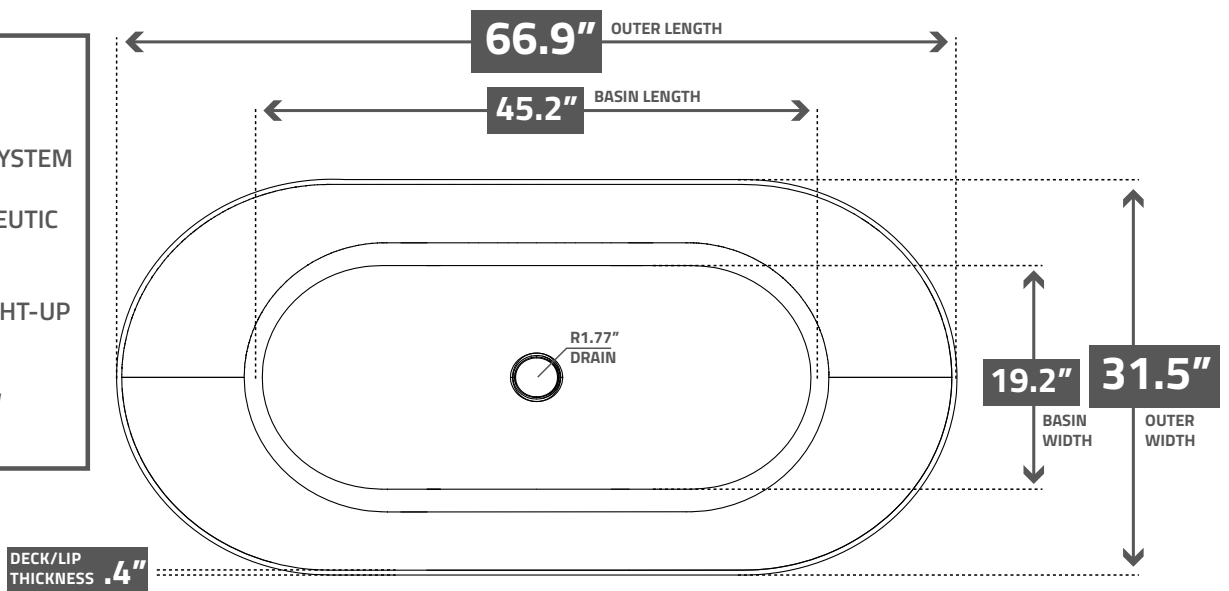
INCLUDES:

AERO-THERAPEUTIC
BUBBLE MASSAGE SYSTEM

4 CHROMA-THERAPEUTIC
BATHING LIGHTS

FEATHER TOUCH LIGHT-UP
CONTROL PAD

BUILT-IN OVERFLOW
AND POP-UP DRAIN





SAVE THIS MANUAL!

READ THESE INSTRUCTIONS COMPLETELY BEFORE INSTALLING THE PRODUCTS. FAILURE TO DO SO COULD RESULT IN AN IMPROPER INSTALLATION AND COULD VOID THE WARRANTY.

RESPONSIBILITY OF THE INSTALLER!

THE INSTALLER MUST INSPECT AND WATER TEST THE PRODUCT PRIOR TO INSTALLATION TO ENSURE THE UNIT IS FREE OF DEFECT OR DAMAGE. IN THE EVENT OF A PROBLEM, THE UNIT MUST NOT BE INSTALLED. IF THE CRATE OR THE PRODUCT HAS BEEN DAMAGED DURING SHIPPING, PLEASE CALL US IMMEDIATELY.

THIS PRODUCT MUST BE INSTALLED BY A LICENSED/CERTIFIED CONTRACTOR!

LICENSED PLUMBERS AND ELECTRICIANS SHOULD BE EMPLOYED TO INSURE PROPER INSTALLATION. INSTALLERS ASSUME ALL LIABILITY FOR THE CORRECT INSTALLATION PROCEDURES. ONLY ACCESSORIES AUTHORIZED BY THE MANUFACTURER SHOULD BE USED WITH THIS PRODUCT.

WARNING! WHEN USING THIS PRODUCT, BASIC PRECAUTIONS SHOULD ALWAYS BE FOLLOWED. READ AND FOLLOW ALL INSTRUCTIONS PERTAINING TO RISK OF FIRE, ELECTRICAL SHOCK, AND/OR OTHER INJURIES.

REPORT DAMAGES RIGHT AWAY! REPORT ANY DAMAGES TO THE BATHTUB WITHIN 5 BUSINESS DAYS. ANY DAMAGES DONE BEYOND THAT WILL BE ASSUMED TO HAVE HAPPENED DURING AND AFTER THE INSTALLATION.

TEST THE TUB BEFORE INSTALLATION! BEFORE PERMANENTLY INSTALLING THE BATHTUB, YOUR INSTALLER MUST TEST THE BATH. USE THE PROVIDED FLEX DRAIN, PLUG IN THE TUB AND POWER IT ON. RUN THE LIGHTS AND AIR JETS. ALSO, INSPECT FOR ANY LEAKING. ONLY IF THERE ARE NO SIGNS OF MALFUNCTION OR LEAKAGE SHOULD YOU PROCEED TO PERMANENTLY INSTALL THE UNIT.

LEVEL THE TUB AND AVOID LEAKAGE! CHECK THE AREA PRIOR TO INSTALLATION. USE THE JERICHO'S ADJUSTABLE FEET TO ENSURE THE BATHTUB IS PERFECTLY LEVEL. IT IS ESSENTIAL THAT ALL THE FEET ARE TOUCHING THE FLOOR/SURFACE. AN UNLEVELED TUB WILL RESULT IN LEAKAGE.

DO NOT RUN AIR JETS WITH NO WATER! DO NOT ACTIVATE THE AIR BUBBLE MASSAGE SYSTEM UNLESS THE TUB IS AT LEAST HALFWAY FILLED WITH WATER.



SAFETY INSTRUCTIONS

READ THESE INSTRUCTIONS COMPLETELY BEFORE INSTALLING THE PRODUCTS. FAILURE TO DO SO COULD RESULT IN AN IMPROPER INSTALLATION AND COULD VOID THE WARRANTY.

IMPORTANT SAFETY INSTRUCTIONS. INSTRUCTIONS IMPORTANTES RELATIVES A LA SECURITE.

READ AND FOLLOW ALL INSTRUCTIONS. LIRE ET SUIVRE TOUTES LES INSTRUCTIONS.

SAVE THESE INSTRUCTIONS. CONSERVER CES INSTRUCTIONS.

WARNING: RISK OF ACCIDENTAL INJURY OR DROWNING; CHILDREN SHOULD NOT USE HYDROMASSAGE BATHTUB WITHOUT ADULT SUPERVISION. **AVERTISSEMENT.** RISQUE DE BLESSURE ET DE NOYADE. NE PAS LAISSER UN ENFANT UTILISER LA CUVE A REMOUS EN L'ABSENCE D'UN ADULTE

WARNING: TO AVOID INJURY, EXERCISE CARE WHEN ENTERING OR EXITING THE HYDROMASSAGE BATHTUB. **AVERTISSEMENT.** POUR EVITER LES BLESSURES, USER DE PRUDENCE EN ENTRANT DANS LA CUVE A REMOUS ET EN LA QUITTANT.

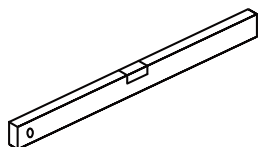
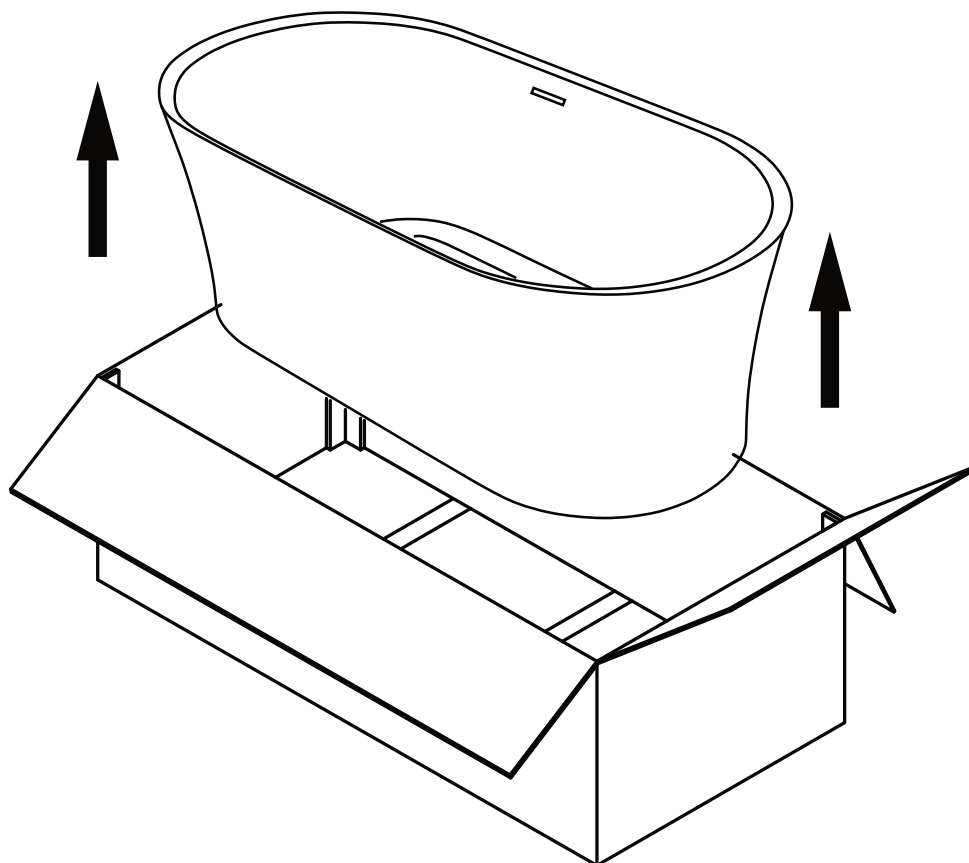
WARNING: RISK OF ELECTRIC SHOCK; DO NOT PERMIT ELECTRIC APPLIANCES (SUCH AS A HAIR DRYER, LAMP, TELEPHONE, RADIO, OR TELEVISION) WITHIN 1.5 M OF THIS HYDROMASSAGE BATHTUB. **AVERTISSEMENT.** RISQUE DE CHOC ELECTRIQUE. NE PAS PLACER D'APPAREILS ELECTRIQUES (LUMINAIRE, TÉLÉPHONE, RADIO, TELEVISEUR, ETC.) A MOINS DE 1.5 M DE CETTE CUVE A REMOUS.

CAUTION: TEST THE GROUND FAULT CIRCUIT INTERRUPTER PROTECTING THIS APPLIANCE PERIODICALLY IN ACCORDANCE WITH THE MANUFACTURER'S INSTRUCTIONS. **ATTENTION.** VERIFIER REGULIEREMENT LE FONCTIONNEMENT DU DISJONCTEUR DE FUITE A LA TERRE CONFORMEMENT AUX INSTRUCTIONS DU FABRICANT.



UNPACK THE BATHTUB

REMOVE THE BATHTUB FROM THE BOX AND PREPARE THE FOLLOWING TOOLS.



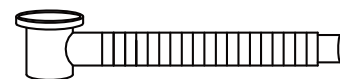
**LEVELER
RULER**



**ADJUSTABLE
WRENCH**



**TEFLON
TAPE**



**FLEXIBLE
DRAIN**
included

NOTE: THE INCLUDED FLEXIBLE DRAIN IS TO BE USED ONLY TO TEST THE BATHTUB BEFORE PERMANENT INSTALLATION. IT IS THE RESPONSIBILITY OF THE INSTALLER TO PROVIDE THE PERMANENT DRAIN ASSEMBLY.



** All JERICHO bathtubs are 100% water tested at the factory and certified to be free of leaks. Transportation and mishandling may cause leaks. It is necessary to test the bathtub while there is access to all sides of the bathtub.*

TEST THE BATHTUB WHILE YOU HAVE ACCESS TO THE BOTTOM AND BEFORE PERMANENTLY INSTALLED.

READ AND FOLLOW ALL INSTRUCTIONS

- Place the tub on a completely flat surface in an area where it may be drained after testing.
- Close the drain and fill the tub about half way.
- Allow the water to stand in tub for 30 minutes and then inspect all plumbing and seals for leaks.
- Supply power to unit and run for 10 minutes and inspect for leaks.

NOTE: IF THE PUMPS DO NOT OPERATE, CHECK THE BREAKER TO ENSURE POWER IS ON AND THE CABLE CONNECTING THE CONTROLS TO THE PUMP IS ATTACHED.

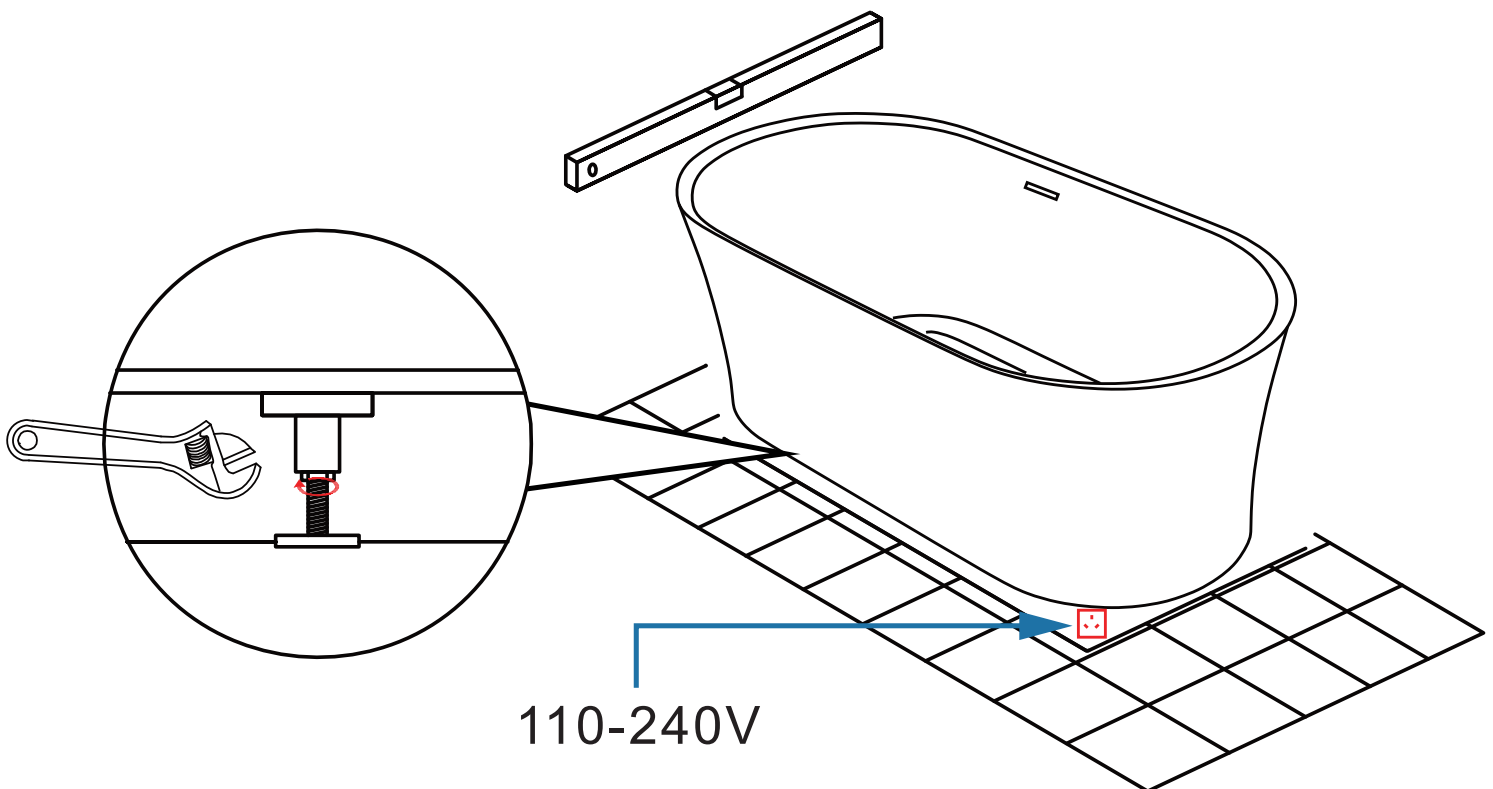
WARNING! DO NOT RUN THE PUMP UNLESS THE TUB IS FILLED WITH WATER TO PROPER LEVEL. DAMAGE DUE TO DRY RUNNING PUMPS IS NOT COVERED UNDER WARRANTY. FAILURE TO PERFORM THESE TESTS BEFORE INSTALLATION WILL MAKE THE INSTALLER LIABLE FOR FUTURE REPAIR COSTS.



INSTALLING THE BATHTUB

MOVE THE BATHTUB TO THE SELECTED INSTALLATION POSITION, (MAKE SURE THAT THE FLOOR SURFACE CAN SUPPORT THE LOAD CAPACITY), AND PLACE IS IN THE PROPER (OR DESIRED) ORIENTATION. THEN USE A LEVEL TO ENSURE THE TUB SURFACE IS LEVEL. IF NOT, LIFT ONE END OF THE BATHTUB, AND LOOSEN THE ADJUSTING NUT ON THE TUB FOOT AS SHOWN IN THE FIGURE. AFTER ADJUSTING THE LEVELING FOOT TO A SUITABLE POSITION, THEN TIGHTEN SECURING NUT.

WARNING: MAKE SURE THE TUB IS PERFECTLY LEVEL TO PREVENT LEAKAGE. USE THE ADJUSTABLE LEVELING FEET TO ENSURE A LEVEL TUB. ALL LEVELING FEET MUST MAKE CONTACT WITH THE FLOOR / SURFACE.

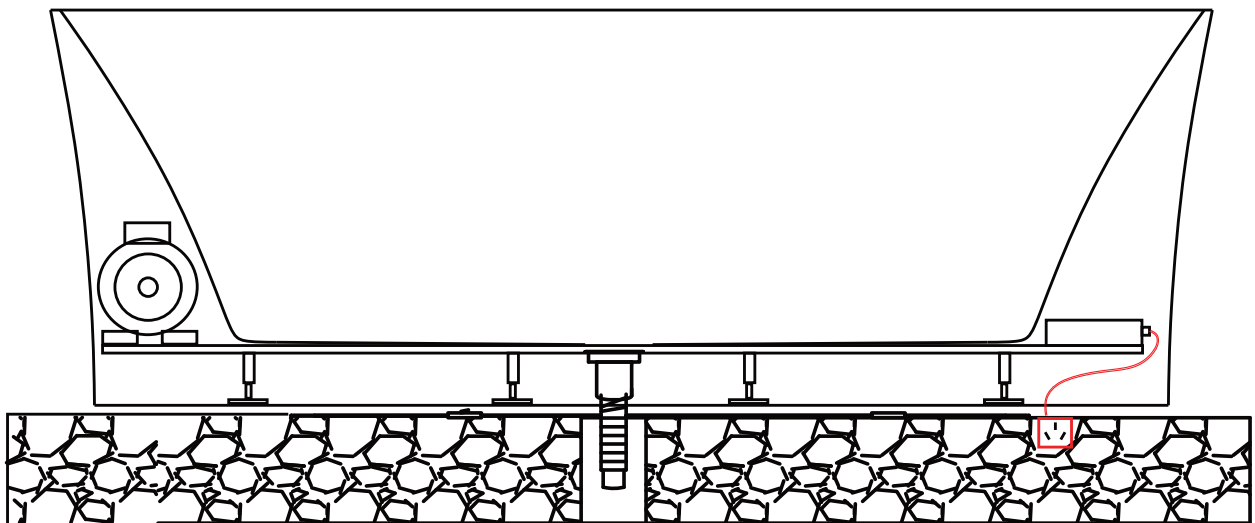




INSTALLING THE BATHTUB

PLUG IN THE ELECTRICAL CORD INTO THE GFCI PROTECTED OUTLET. CONNECT THE DRAIN LINE TO THE TUB DRAIN USING TEFLON TAPE.

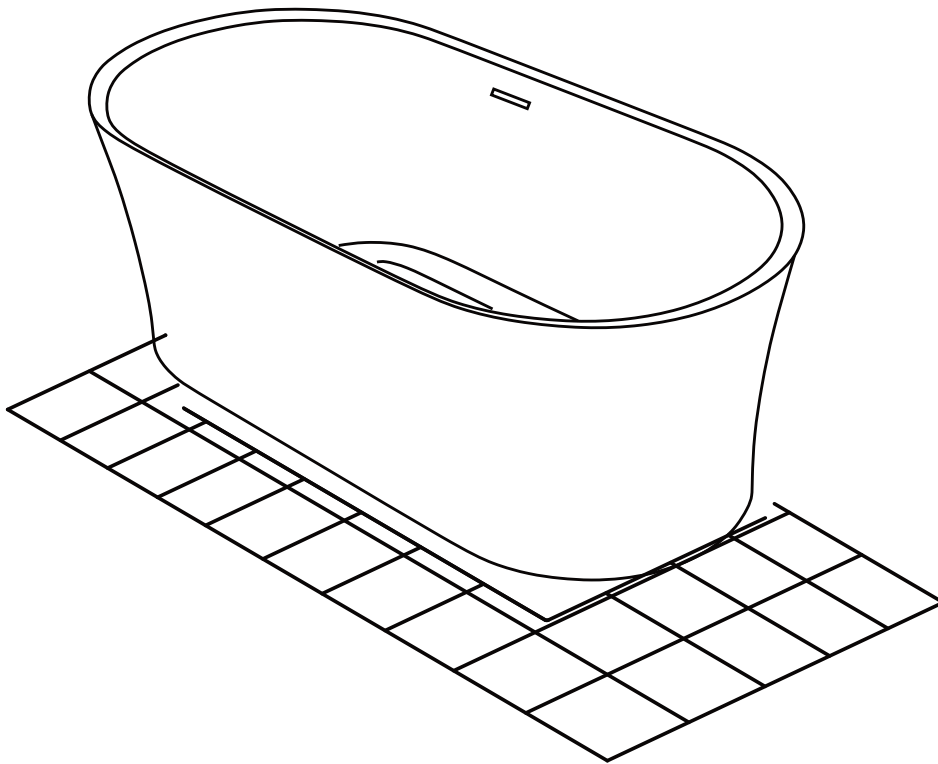
NOTE: THE INCLUDED FLEXIBLE DRAIN IS TO BE USED ONLY TO THE TEST THE BATHTUB BEFORE PERMANENT INSTALLATION. IT IS THE RESPONSIBILITY OF THE INSTALLER TO PROVIDE THE PERMANENT DRAIN ASSEMBLY.





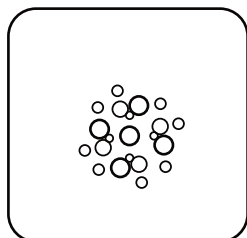
FILL THE BATHTUB

FINALLY FILL THE BATHTUB WITH WATER. REMEMBER TO ONLY FUN THE AIR JETS WHEN THE TUB IS FILLED WITH WATER.

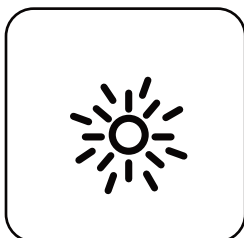




OPERATING GUIDE



**BUBBLE MASSAGE
ON / OFF BUTTON**



**CHROMA-LIGHT
ON / OFF BUTTON**



**BATHTUB POWER
ON / OFF BUTTON**

POWER THE BATHTUB

To turn on the system, press the power button, and the indicator light will come on. Then press either the “Light” Button or “Air Pump” button to turn on the desired Function, press again to turn off the function. (While the functions are active, the button will have a red back light, when powered off it will have a white back light).

If no button is pressed for 10 seconds the control buttons will lock, and the “Power” button will begin to flash. To unlock, press and hold the power button for 2 seconds, until the button stops flashing. You can now activate the other buttons as desired. Please note, the system will automatically power itself off after 60 minutes.

Press the “Power” button. If system is locked press and hold the “Power” button for 2 seconds, then press the power button again to turn off the system.

AIR BUBBLE MASSAGE SYSTEM

The Air pump should be used when the tub is filled. The Air pump will power off after 5 minutes if there is no water in the tub.

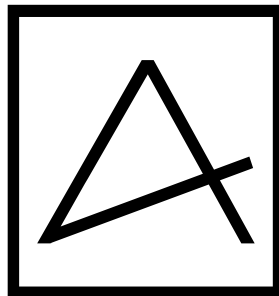
CHROMA-LIGHT

When powered on the light will cycle through all available colors.



NEED A FREESTANDING FAUCET OR SHOWER HEAD SYSTEM FOR YOUR NEW BATHTUB? CHECK OUT ANZZI'S EXPANSIVE LUXURY BATH CATALOG.

VISIT WWW.AZZI.COM AND BROWSE THROUGH OUR COLLECTION OF BATHROOM FIXTURES AND ACCESSORIES INSPIRED BY THE LATEST TRENDS AND STYLES.



ANZZI™