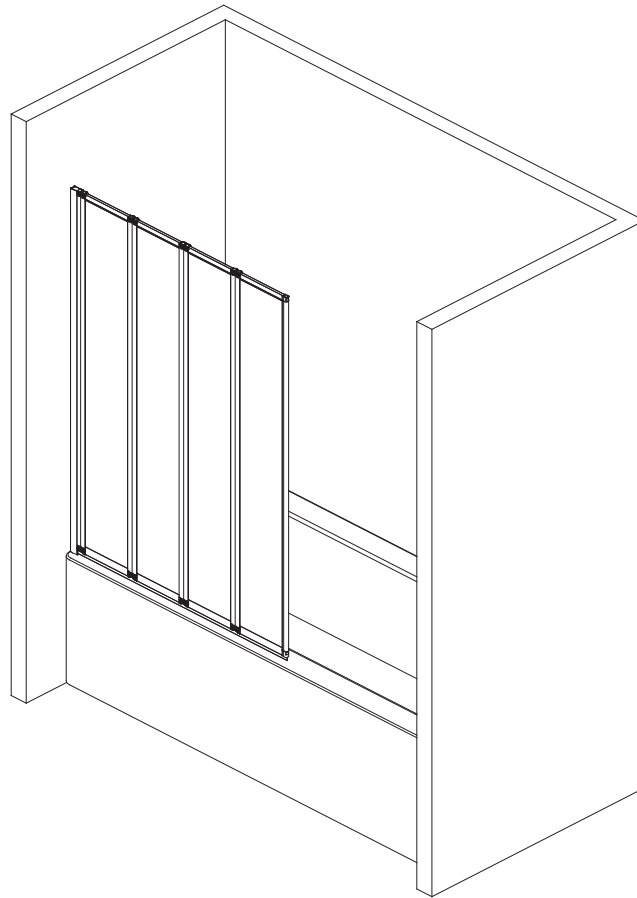


ANZZI®

ITEM: SD-AZ16-01\*\*  
ANZZI TUB DOOR  
INSTALLATION & OPERATION MANUAL

V1.0  
08/25/2023



# DON'T WAIT! REGISTER NOW!

Register your product within 90 days to ensure your product is recognized as an official purchase and is eligible for warranty coverage.

Mail in the completed registry card (Pg. 2) or register online at <https://register.anzzihome.com/register/>.

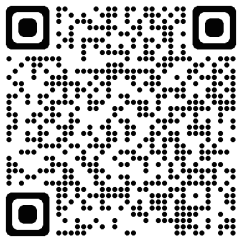


# PRODUCT REGISTRATION\*

**IMPORTANT:** Warranty will not be recognized unless product is registered.

**We offer two options to register your product.**

- 1. **Register online at <https://register.anzzihome.com/register/>** or Scan the QR code below. Registering online is fast, secure, and ensures we receive your information.



- 2. **Complete, cut out, and mail the registration card below.** Returning this registration card will ensure your product's warranty and allow us to process any warranty claims.

**Mail the card to: 5701 NW 35 Avenue, Miami, FL 33142**



Product Registration Card

Name..... Address .....

City.....State..... Zip.....

Phone ..... Email.....

Date of Purchase ..... Order or Purchase # ..... SKU or Model # .....

Installer's Name .....Phone .....

I have read the Owner's Manual carefully and understand and agree that any installation, operation or maintenance of the product must be done strictly in accordance with instructions and guidelines contained in the owner's manual and installation guide.

Signature \_\_\_\_\_ Date \_\_\_\_\_

**Need help? For technical support call 305-614-4070 or visit us at [www.ANZZI.com](http://www.ANZZI.com)**



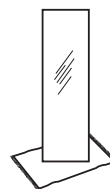
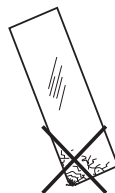
# STOP!

**READ BEFORE YOU PROCEED!**

**TO KEEP GLASS FROM BREAKING:  
Use two people when installing.  
This product is heavy.**

 **WARNING**

PROTECTIVE EQUIPMENT MUST BE WORN WHEN HANDLING GLASS



# INSTALLATION GUIDE

## BEFORE YOU BEGIN

- Please check the product for damage and missing parts immediately upon delivery. Damage reported later will not be covered by our warranty. Please handle the product with care. Avoid any impact to the sides and edges of the glass.
- Consult your local building codes before installation.
- To reduce the risk of breakage, keep corner protectors on the glass while installing.
- If this unit is being installed in new construction, please install all required plumbing and drainage before installing the shower. Use a licensed plumber/contractor (if required by local code) for all plumbing installations.
- Before beginning installation, make sure all surfaces are level, solid and will support the total weight of the unit. Also, make sure the walls are at right angles. Irregular installation surface level, radius corners, or improper angle of side walls will result in serious problems for your installation. Please note that some adjustments and drilling might be necessary during the installation process.
- Please protect all primary surfaces of the product during installation. Never set your glass down directly onto a tile floor. Leave corner protectors in place until necessary to remove them. Always use wood or cardboard to protect the bottom edge and corners of the glass before and during installation.



## WARNING

- This unit must be installed upon a finished threshold and against finished walls.
- Take care to avoid hidden pipes or electrical cables when drilling holes in walls.
- This product is heavy and requires two people to install it.
- When cutting or drilling metal components or handling glass, wear protective eye wear, gloves, and closed-toe shoes to reduce the risk of personal injury.
- Failure to follow instructions when installing this product may result in personal injury, property damage, or product failure and may void the warranty.

# INSTALLATION GUIDE

## BEFORE YOU BEGIN



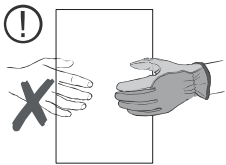
### ATTENTION

- Surface of the tub deck must be level for better sealing.
- This model requires a minimum 1" (25.4mm) flat level tub deck for sealing.

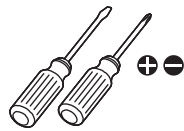
### Tools Required



- This product is heavy and requires two people to install.



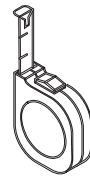
- Use cut-resistant, non-slip gloves to reduce the risk of personal injury and to hold the glass firmly.



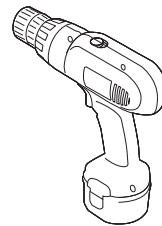
Screwdriver



Level



Tape Measure



Drill



1/8"  
(3mm)  
Drill Bit



1/4"  
(6mm)  
Drill Bit



100%  
Silicone  
Mallet



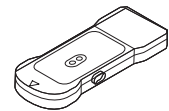
Pencil



Rubber  
Hammer



Safety  
Glasses



Stud Finder



**This product is heavy and requires two people to install.**

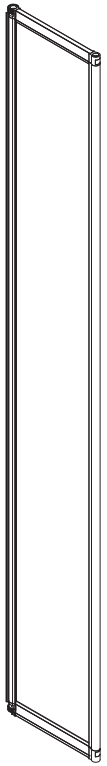




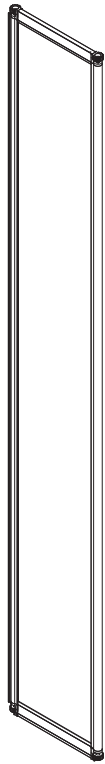
# WARNING

To prevent damage to glass and potential injury, make sure to follow the instructions on page 1.

## PARTS



[01] X 1



[02] X 3



[03] X 1



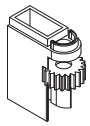
[04] X 1



[05] X 4



[06] X 1



[07] X 1



[08] X 1



[09] X 8



[10] X 16



[11] X 16  
ST3X30



[12] X 8



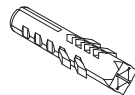
[13] X 3



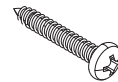
[14] X 3  
ST4X10



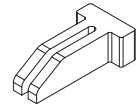
[15] X 3



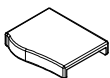
[16] X 3



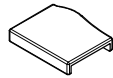
[17] X 3  
ST4X30



[18] Supporting Bracket



[19] X 1



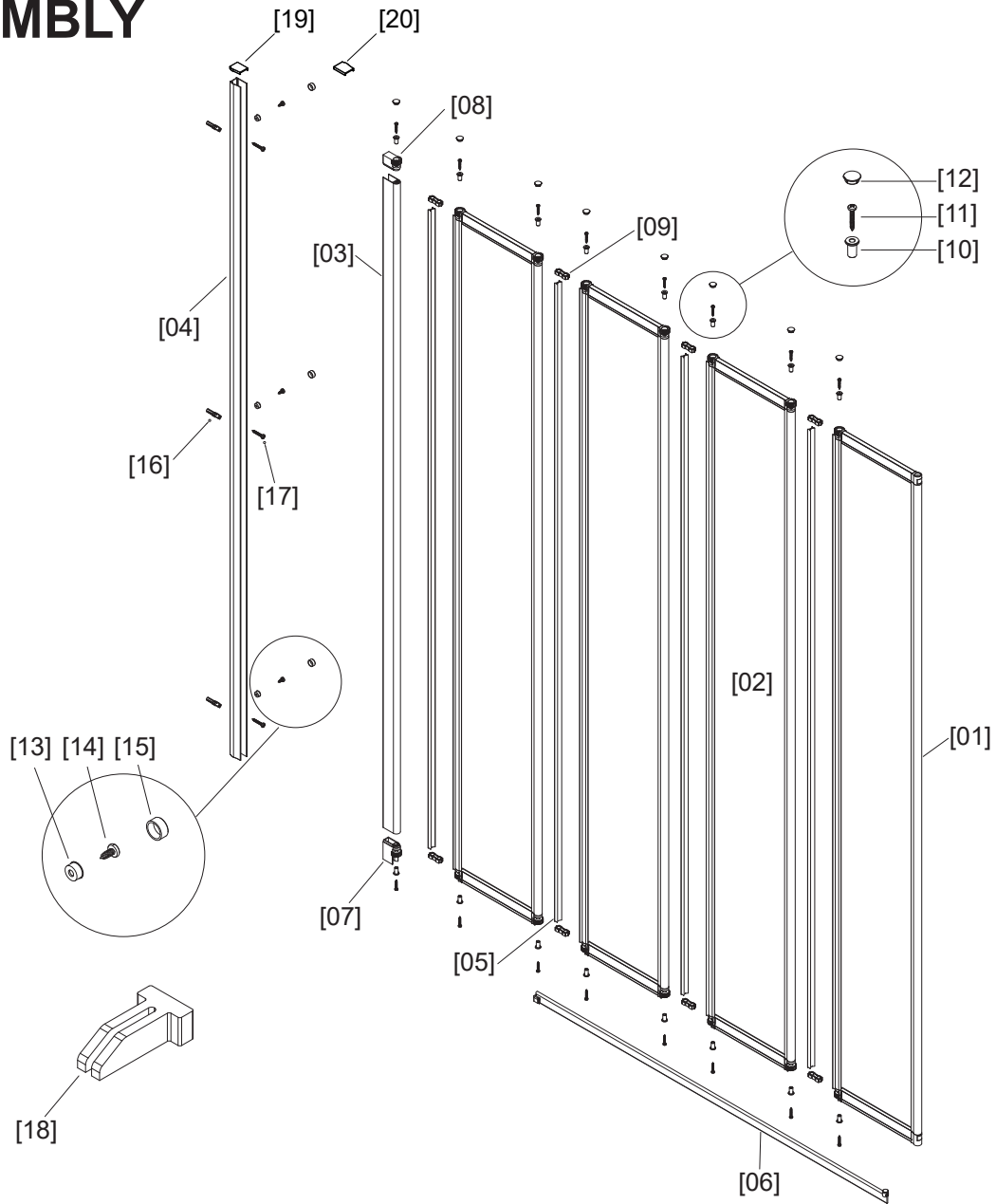
[20] X 1



# WARNING

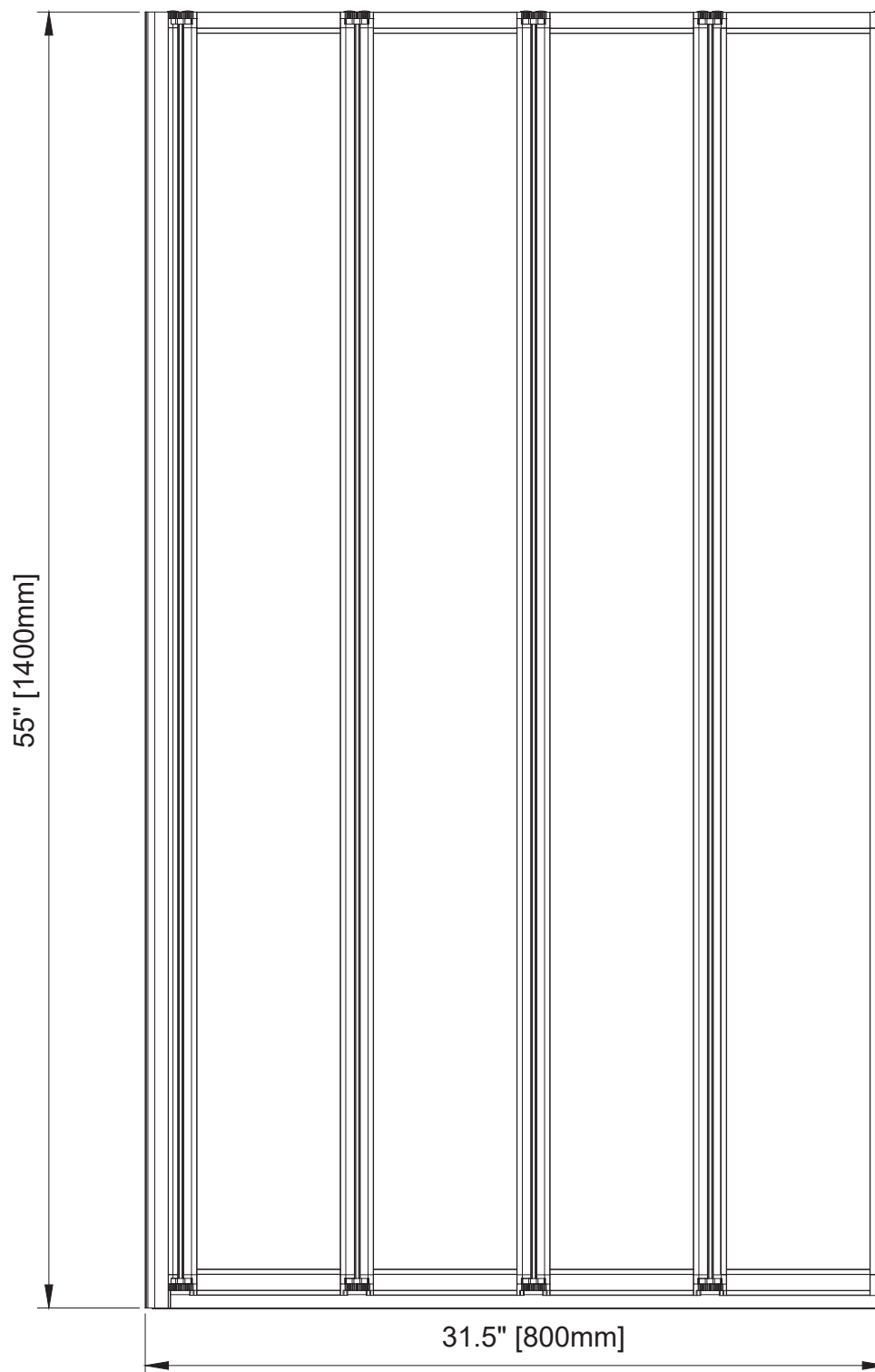
To prevent damage to glass and potential injury, make sure to follow the instructions on page 1.

## ASSEMBLY



Part	Description	Qty.	Part	Description	Qty.
[01]	Two Gear door panel	1	[11]	Screw ST3X30	16
[02]	Four Gear door panel	3	[12]	Cap	8
[03]	Vertical Profile	1	[13]	Gasket	3
[04]	Wall Post	1	[14]	Screw ST4X10	3
[05]	Side Water Sealing Strip	4	[15]	Screw Caps	3
[06]	Bottom Water Sealing Strip	1	[16]	Anchors	3
[07]	Bottom Gear	1	[17]	Screw ST4X30	3
[08]	Top Gear	1	[18]	Supporting Bracket	1
[09]	Connector	8	[19]	Cover #1(for left installation)	1
[10]	Screw Gasket	16	[20]	Cover #2(for right installation)	1

# SD-AZ16-01\*\* 31.5"X55"







# ATTENTION

- To avoid personal injury or property damage, identify components and read all instructions before installing.
- This model requires a minimum 1" (25.4mm) flat level tub deck for sealing.



# WARNING

To prevent damage to glass and potential injury, make sure to follow the instructions on page 1.

## INSTALLATION INSTRUCTIONS

### Step 1

1. Place the foam from the package onto the flat floor and carefully place **Two Gear Door Panel [01]**, **Four Gear Door Panels [02]**, **Vertical Profile [03]** and **Side Water Sealing Strips [05]** as the figure shows below. Then arrange all parts close together. (Fig 1.1)

#### Note:

- a. Make sure the end of **Side Water Sealing Strips [05]** and the surface of the **Groove** of **Two Gear Door Panel [01]** and **Four Gear Door Panels [02]** are aligned. (Fig 1.2)
- b. Make sure the **Slots** of **Two Gear Door Panel [01]** and **Four Gear Door Panels [02]** are on the same side. (Fig 1.3)
- c. Make sure all the **Gears** are aligned perfectly. (Fig 1.4)

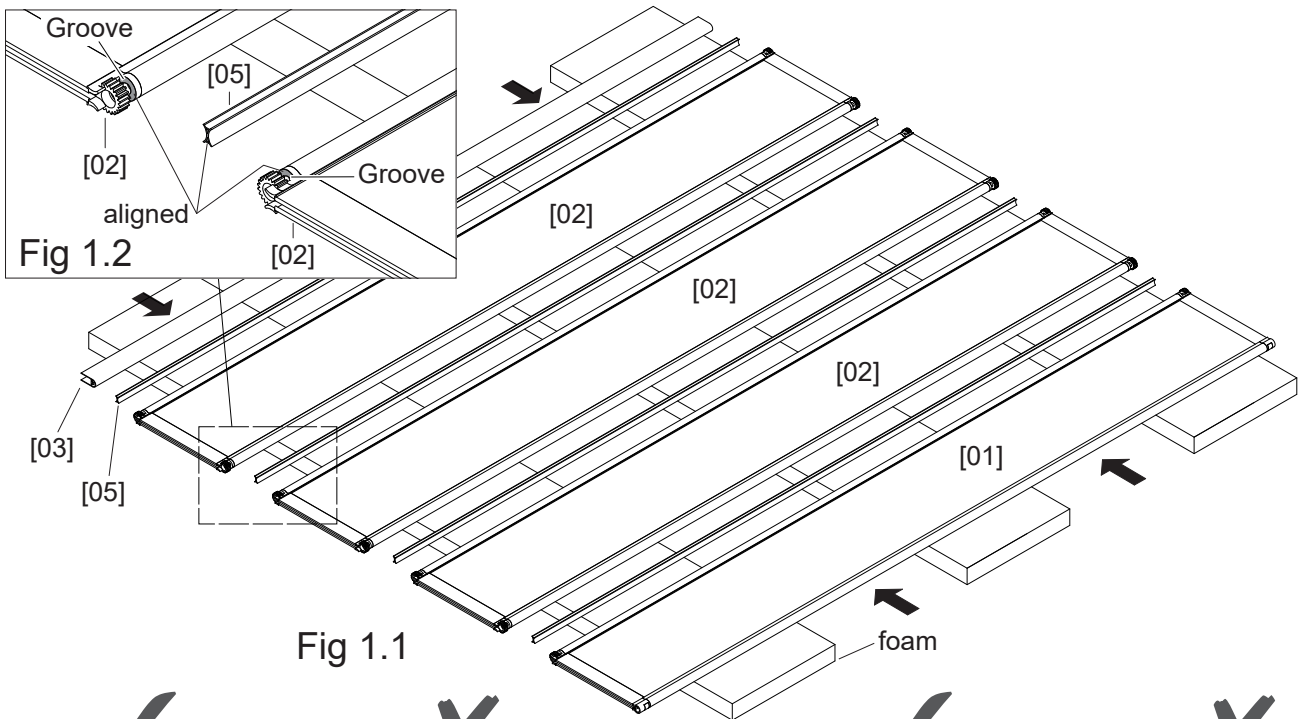
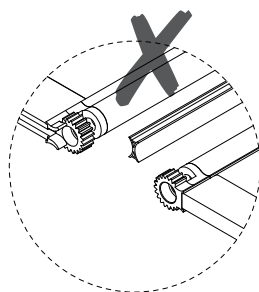
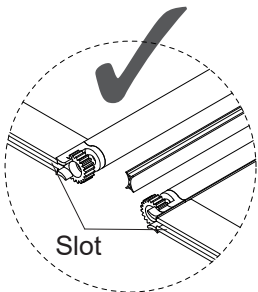
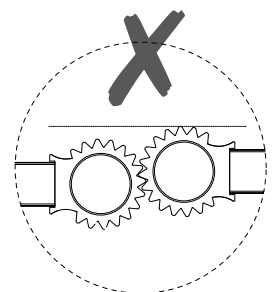
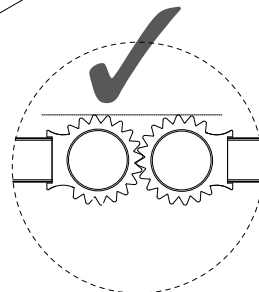


Fig 1.1



**Pay Attention to Direction**

Fig 1.3



**Pay Attention to Gear Alignment**

Fig 1.4

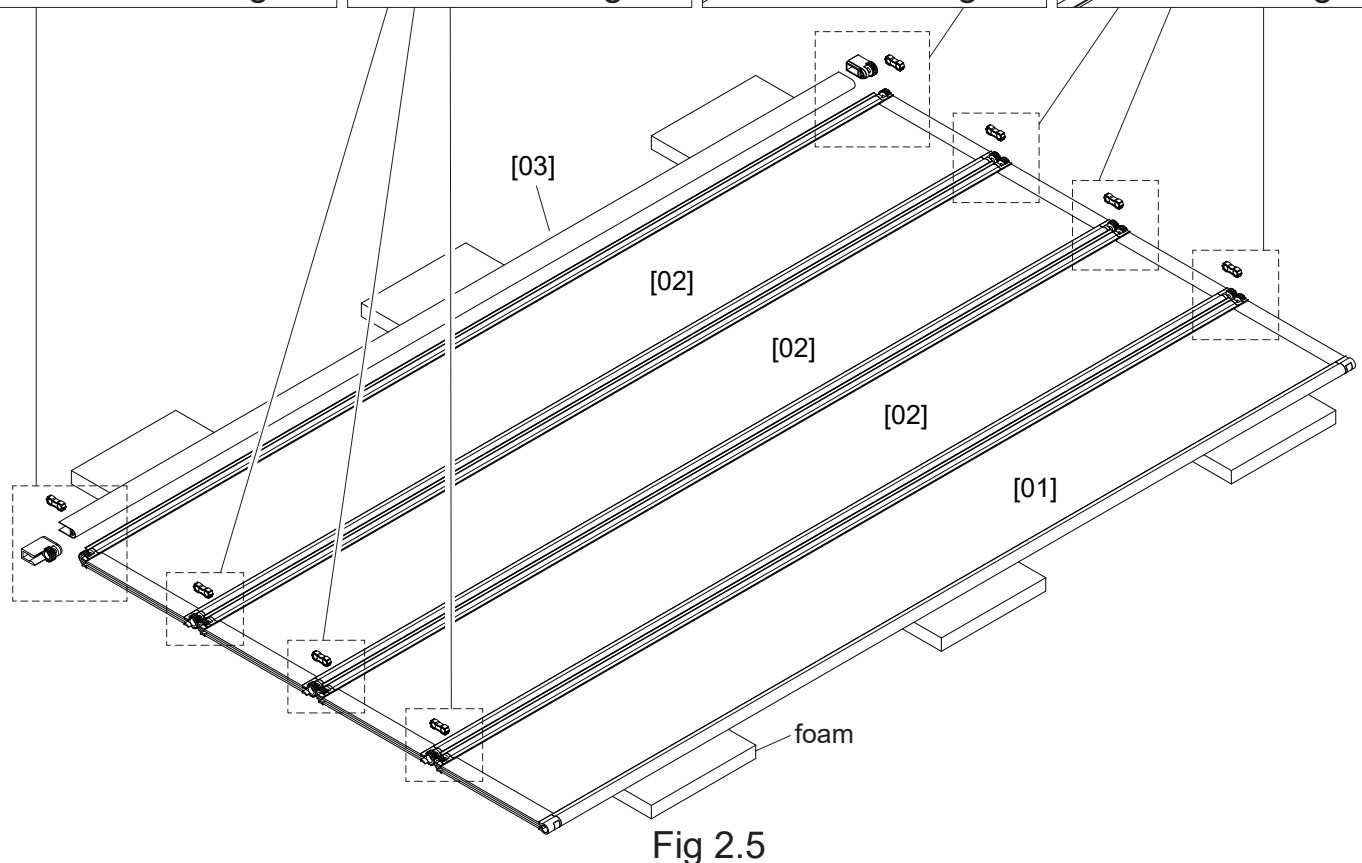
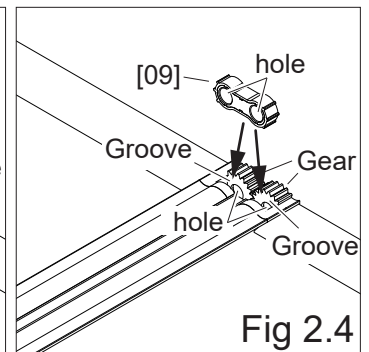
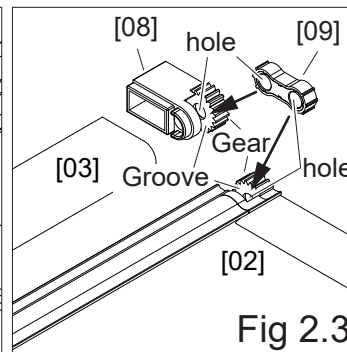
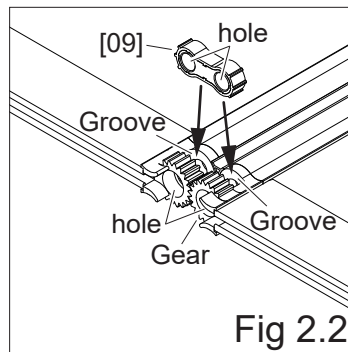
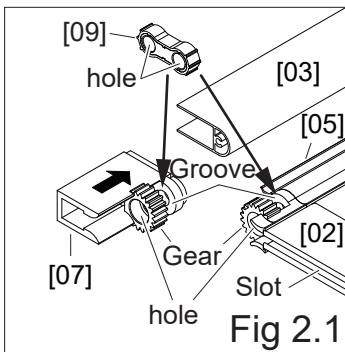


# WARNING

To prevent damage to glass and potential injury, make sure to follow the instructions on page 1.

## Step 2

1. Install **Bottom Gear [07]** to **Vertical Profile [03]**. Make sure the **Bottom Gear [07]** is on the panels' **Slot** side. Install **Top Gear [08]** to another end of **Vertical Profile [03]**. Then push **Vertical Profile [03]** assembled with **Top Gear [08]** and **Bottom Gear [07]** to the **Side Water Sealing Strips [05]**. (Fig 2.1, Fig 2.3)
2. Push one **Connector [09]** into **Groove** of lower **Gear** of **Four Gear Door Panels [02]** and the **Groove** of **Gear** of **Bottom Gear [07]**. Make sure the holes of **Connectors [09]** are aligned with the holes of the **Gears**. (Fig 2.1)
3. Repeat step 2 for the installation of **Connectors [09]** into **Grooves** of **Gears** of **Four Gear Door Panels [02]** and **Two Gear Door Panel [01]**. Make sure the holes of **Connectors [09]** are aligned with the holes of the **Gears**. (Fig 2.2, Fig 2.3)





# WARNING

To prevent damage to glass and potential injury, make sure to follow the instructions on page 1.

## Step 3

1. Install and push 16 **Screw Gaskets [10]** into the holes of **Gears**. (Fig 3)

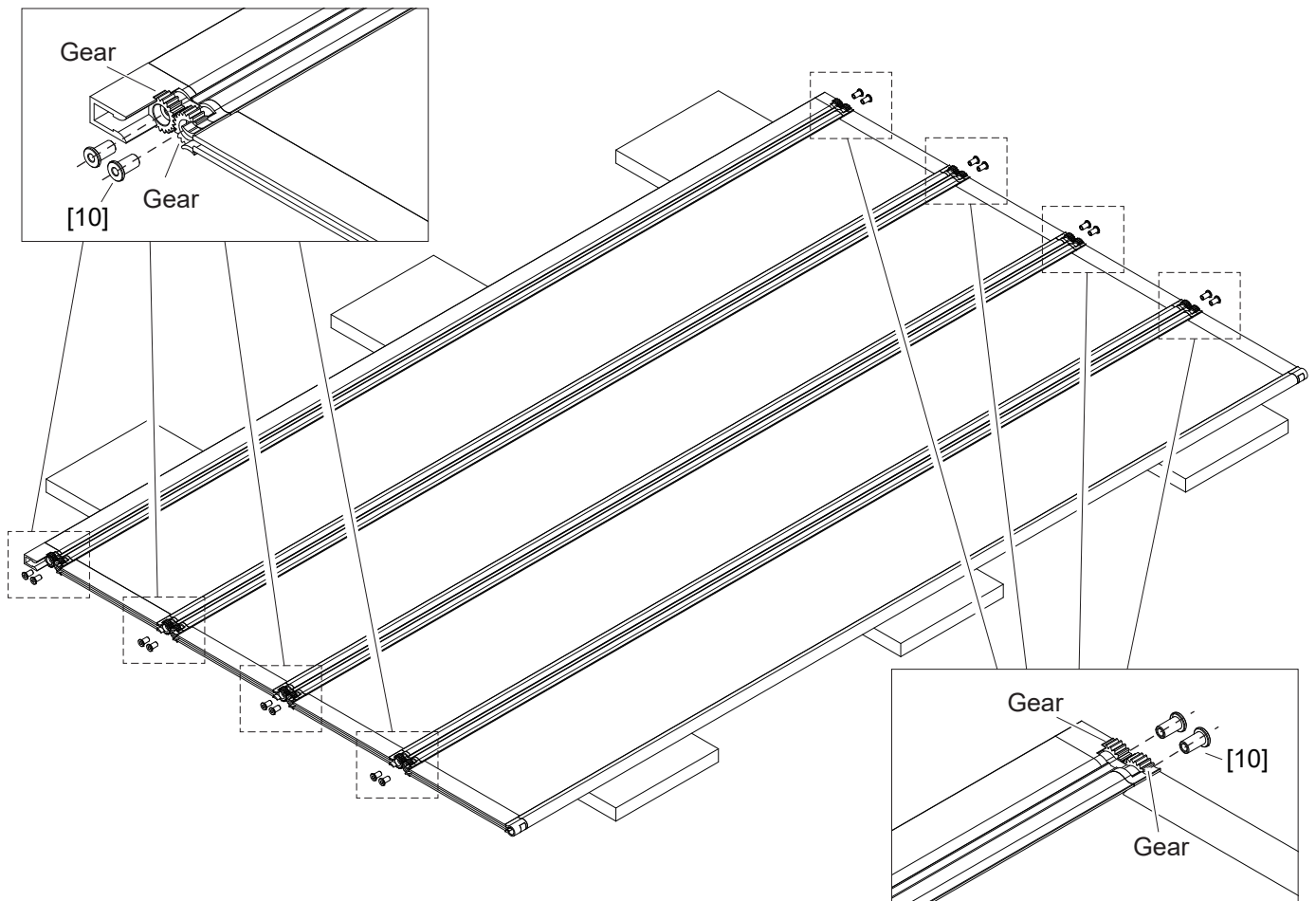


Fig 3



# WARNING

To prevent damage to glass and potential injury, make sure to follow the instructions on page 1.

## Step 4

1. Install 16 **Screws [11]** to the holes of **Screw Gaskets [10]** on both sides and secure. (Fig 4.1, Fig 4.2)

**Do not over tighten!**

2. Install 8 **Caps [12]** to the holes of **Screws [11]** on the counter side of **Slots**. (Fig 4.2)

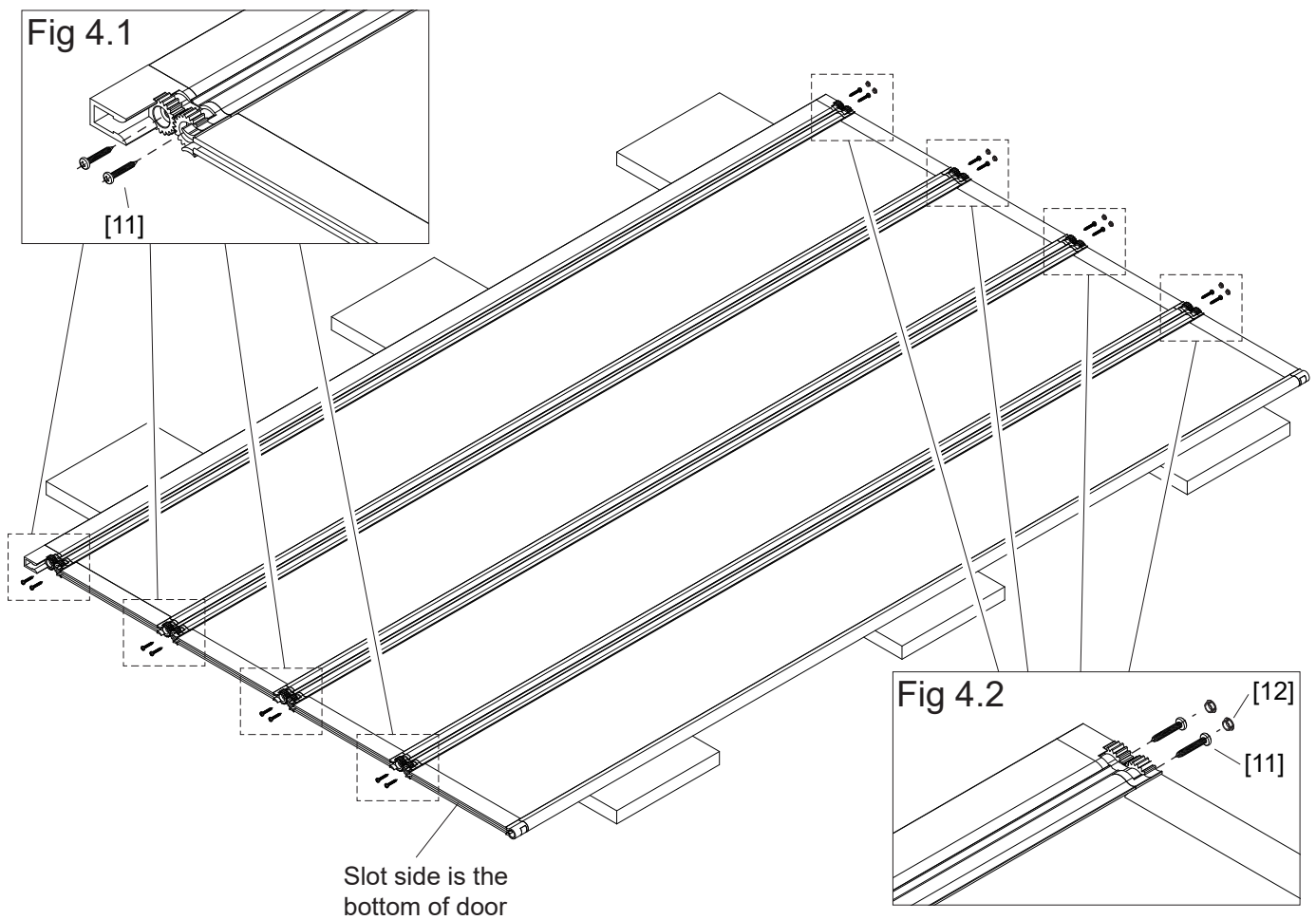


Fig 4



# WARNING

To prevent damage to glass and potential injury, make sure to follow the instructions on page 1.

## Step 5

1. Slide the **Rib** of **Bottom Water Sealing Strip [06]** to the **Slot** of panels starting from the end of **Two Gear Door Panel [01]** to **Bottom Gear [07]**. (Fig 5)

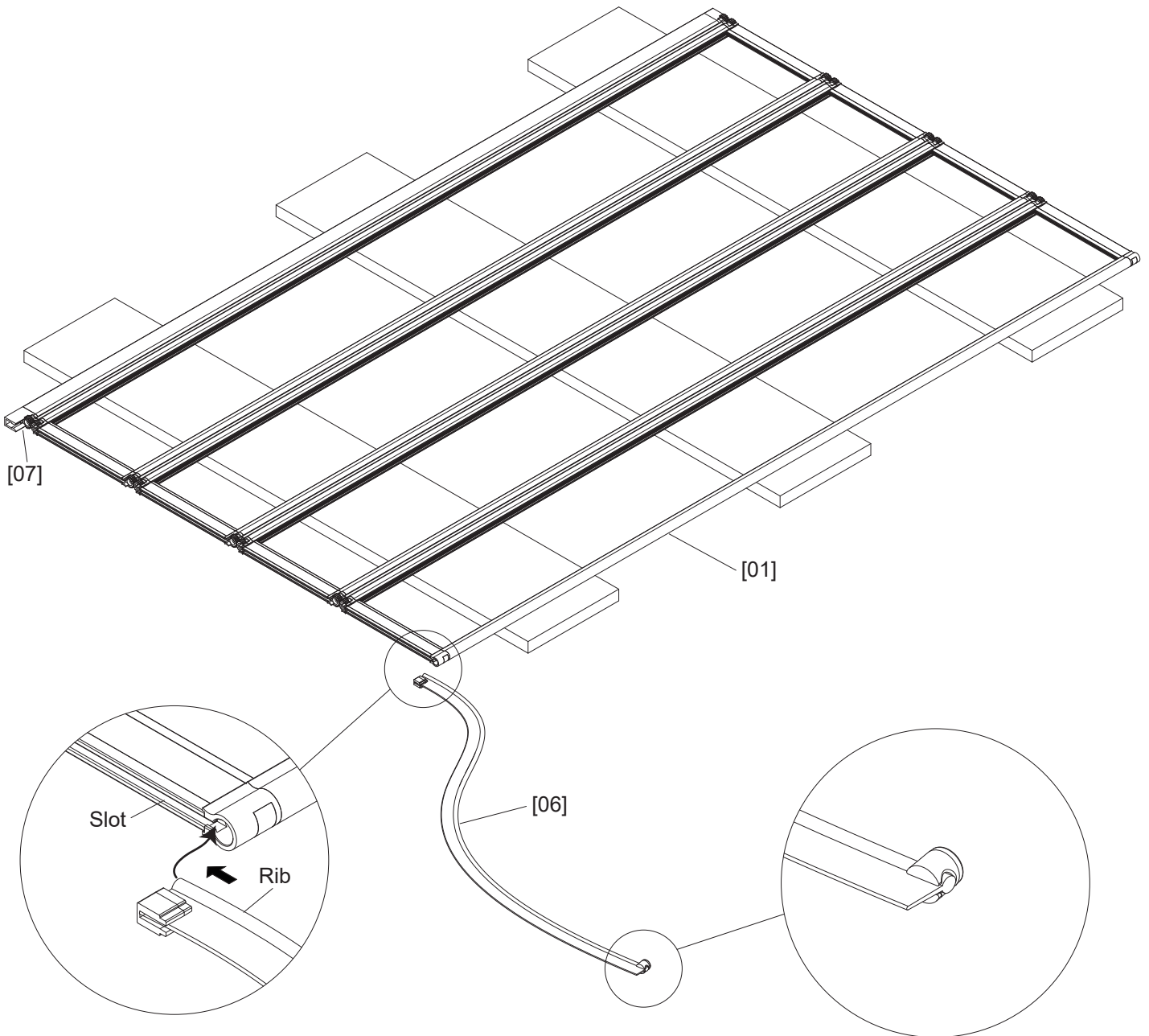


Fig 5



# WARNING

To prevent damage to glass and potential injury, make sure to follow the instructions on page 1.

## Step 6

1. Slightly pull **Tip 1** of **Bottom Water Sealing Strip [06]** and insert it to the **Groove** of **Bottom Gear [07]**.

Use a **Slot Screw Driver** to push the **Rib** which is outside the **Slot** into the **Slot**. (Fig 6.a)

2. Slightly pull **Tip 2** of **Bottom Water Sealing Strip [06]** and insert it to the **Hole** of **Two Gear Door Panel [01]**.

Use a **Slot Screw Driver** to push the **Rib** which is outside the **Slot** into the **Slot**. (Fig 6.b)

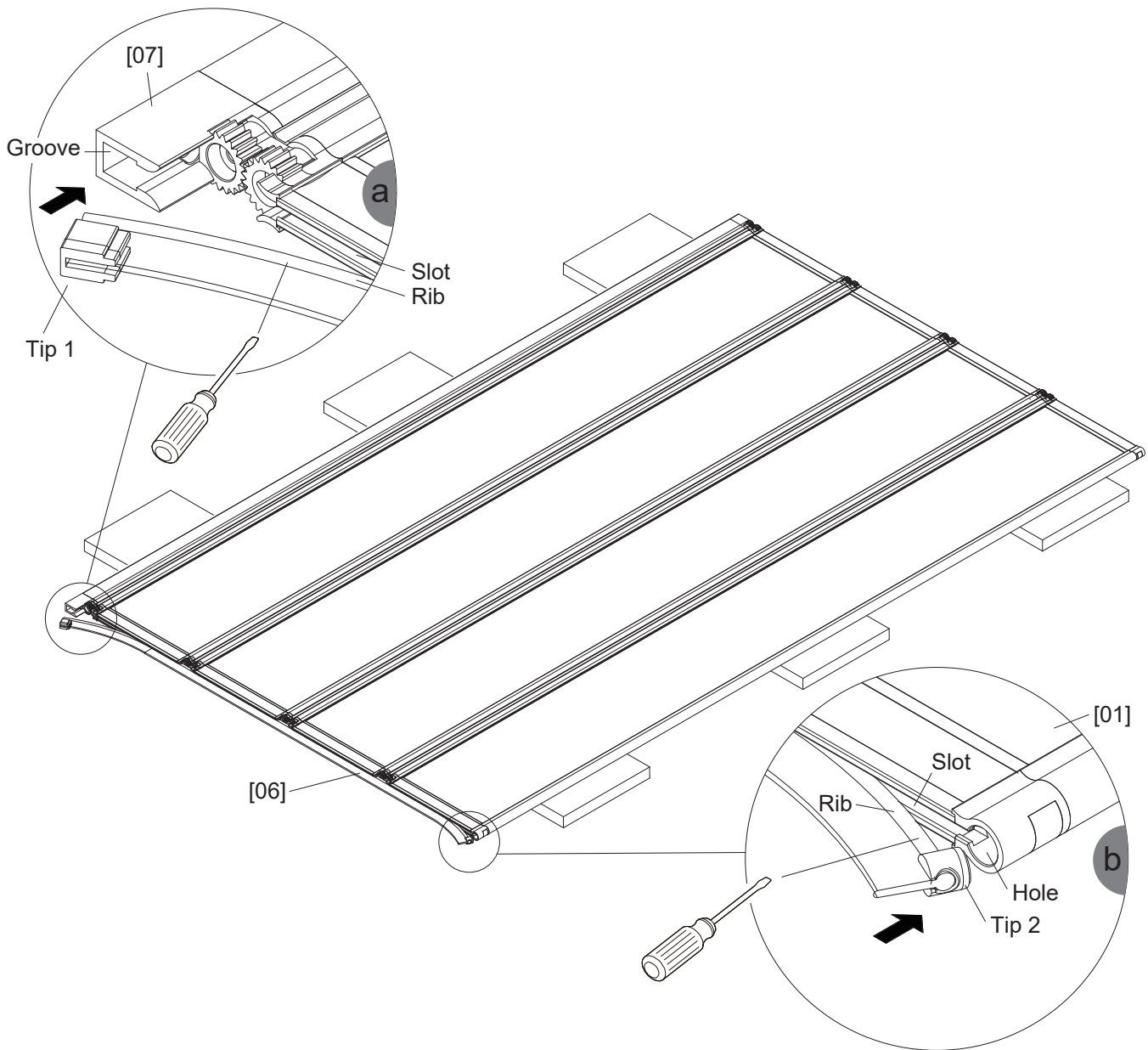


Fig 6

## Step 7

1. This shower door must be mounted to a stud. Minimum tub deck space is required.

**IMPORTANT:** Using a stud finder, ensure the wall intended to hold the door has a stud at the installation point.

If there is no stud in the shown area, we recommend employing a qualified contractor to install one. (Fig 7)

2. This manual shows left side installation. For right side installation, transpose all instructions starting from Step 7.

3. Using a level, position the **Wall Post [04]** on the tub deck close to the middle of tub desk and against the wall.

This unit requires 1" of flat tub deck space for installation. (Fig 7)

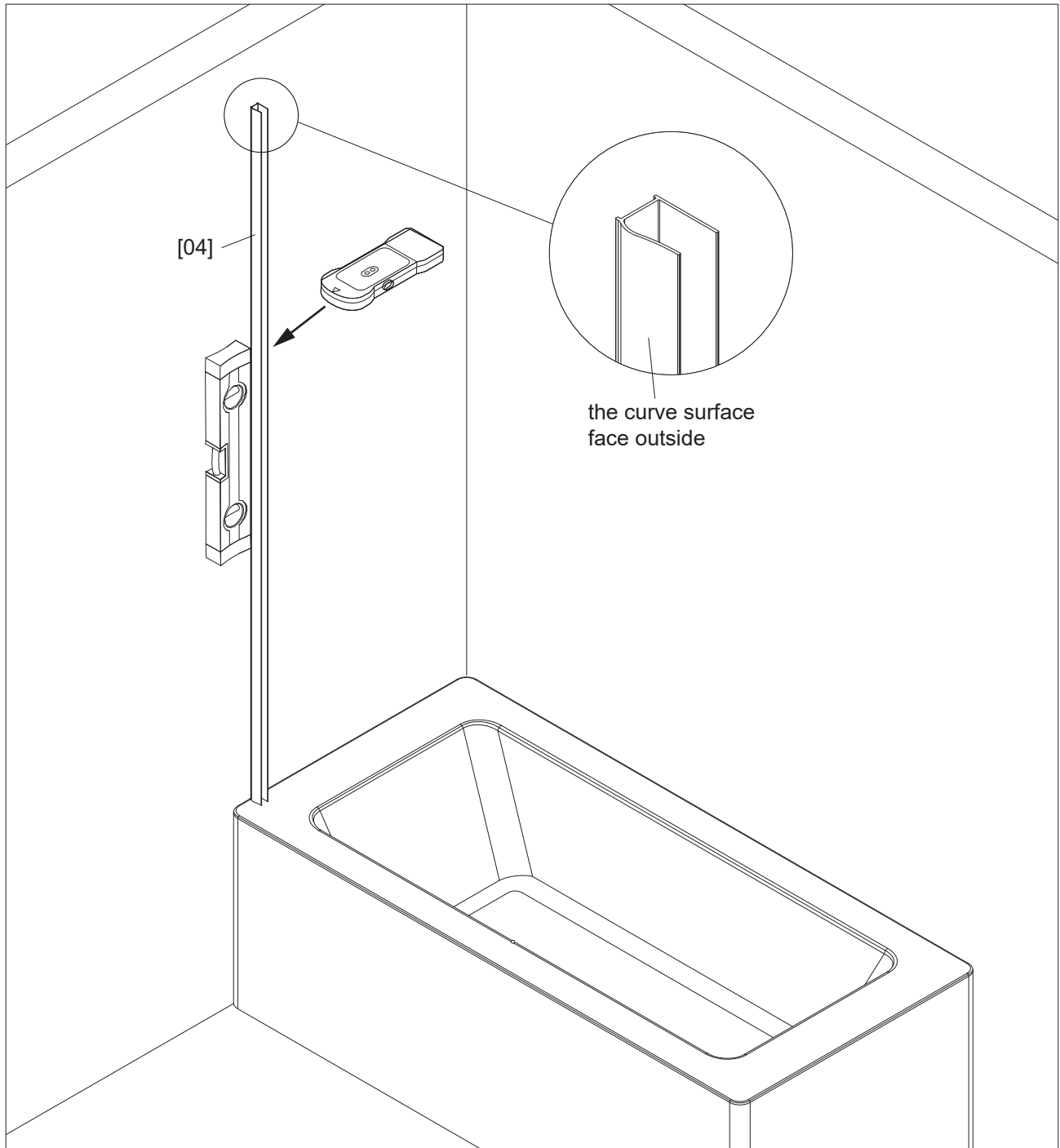


Fig 7

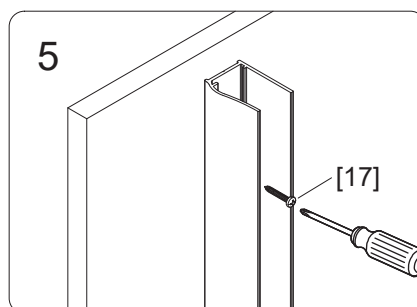
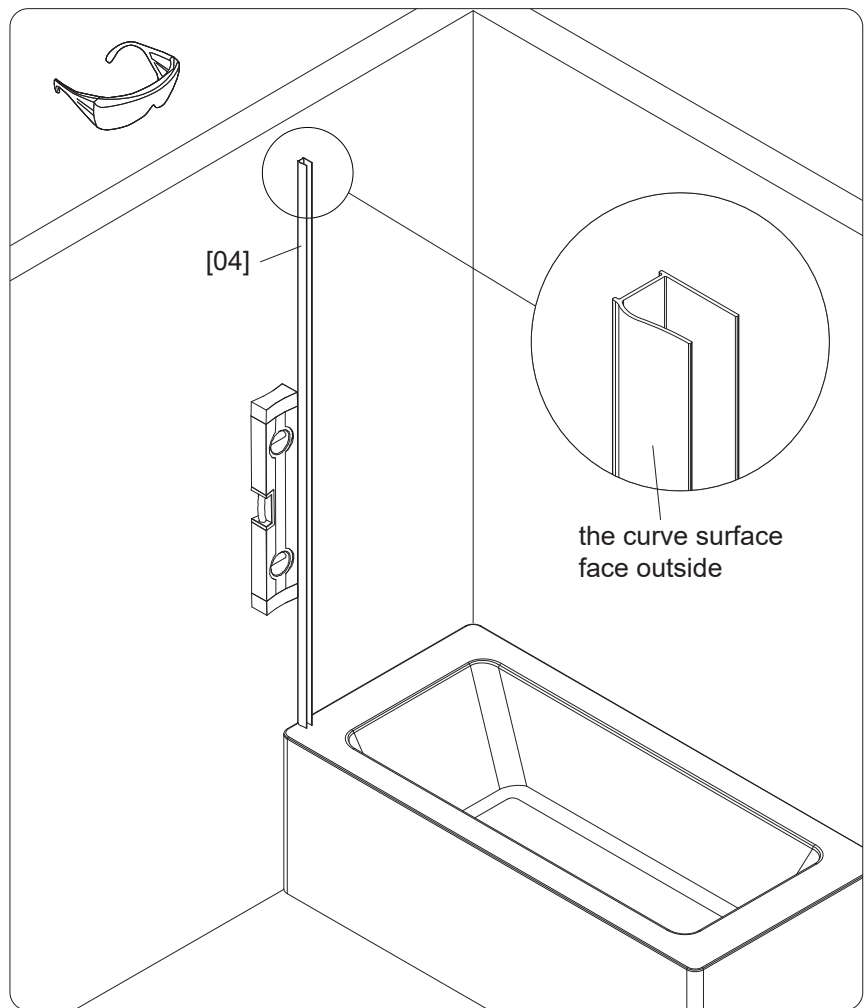
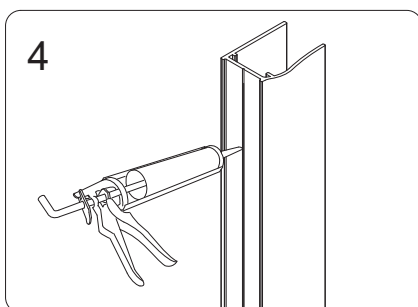
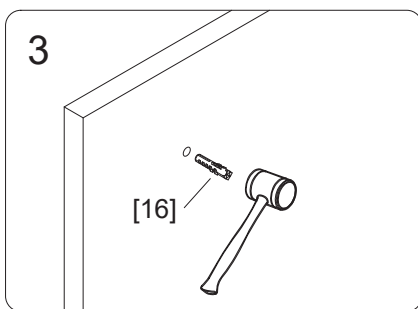
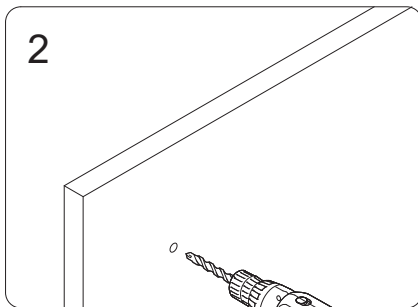
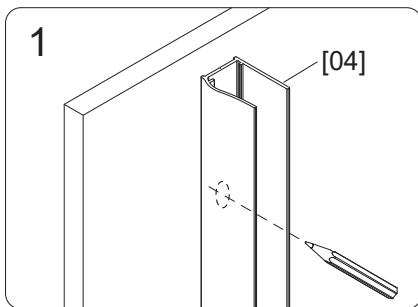
## Step 8

1. Mark the drill hole locations on the wall using the predrilled holes in the **Wall Post [04]**. (Fig 8.1)
2. Drill a  $1/4"$ [6mm] hole at each location and insert 3 **Anchors [16]**. (Fig 8.2, Fig 8.3)
3. Apply silicone sealant along the back of the **Wall Post [04]**. (Fig 8.4)
4. Secure the **Wall Post [04]** to the wall with 3 **Screws [17]**. (Fig 8.5)



## ATTENTION

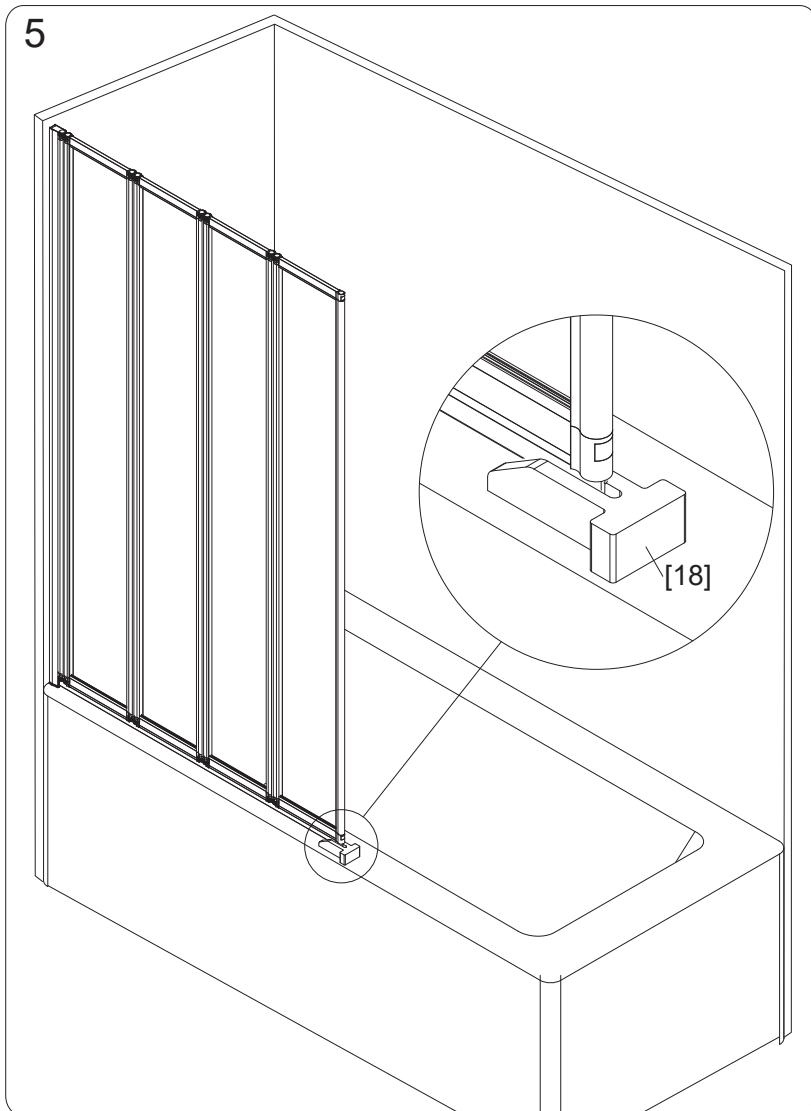
Wear safety glasses and cut-resistant, non-slip gloves when drilling or cutting to avoid risk of injury.





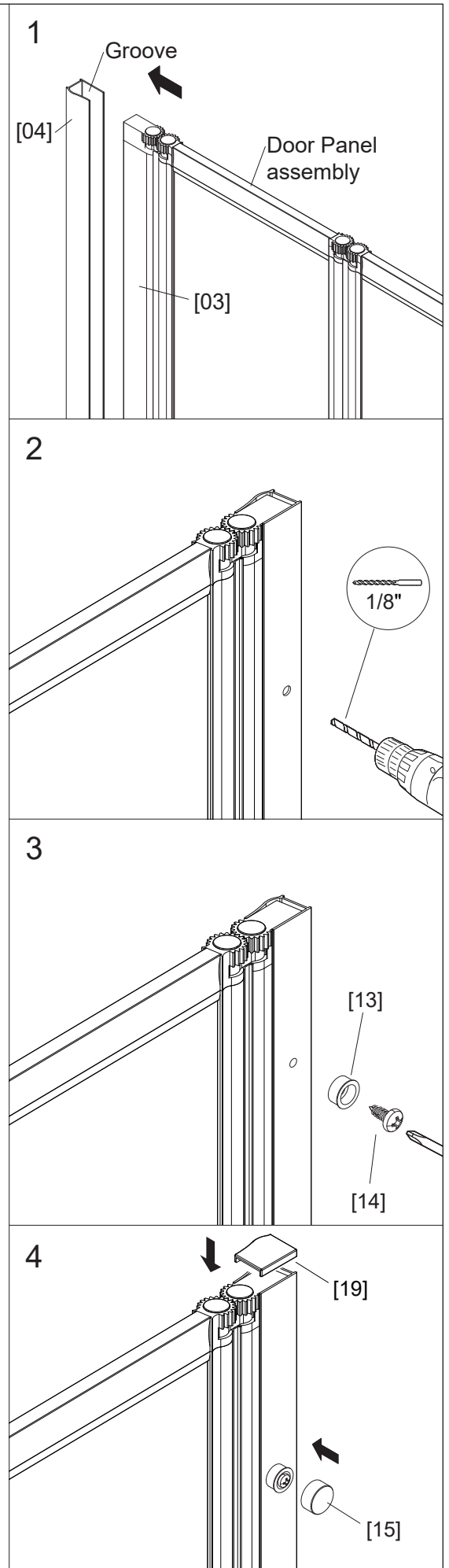
## Step 9

1. Slide the assembled **Door Panel assembly** into the **Groove** of the **Wall Post [04]**. (Fig 9.1)
2. Slide the **Supporting Bracket [18]** to the **Bottom Water Sealing Strip [06]** under the **Two Gears Door Panel [01]**. (Fig 9.5)
3. Make final adjustment (up to 0.39") if needed. Hold the **Door Panel assembly** steady and drill the holes through the three predrilled holes of the **Wall Post [04]** and into the **Vertical Profile [03]** using an  $1/8"$  drill bit. (Fig 9.2)
4. Secure the **Door Panel assembly** to the **Wall Post [04]** with **3 Gaskets [13]** and **3 Screws [14]**. (Fig 9.3)
5. Cover the screw heads with **3 Screw Caps [15]**. (Fig 9.4)
6. Install **Cover #1 [19]** to the top of **Wall Post [04]**. (Fig 9.4)  
Note: For right side installation: Install **Cover #2 [20]** to the top of **Wall Post [04]**.
7. Remove the **Supporting Bracket [18]**. This piece is no longer needed.



15

Fig 9



## Step 10

1. Apply a good quality Silicone Sealant at the outer corner formed by the wall and the **WallPost [04]**. (Fig 10)



**Allow 24 hours for the silicone to fully cure before using the shower.**

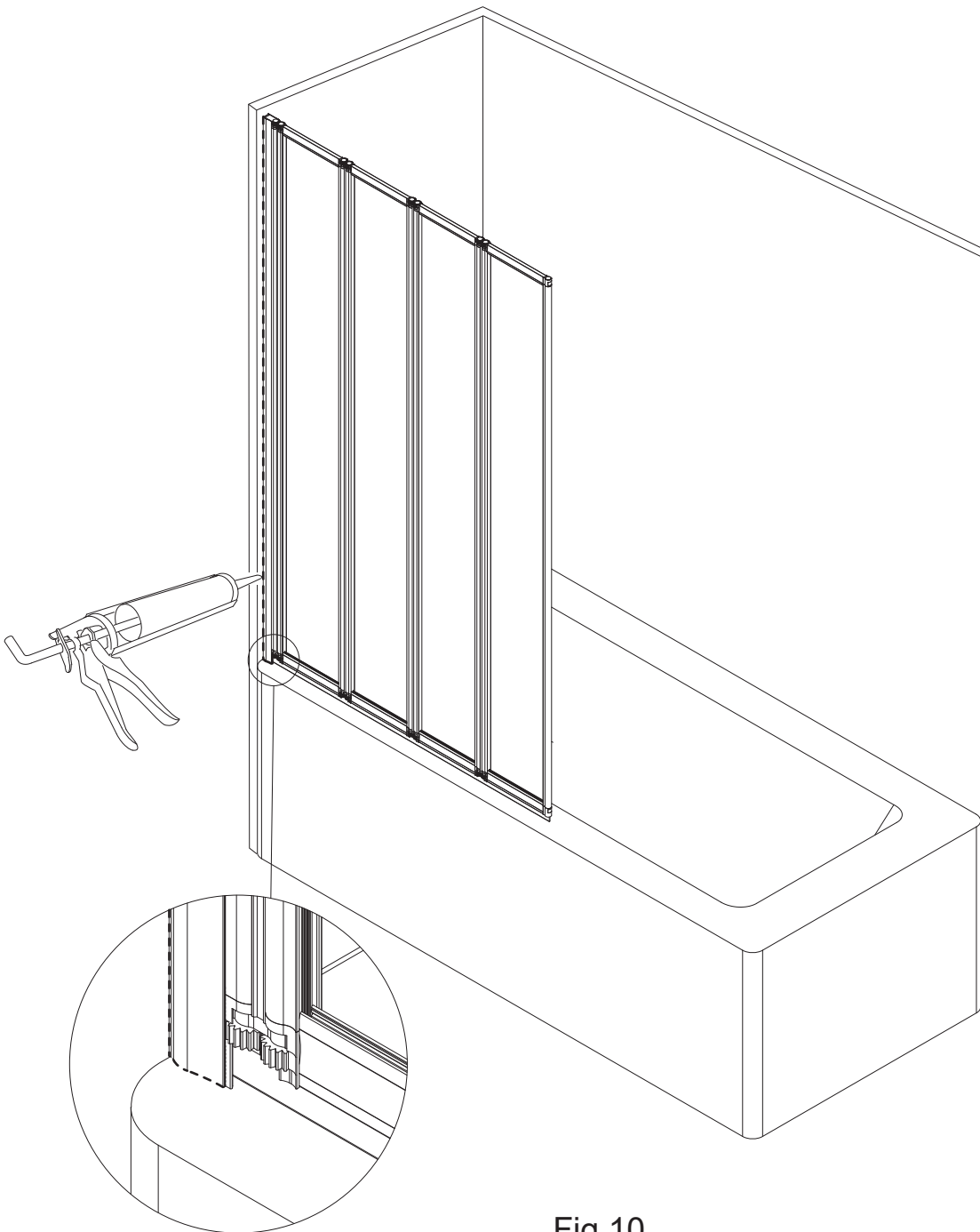
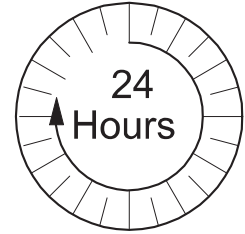


Fig 10

## Care & Maintenance

**TUBS and BACK WALLS:** Wipe them off after each use with a soft cloth. To clean the acrylic surface, use non-abrasive sprays or cream based cleaners. Avoid the use of aerosol spray cleaners. Never use abrasive cleansers, metal brushes, or scrapers, as they can scratch or dull the surface.

**GLASS:** Wipe off the glass after each use with either a soft cloth or a squeegee to prevent soap buildup and water spots (hard water can etch the surface of the glass over time if left to dry). To avoid damaging the surface, never use abrasive cleaners or cleaning products that contain scouring agents. Likewise, never use bristle brushes or abrasive sponges that can scratch the surface.

**HARDWARE:** To ensure a long-lasting finish, wipe off the metal parts after using with a soft cloth. Do not use abrasive cleaners or cleaning products containing ammonia, bleach, or acid. If accidentally used, rinse the surface as soon as possible to prevent damage to the finish (peeling or corrosion). After cleaning the polished finishes, rinse thoroughly and wipe dry with a soft cloth. Clean stainless steel surfaces at least once a week. When applying stainless steel cleaner or polish to stainless steel hardware, work with (not across) the grain. Never use an abrasive sponge or cloth, steel wool, or wire brush, which may permanently scratch the surfaces.

**NOTE: Regularly inspect the glass and all hardware for misalignment, proper attachment, and damage. Contact ANZZI with any questions or concerns.**

