

ANZZI®

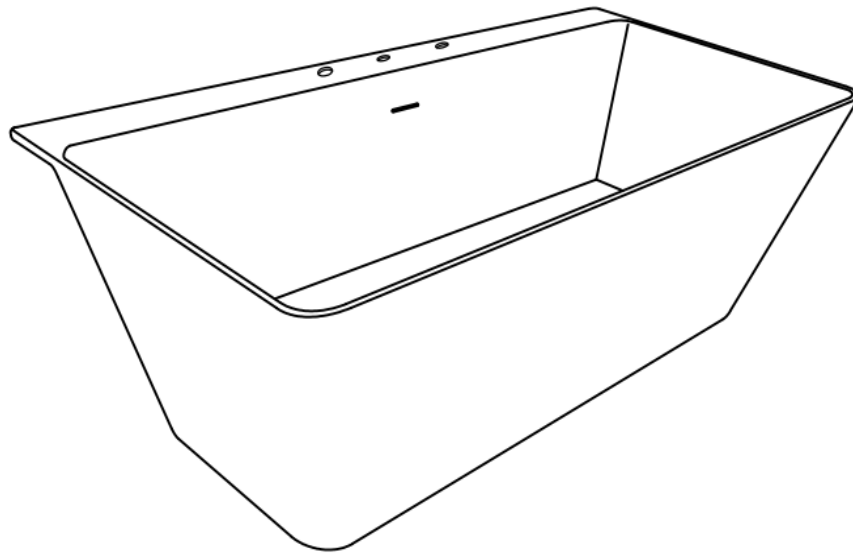
ITEM: FT-AZ114-59

Freestanding Bathtub

INSTALLATION & OPERATION MANUAL

V1.0

11/01/2022



**DON'T WAIT!
REGISTER NOW!**

Register your product within 30 days to ensure your bathtub is recognized as an official purchase and is eligible for warranty coverage.

Mail in the completed registry card (Pg. 2) or register online at www.ANZZI.com/register.



PRODUCT REGISTRATION*

IMPORTANT: YOUR WARRANTY WILL NOT BE RECOGNIZED UNLESS THIS CARD IS FULLY COMPLETED AND RETURNED OR ONLINE REGISTRATION IS COMPLETED.

To ensure that your warranty is registered and confirmed please do one of the following:

1. **Register online at www.ANZZI.com/register.** You will be asked to fill out the same information you would in the registration card. Registering online is fast, secure and ensures we receive your information.

2. **Complete, cut out and mail the registration card below.** By returning this registration card we confirm the date of purchase for your new product. This confirmation will allow us to process any warranty claims.

Mail the card to: 5701 NW 35 Avenue, Miami, FL 33142



Product Registration Card

Name Address

City State..... Zip.....

Phone Email

Date of Purchase..... **Order or Purchase #**..... **SKU or Model #**.....

Installer's Name Phone

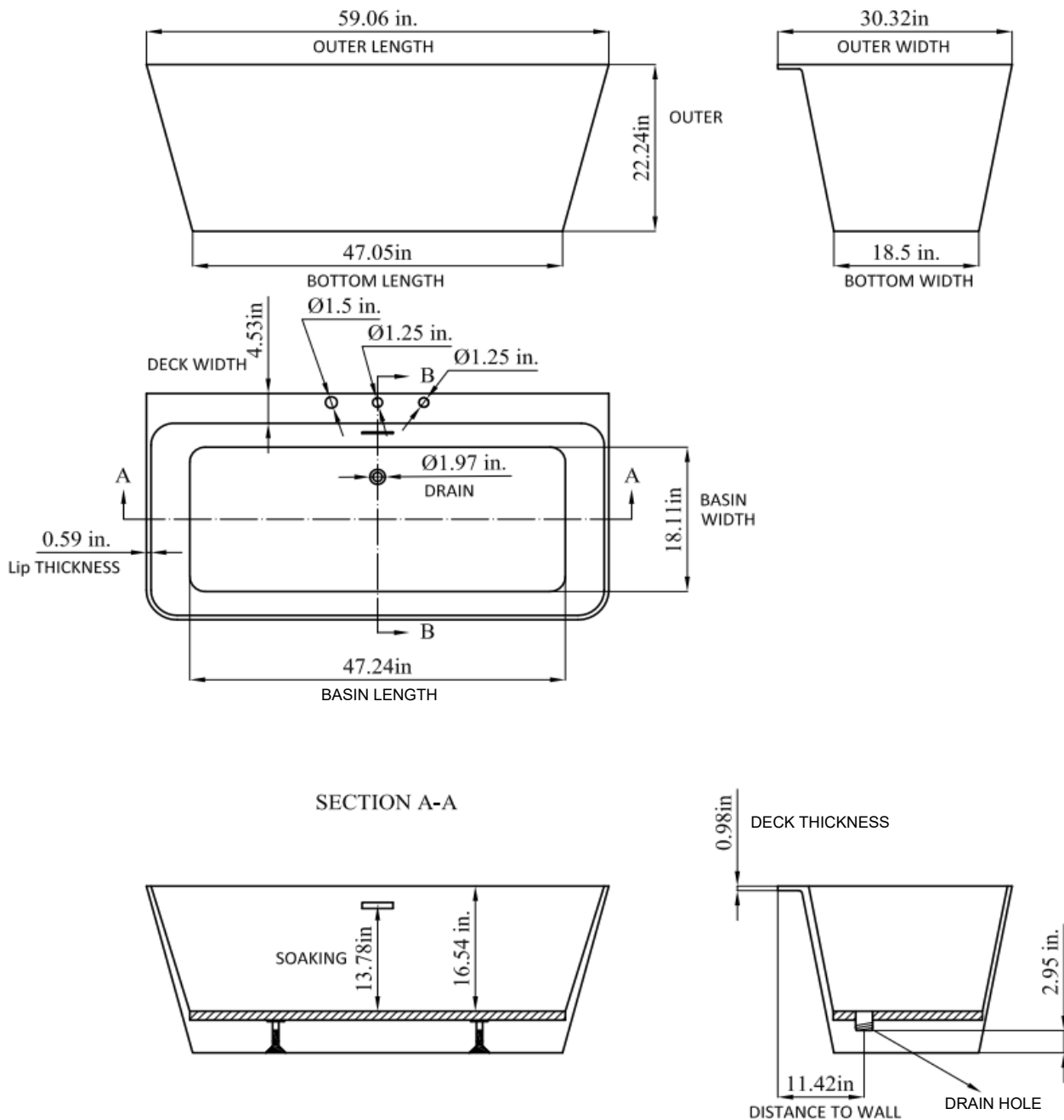
I have read the Owner's Manual carefully and understand and agree that any installation, operation or maintenance of the bathtub must be done strictly in accordance with instructions and guidelines contained in the owner's manual and installation guide.

Signature _____ **Date** _____

ANZZI®



FREESTANDING BATHTUB





SAVE THIS MANUAL!

READ THESE INSTRUCTIONS COMPLETELY BEFORE INSTALLING THE PRODUCT. FAILURE TO DO SO COULD RESULT IN AN IMPROPER INSTALLATION AND COULD VOID THE WARRANTY.

RESPONSIBILITY OF THE INSTALLER!

THE INSTALLER MUST INSPECT AND WATER TEST THE PRODUCT PRIOR TO INSTALLATION TO ENSURE THE UNIT IS FREE OF DEFECT OR DAMAGE. IN THE EVENT OF A PROBLEM, THE UNIT MUST NOT BE INSTALLED. IF THE CRATE OR THE PRODUCT HAS BEEN DAMAGED DURING SHIPPING, PLEASE CALL US IMMEDIATELY.

THIS PRODUCT MUST BE INSTALLED BY A LICENSED/CERTIFIED CONTRACTOR!

LICENSED PLUMBERS AND ELECTRICIANS SHOULD BE EMPLOYED TO INSURE PROPER INSTALLATION. INSTALLERS ASSUME ALL LIABILITY FOR THE CORRECT INSTALLATION PROCEDURES. ONLY ACCESSORIES AUTHORIZED BY THE MANUFACTURER SHOULD BE USED WITH THIS PRODUCT.

REPORT DAMAGE RIGHT AWAY! REPORT ANY DAMAGE TO THE BATHTUB WITHIN 5 BUSINESS DAYS. ANY DAMAGE REPORTED AFTER 5 BUSINESS DAYS WILL BE ASSUMED TO HAVE HAPPENED DURING OR AFTER THE INSTALLATION.

TEST THE TUB BEFORE INSTALLATION! BEFORE PERMANENTLY INSTALLING THE BATHTUB, YOUR INSTALLER MUST TEST THE TUB. USING THE PROVIDED FLEX DRAIN, PLUG IN THE TUB AND POWER IT ON. FILL TUB AND INSPECT FOR ANY LEAKING. YOU SHOULD ONLY PROCEED TO PERMANENTLY INSTALL THE UNIT IF THERE ARE NO SIGNS OF MALFUNCTION OR LEAKAGE.

LEVEL THE TUB TO AVOID LEAKAGE! CHECK THE AREA PRIOR TO INSTALLATION. USE THE TUB'S LEVELING FEET TO ENSURE THE BATHTUB IS PERFECTLY LEVEL. IT IS ESSENTIAL THAT ALL THE FEET ARE TOUCHING THE FLOOR/SURFACE. AN UNLEVELED TUB WILL RESULT IN LEAKAGE.

SAFETY INSTRUCTIONS

READ THESE INSTRUCTIONS COMPLETELY BEFORE INSTALLING THE PRODUCT. FAILURE TO DO SO COULD RESULT IN AN IMPROPER INSTALLATION AND COULD VOID THE WARRANTY.

IMPORTANT SAFETY INSTRUCTIONS. INSTRUCTIONS IMPORTANTES RELATIVES A LA SECURITE.

READ AND FOLLOW ALL INSTRUCTIONS. LIRE ET SUIVRE TOUTES LES INSTRUCTIONS.

SAVE THESE INSTRUCTIONS. CONSERVER CES INSTRUCTIONS.



IMPORTANT

- A) A freestanding bathtub is not designed to support weight on its rim. Therefore, do not sit or stand on the bathtub's rim.
- B) Please retain this manual after installation for future reference and maintenance.
- C) Installation of tub is a two-person job.

DELIVERY OF YOUR TUB

Unpack and check for damage.

Unpack the bathtub and inspect for damage or missing parts right away. Do not wait to do this. Damage reported after installation will not be covered by warranty. Repack the tub and keep it safely stored until installation begins.

Protect your tub.

Before commencing installation, ensure the tub is wholly protected and leave the covering in place until the bathroom is complete. The warranty does not cover scratches and damage incurred during installation.






TESTING THE TUB

1. Place the tub on a completely flat surface where the water may drain it after testing.
2. Close the drain and fill the tub about halfway.
3. Allow the water to stand for 30 minutes. Then inspect the drain and plumbing for any leaks.

TEST THE BATHTUB WHILE YOU HAVE ACCESS TO THE BOTTOM AND BEFORE PERMANENT INSTALLATION.

ANZZI®

SPARE PARTS LIST

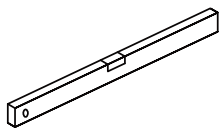
No.	Part Name		Qty (pcs)	Picture
A	Vanity covers		1 set of 2pcs	
B	Hardware Pack of Vanity Covers	Washer	4	
C		Plastic Wall Plug	4	
D		Screws	4	
E	Flexible Drain		1	

VANITY COVERS - (this set is completely optional, see page 9)

Vanity covers have been provided to conceal the faucet's hoses for a more finished look. This step is entirely optional and not required for the operation of the unit and its faucet.

Note: Make sure to leave ample space between each cover to prevent obstructing, kinking or damaging the faucet's hoses.

TOOLS REQUIRED



LEVELER RULER



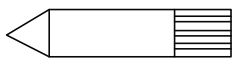
ADJUSTABLE WRENCH



TEFLON TAPE



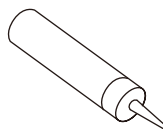
FLEXIBLE DRAIN
included



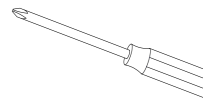
MARKING PENCIL



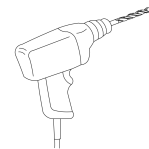
CAULK GUN



CAULK



SCREW DRIVER



ELECTRIC DRILL

NOTE: THE INCLUDED FLEXIBLE DRAIN IS TO BE USED ONLY TO TEST THE BATHTUB BEFORE PERMANENT INSTALLATION. IT IS THE RESPONSIBILITY OF THE INSTALLER TO PROVIDE THE PERMANENT DRAIN ASSEMBLY.



INSTALL THE BATHTUB

Step 1

Move the tub to the selected installation location, (Make sure that the floor surface can support the load capacity), and place it in the proper (or desired) position.

Step 2

Loosen the nuts on the tub's leveling feet and adjust the feet until the tub base is 3mm above the floor, but do not tighten the nuts. The skirt cannot take the weight. See figure 1

Step 3

Use a level to ensure the tub surface is level. After adjusting the leveling feet to a suitable position, tighten the securing nuts. See figure 2

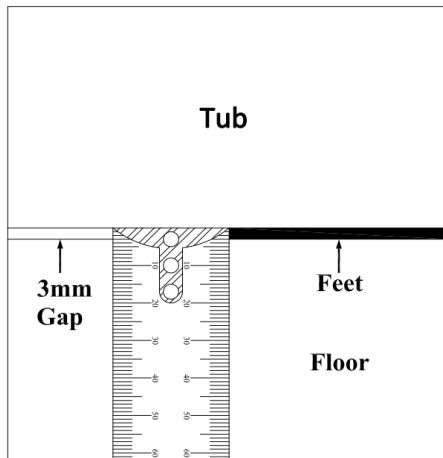


Figure 1

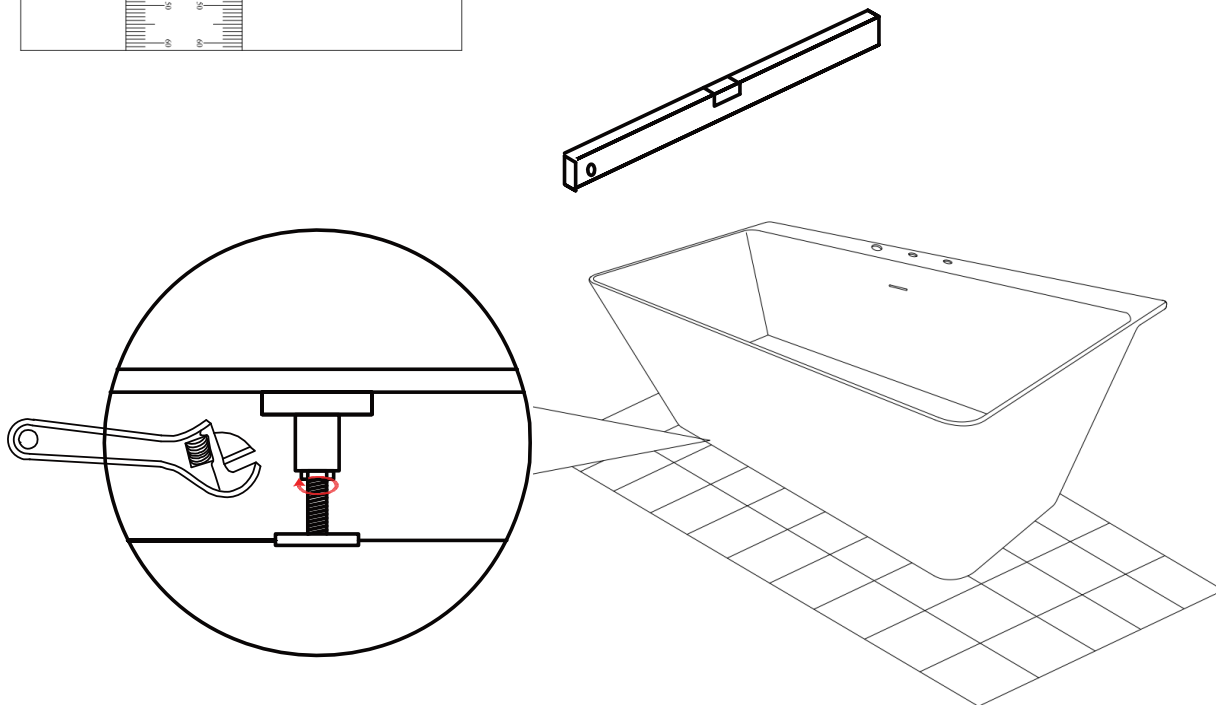
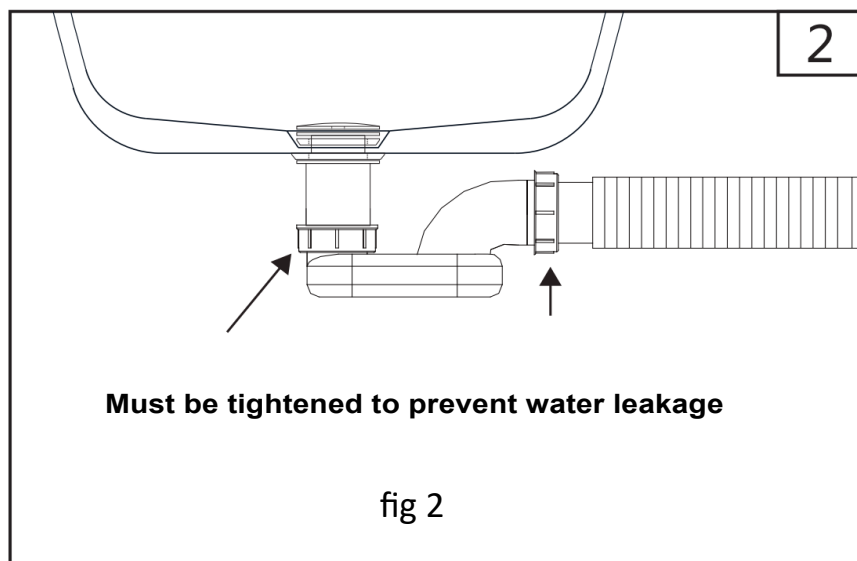
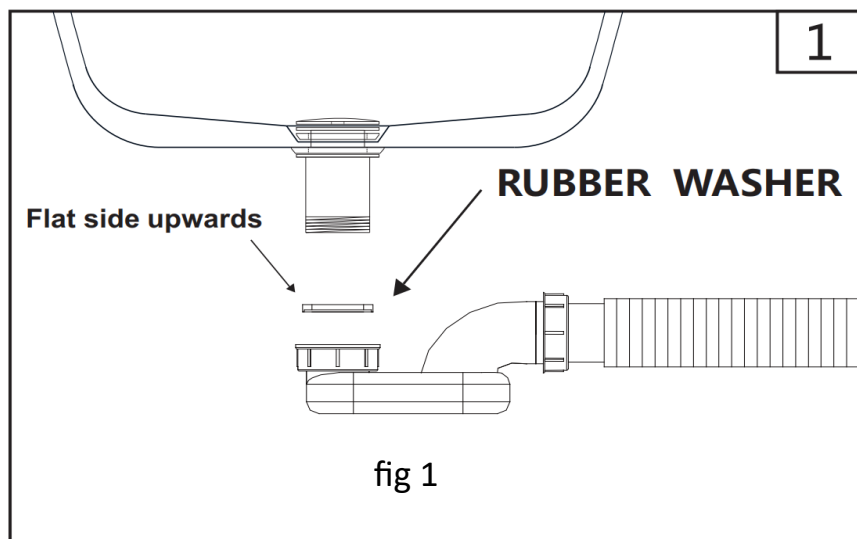


Figure 2

INSTALL THE FLEXIBLE DRAIN

- a. Install the FLEXIBLE DRAIN to the drain hole under the bathtub. Make sure there is a RUBBER WASHER between the drain hole and the FLEXIBLE DRAIN. The flat surface of the RUBBER WASHER should face upward towards the drain hole. (fig 1)
- b. Adjust the FLEXIBLE DRAIN so that it points to the location of the drain pipe in the floor. Tighten the Nuts to secure the FLEXIBLE DRAIN. **DO NOT OVER TIGHTEN.** (fig 2)
- c. Block the outlet of the FLEXIBLE DRAIN and water test the connections by filling the tub with water to the overflow opening. Check for water leakage at areas indicated by arrows. (fig 2)



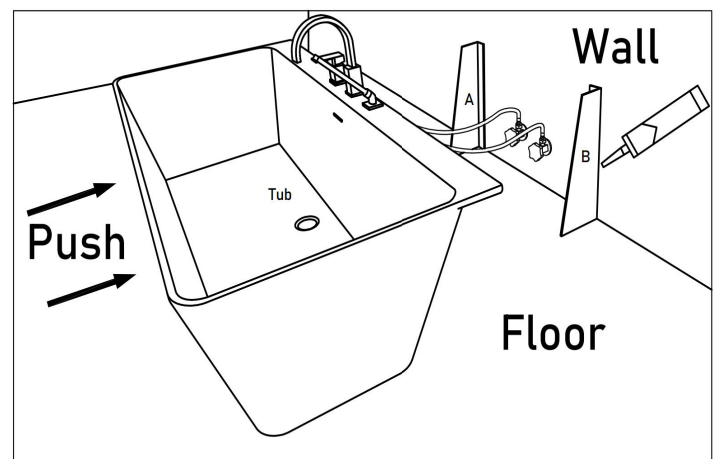
ANZZI®

ASSEMBLE THE FAUCET

Following the deck mounted faucet installation instructions, install the faucet to the tub. Then check for leaks, making sure there are no leaks at any of the connections. Caulk around the faucet after it is fully installed.

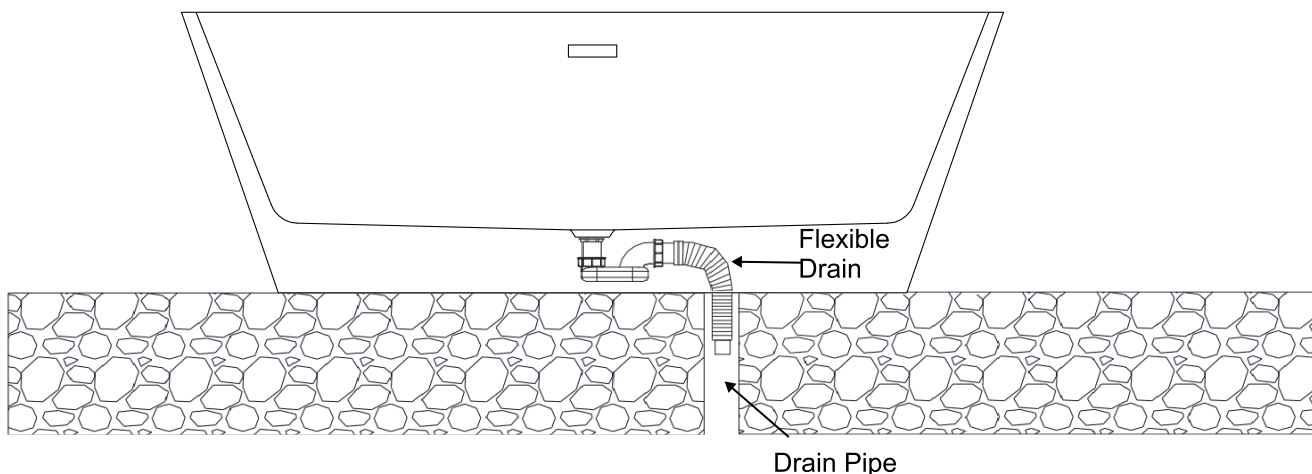
INSTALL VANITY COVERS-(this step is optional)

1. Determine the distance between vanity covers A and B according to faucet pipework position.
2. Attach the vanity covers A and B using silicone caulk (make sure the caulk is fully cured before tub is used) or mount the covers to the wall with the supplied screws.
3. Push the tub to the desired position, making sure the faucet pipes are hidden inside the vanity covers.



POSITION THE TUB

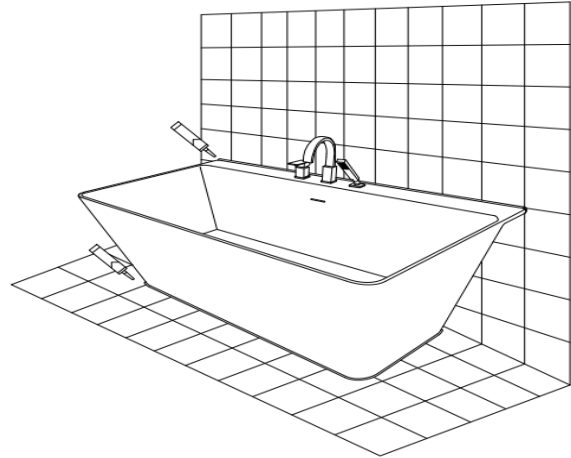
Before positioning the tub, make sure the ground is completely flat. Next, place the tub over the intended installation area. Lastly, insert the drain through the drain hole in the floor. See the Figure below.



ANZZI®

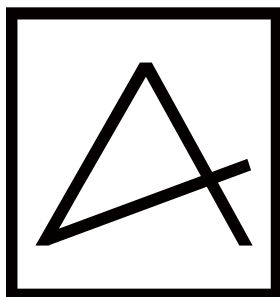
SEAL TUB

ADD A LINE OF SILICONE CAULK AROUND THE BASE OF THE BATHTUB AND ALLOW 24 HOURS TO PASS BEFORE USE TO ENSURE THE CAULK HAS SET.



CLEANING AND MAINTENANCE

1. To preserve the polished surface, after using your tub, clean with soft cloth and warm soapy water to wash away any body oils or soap residue that forms a ring mark.
2. Do not use powders, pastes, cream cleaners, thinners, window cleaning sprays or dry cleaning liquid, etc., to clean the tub.
3. To clean the overflow plate and pop up drain, we do NOT recommend you use any household cleaners. Strong chemical cleaners can damage the finish and affect the function of this product. The product should only be cleaned with soapy water and rinsed with clean water and dried with a soft cloth.
4. When colored essentials oils are used, first test that the color won't stain your tub. Always add oils into a tub full of water. Never pour them directly into an empty tub.



ANZZI®