

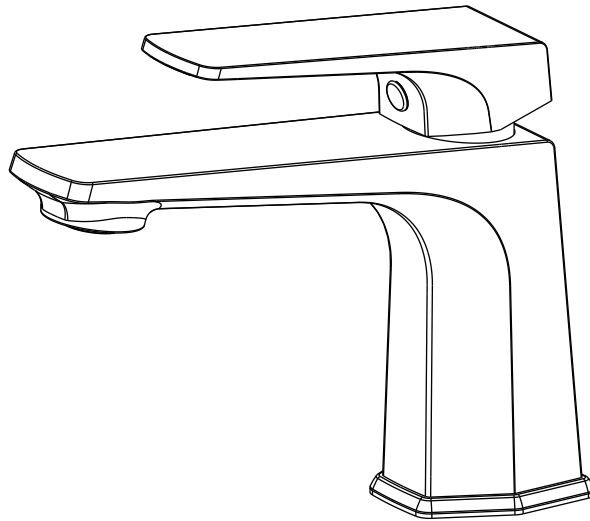


ANZZI®

ITEM: L-AZ 903\*\*

2 TONE LAVATORY FAUCET  
INSTALLATION & OPERATION MANUAL

V1.0  
10/30/2022



# DON'T WAIT! REGISTER NOW!

Register your product within 90 days to ensure your product is recognized as an official purchase and is eligible for warranty coverage.

Mail in the completed registry card (Pg. 2) or register online at [www.swcorp.com/register](http://www.swcorp.com/register).



## PRODUCT REGISTRATION\*

**IMPORTANT: YOUR WARRANTY WILL NOT BE RECOGNIZED UNLESS THIS CARD IS FULLY COMPLETED AND RETURNED OR ONLINE REGISTRATION IS COMPLETED.**

To ensure that your warranty is registered and confirmed please do one of the following:

1. **Register online at [www.swcorp.com/register](http://www.swcorp.com/register).** You will be asked to fill out the same information you would in the registration card. Registering online is fast, secure and ensures we receive your information.
2. **Complete, cut out and mail the registration card below.** By returning this registration card we confirm the date of purchase for your new product. This confirmation will allow us to process any warranty claims.

**Mail the card to: 5701 NW 35 Avenue, Miami, FL 33142**



### Product Registration Card

Name..... Address .....

City..... State..... Zip.....

Phone ..... Email.....

Date of Purchase ..... Order or Purchase # ..... SKU or Model # .....

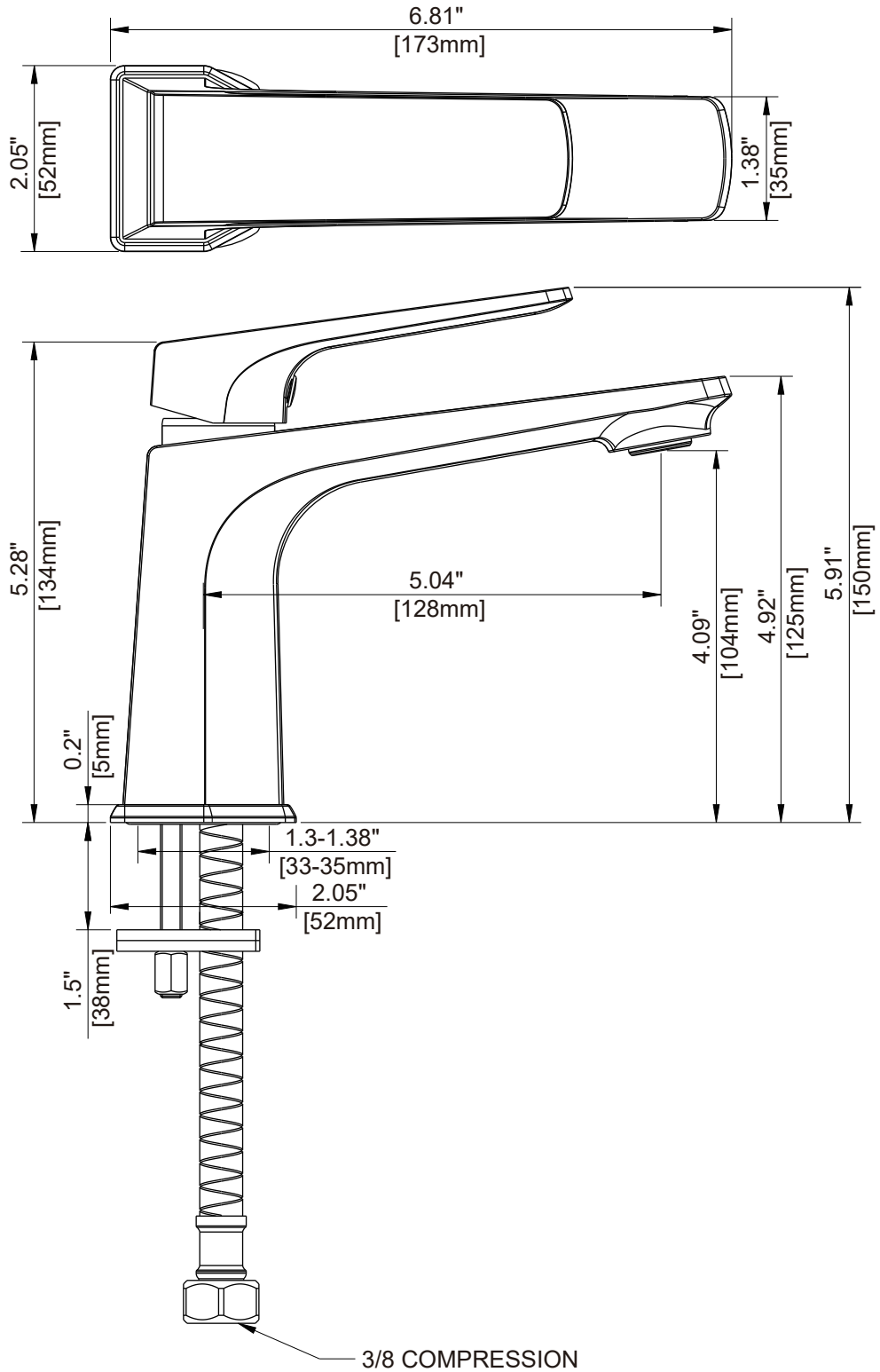
Installer's Name .....Phone .....

I have read the Owner's Manual carefully and understand and agree that any installation, operation or maintenance of the product must be done strictly in accordance with instructions and guidelines contained in the owner's manual and installation guide.

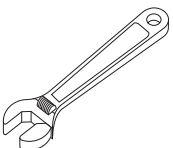
Signature..... Date.....

**Need help? For technical support call 305-614-4070 or visit us at [www.ANZZI.com](http://www.ANZZI.com)**

# PRODUCT SIZE CHART

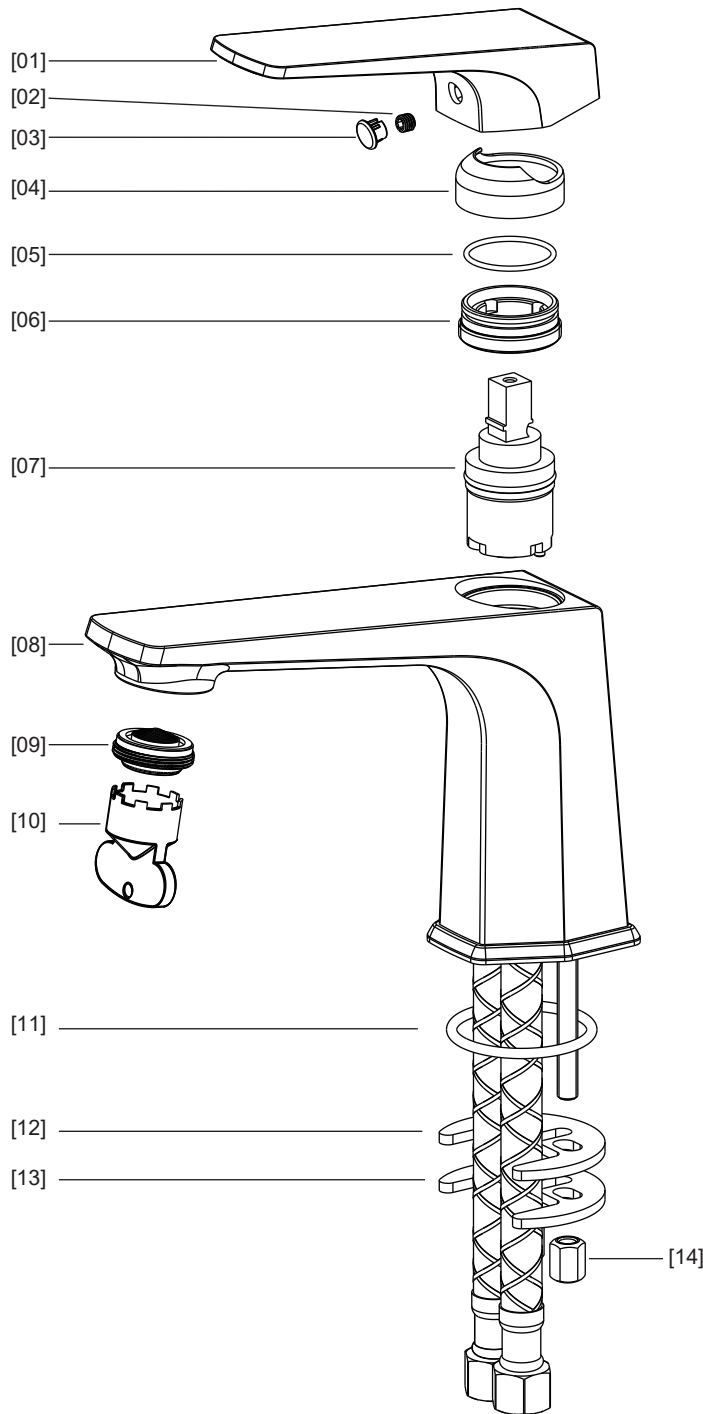


## TOOLS



Wrench

# COMPONENTS



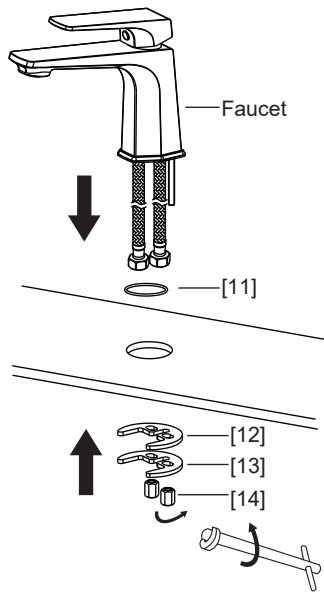
| Part. | Description   | Qty |
|-------|---------------|-----|
| [01]  | Handle        | 1   |
| [02]  | Screw         | 1   |
| [03]  | Button        | 1   |
| [04]  | Cap           | 1   |
| [05]  | O-ring        | 1   |
| [06]  | Retainer      | 1   |
| [07]  | Cartridge     | 1   |
| [08]  | Body          | 1   |
| [09]  | Aerator       | 1   |
| [10]  | Key           | 1   |
| [11]  | O-ring        | 1   |
| [12]  | Rubber Gasket | 1   |
| [13]  | Metal Gasket  | 1   |
| [14]  | Lock nut      | 2   |
| [15]  | T-Wrench      | 1   |

## Before installation:

1. Please make sure that all components have been included.
2. Ensure that all supply lines are free of debris with supply stops installed.
3. Ensure water pressure is between 20-125 PSI.
4. If you are having difficulties with installation, please contact a professional plumber.

# INSTALLATION

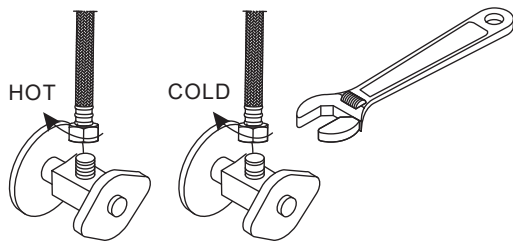
1



## STEP 1:

1. Remove **Rubber Gasket [12]**, **Metal Gasket [13]** and **Lock Nut [14]** from **Faucet**.
2. Install **Faucet** with **O-ring [11]** at the bottom into the faucet hole on sink. Adjust the **Faucet**.
3. Slide **Rubber Gasket [12]**, **Metal Gasket [13]** up onto **Faucet** under sink and secure with **Lock Nut [14]**.
4. First hand tighten the **Lock Nut [14]**, then finish tightening with **T-Wrench [15]** to secure the **Faucet**.

2

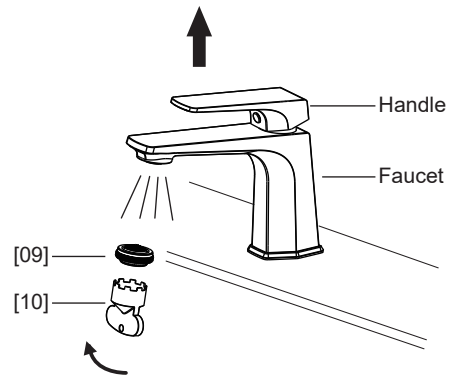
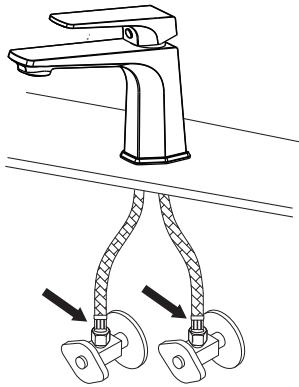


## STEP 2:

1. Make sure all fittings and end connections are free of debris.
  2. Turn off the supply valves (not provided).
  3. Connect faucet supply hoses to the supply valves, making sure the red braided hose with "HOT" label is connected to the hot supply valve and the blue braided hose with "COLD" label is connected to the cold supply valve. Hand tighten the connections first, then finish tightening with wrench. **DO NOT OVERTIGHTEN.**
- WARNING:** Do not use pipe dope or other sealants on water connections.

# INSTALLATION

3

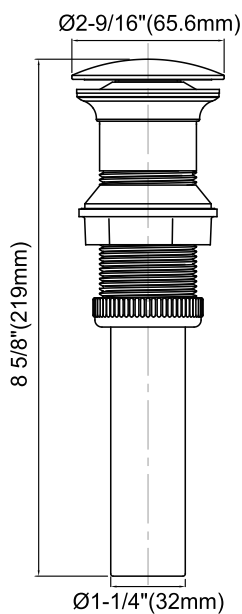


## STEP 3:

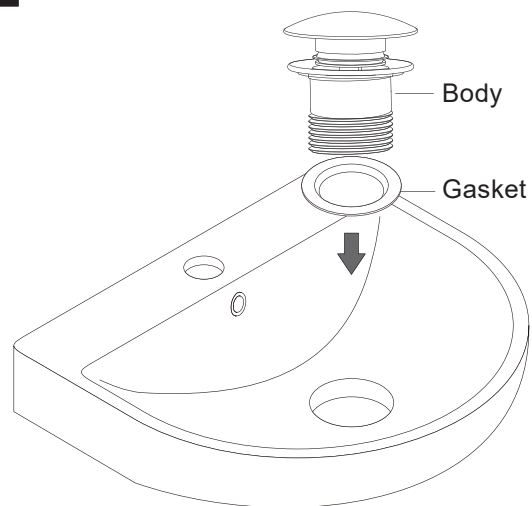
1. Turn on hot and cold water supplies and check all connections for leaks where indicated by arrows. Retighten if necessary, but **Do Not Overtighten**.
2. Using the **Key [10]**, remove **Aerator [09]** from **Faucet**.
3. Turn the **Handle** to full on position and flush water lines for one minute. Reinstall **Aerator [09]** with the **Key [10]**.

## PUSH POP-UP INSTALLATION

### Specification



4

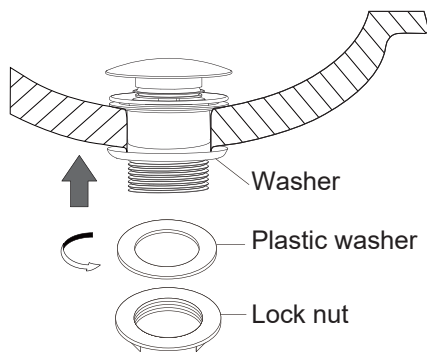


## STEP 4:

1. Remove **Body** and **Gasket** from **POP-UP** drain.
2. Install the **Body** and **Gasket** through the drain hole of the sink as shown in Figure 4.

# INSTALLATION

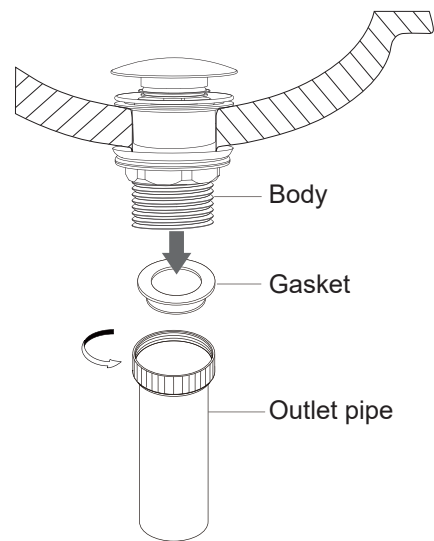
5



## STEP 5:

Slide **Washer**, **Plastic washer** and **Lock nut** up onto the **Body** from under the sink and secure with **Lock nut**.

6

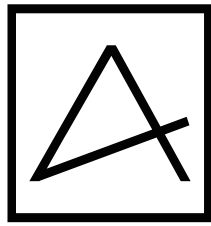


## STEP 6:

Install the **Outlet pipe** with **Gasket** up onto the **Body** from under the sink and tighten it securely.  
Note: Ensure there is a **Gasket** between **Body** and **Outlet pipe**.

# CLEANING & MAINTENANCE

1. To preserve the finish on the metallic parts of your ANZZI faucet, apply non-abrasive wax, such as car wax. Any cleaners should be rinsed off immediately.
2. Clean the aerator regularly to remove calcium build-up and any blockages that could reduce water flow.



ANZZI®