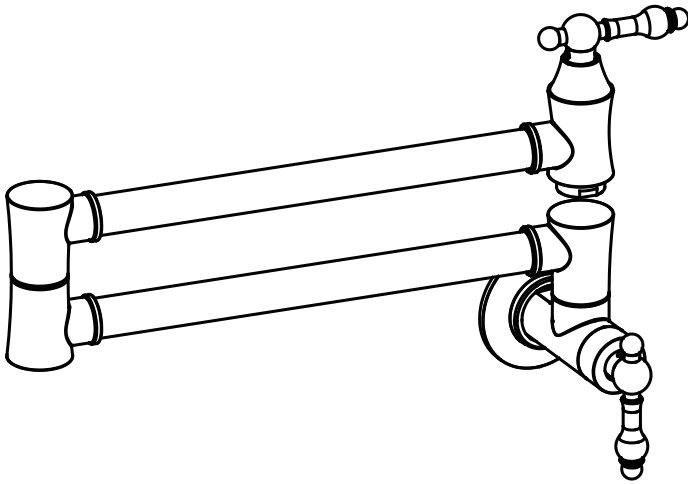




ANZZI®

Item:KF-AZ259\*\*

ANZZI POT FILLER  
INSTALL & OPERATION MANUAL  
V1.0



### DESCRIPTION

- Brass construction
- Thread : 1/2 NPT

### FLOW

- 4 gpm @ 60 psi, 15.1 L/min @ 414 kPa

### CARTRIDGE

- Brass cartridge

**NOTE:** THIS FAUCET IS DESIGNED TO BE  
INSTALLED THRU 1 HOLE,  $\Phi$ 1-3/8" MIN.

# DON'T WAIT! REGISTER NOW!

Register your product within 90 days to ensure your product is recognized as an official purchase and is eligible for warranty coverage.

Mail in the completed registry card (Pg. 2) or register online at [www.swcorp.com/register](http://www.swcorp.com/register).



## PRODUCT REGISTRATION\*

**IMPORTANT: YOUR WARRANTY WILL NOT BE RECOGNIZED UNLESS THIS CARD IS FULLY COMPLETED AND RETURNED OR ONLINE REGISTRATION IS COMPLETED.**

To ensure that your warranty is registered and confirmed please do one of the following:

1. Register online at [www.swcorp.com/register](http://www.swcorp.com/register). You will be asked to fill out the same information you would in the registration card. Registering online is fast, secure and ensures we receive your information.
2. Complete, cut-out and mail the registration card below. By returning this registration card we confirm the date of purchase for your new product. This confirmation will allow us to process any warranty claims.

**Mail the card to: 5701 NW 35 Avenue, Miami, FL 33142**



### Product Registration Card

Name..... Address .....

City..... State..... Zip.....

Phone ..... Email.....

Date of Purchase .....

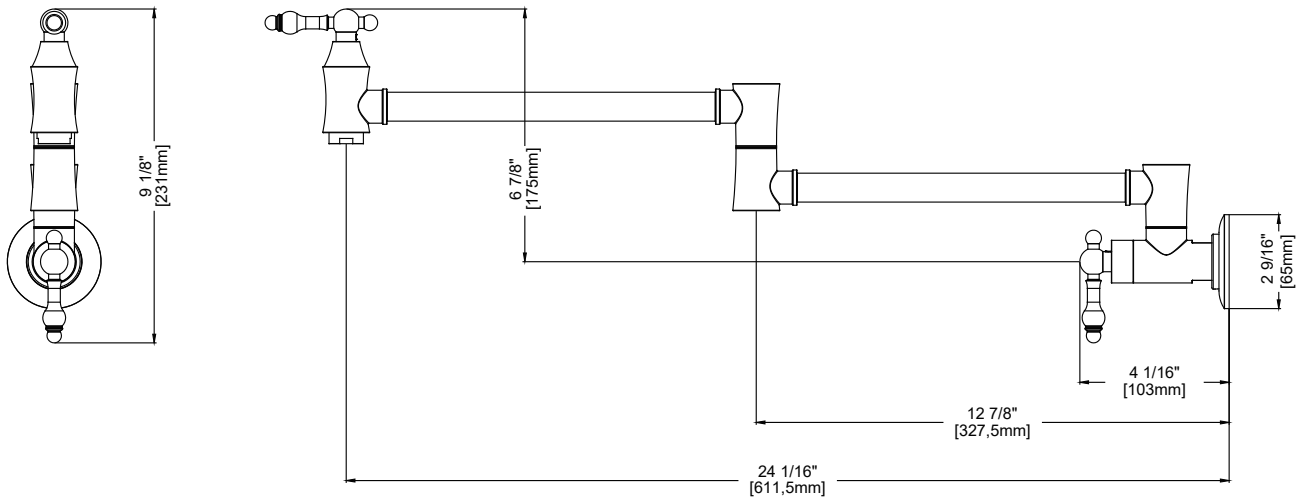
Installer's Name ..... Phone .....

I have read the Owner's Manual carefully and understand and agree that any installation, operation or maintenance of the product must be done strictly in accordance with instructions and guidelines contained in the owner's manual and installation guide.

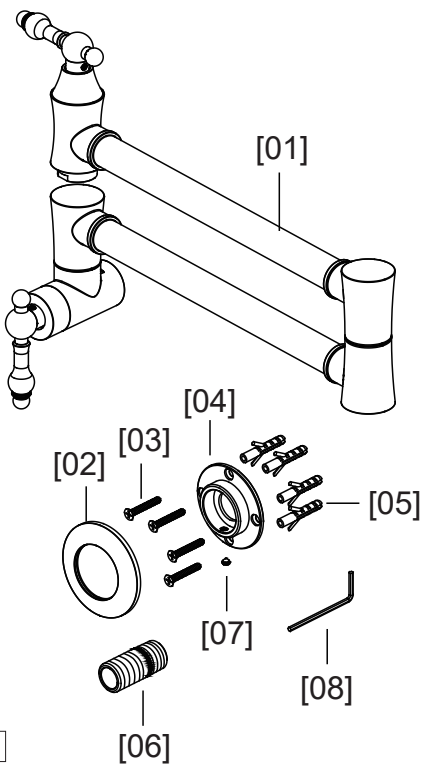
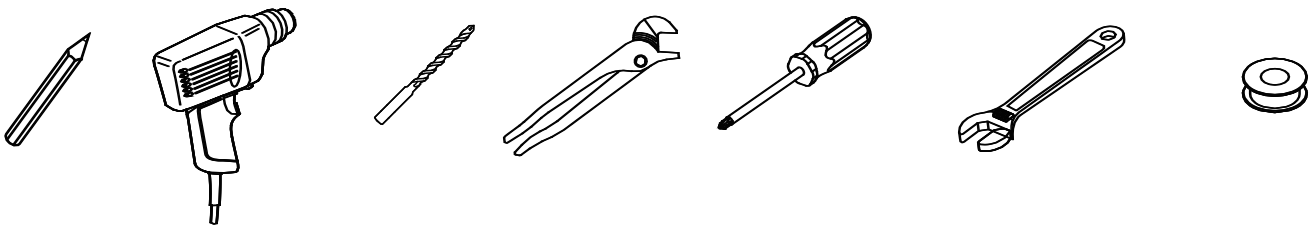
Signature..... Date.....

Need help? For technical support call 305-614-4070 or visit us at [www.ANZZI.com](http://www.ANZZI.com)

# CRITICAL DIMENSIONS



## Tools Required



Part	Description	Qty.
[01]	Faucet	1
[02]	Flange	1
[03]	Screw	4
[04]	Anchor	1
[05]	Plug	4
[06]	Connector	1
[07]	Hex Screw	1
[08]	Allen Wrench	1



## ATTENTION

- Be sure that each parts are in the package.
- **OLD FAUCET:** Always turn water supply OFF before removing existing faucet or disassembling the valve. Open faucet handle to relieve water pressure and ensure that complete water shut-off has been accomplished.

**1**

1/2" (13mm)

the short side for the outlet

[06]

Connect to 1/2" IPS supply line. The pipe should extend 1/2" past the finished wall surface. Using the Connector [06] if needed.

**WARNING:** Connect to Cold Water Only.

**2**

a

b

Do not full tighten.

**3**

Tighten the Hex Screw [07] and mark the screw holes in the flange. Unthread the faucet from the pipe.

**4**

Drill 15/64" (6 mm) holes where marked and install the Plugs [05].

**5**

Wrap plumber tape around pipe threads. Install the Anchor [04] using the 4 Screws [03].

**6**

Place Flange [02] onto the faucet as shown. Thread faucet onto pipe. Tighten securely, but do not over tighten.

**7**

Tighten Hex Screw [07] in Anchor [04]. Slide Flange [02] over the wall Anchor [04]. Check all connections at arrows for leaks. Retighten if necessary, but do not over tighten.

Remove aerator (1) and turn faucet handles (2) to the full on position. Turn on cold water supply and flush water line for one minute. Important: This flushes away any debris that could cause damage to internal parts. Check all connections for leaks. Re-tighten if necessary, but do not over tighten.

**Notice:** Leaks and property damage may occur from incorrect installation. Follow all installation instructions before making final connections and turning on the supplies. Shut off both handles when not in use or left unattended. Improper use or inadequate drainage below faucet may cause water damage.

## CARE & MAINTANCE

- To preserve the finish on the metallic parts of your ANZZI faucet, apply non-abrasive wax, such as car wax. Any cleaners should be rinsed off immediately.
- Clean the aerator regularly for calcium build up or any blockage that reducing water flow.