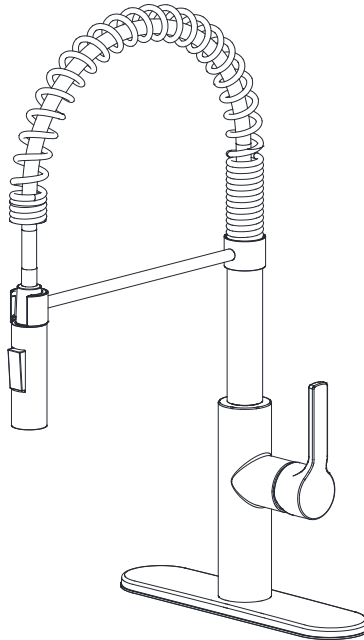




ITEM: KF-AZ303**
ANZZI SENSOR KITCHEN FAUCET
INSTALLATION & OPERATION MANUAL

V1.0
06/10/2022



NSF/ANSI/CAN 372
NSF/ANSI/CAN 61-B-Q ≤ 1



DON'T WAIT! REGISTER NOW!

Register your product within 90 days to ensure your product is recognized as an official purchase and is eligible for warranty coverage.

Mail in the completed registry card (Pg. 2) or register online at www.swcorp.com/register.



PRODUCT REGISTRATION*

IMPORTANT: YOUR WARRANTY WILL NOT BE RECOGNIZED UNLESS THIS CARD IS FULLY COMPLETED AND RETURNED OR ONLINE REGISTRATION IS COMPLETED.

To ensure that your warranty is registered and confirmed please do one of the following:

1. Register online at www.swcorp.com/register. You will be asked to fill out the same information you would in the registration card. Registering online is fast, secure and ensures we receive your information.
2. Complete, cut out and mail the registration card below. By returning this registration card we confirm the date of purchase for your new product. This confirmation will allow us to process any warranty claims.

Mail the card to: 5701 NW 35 Avenue, Miami, FL 33142



CUT ALONG
DOTTED LINE.

Product Registration Card

Name..... Address

City..... State..... Zip.....

Phone..... Email.....

Date of Purchase..... Order or Purchase #..... SKU or Model #.....

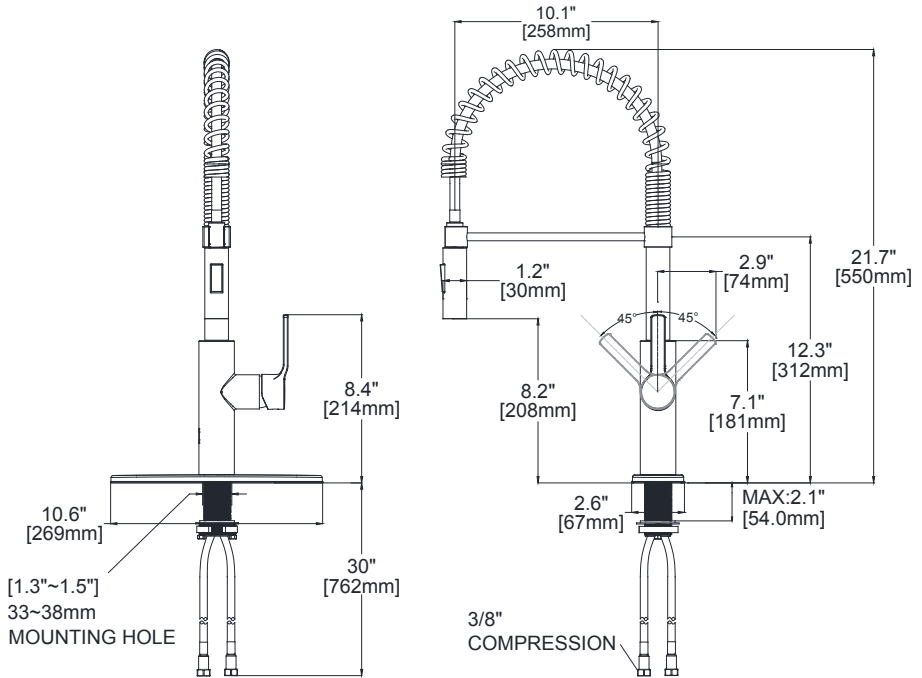
Installer's Name..... Phone

I have read the Owner's Manual carefully and understand and agree that any installation, operation or maintenance of the product must be done strictly in accordance with instructions and guidelines contained in the owner's manual and installation guide.

Signature..... Date.....

Need help? For technical support call 305-614-4070 or visit us at www.ANZZI.com

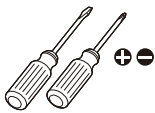
PRODUCT SIZE CHART



TOOLS AND MATERIALS



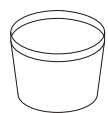
Wrench



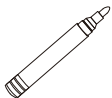
Screwdriver



Silicone Sealant



Bucket



Marker Pen

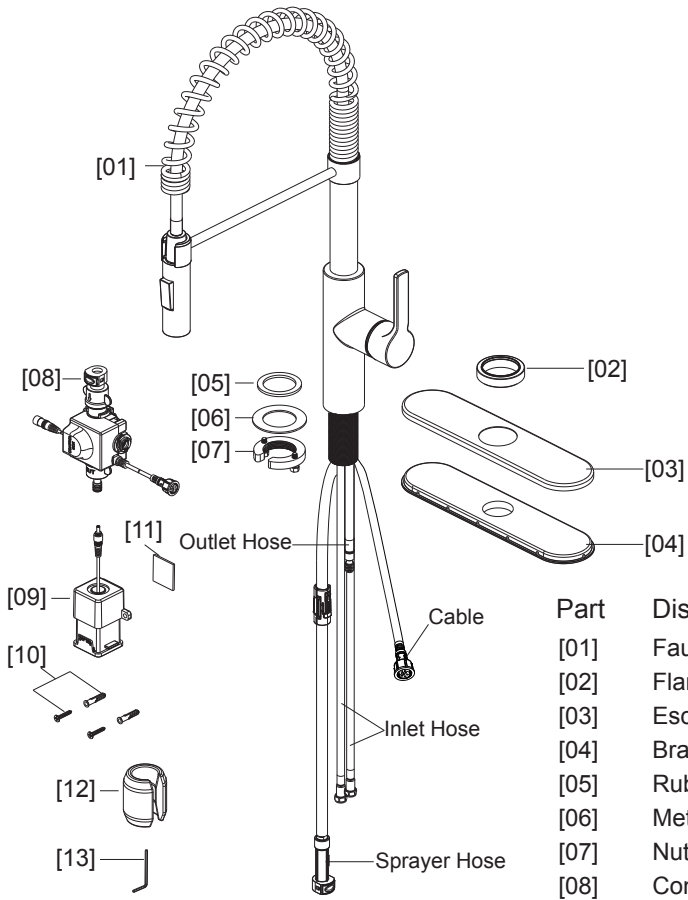


Drill



1/4"
(6mm)
Drill Bit

COMPONENTS

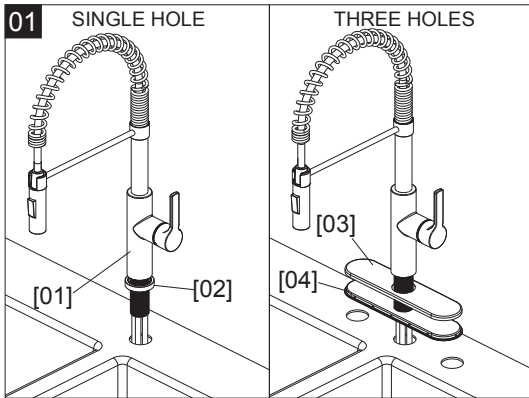


Part	Discription	Qty.
[01]	Faucet	1
[02]	Flange	1
[03]	Escutcheon	1
[04]	Bracket	1
[05]	Rubber Washer	1
[06]	Metal Washer	1
[07]	Nut	1
[08]	Control Box	1
[09]	Battery Box	1
[10]	Screws & anchors	1
[11]	Sticker	1
[12]	Weight	1
[13]	Allen Key	1

Before installation:

1. Please check that all components are present.
2. Ensure that all supply lines are free of debris with supply stops installed.
3. Ensure water pressure is between 20-125 PSI.
4. If you are having difficulties on installation, please contact a professional plumber.

INSTALLATION



STEP 1:

Remove **Rubber Washer [05]**, **Metal Washer [06]** and **Nut [07]** from **Faucet [01]**.

Single hole application: Install **Faucet [01]** and **Flange [02]** through the faucet hole.

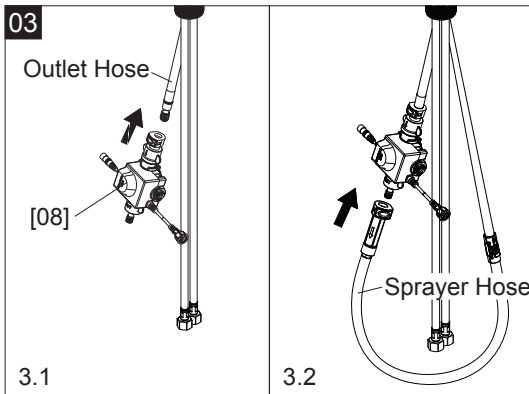
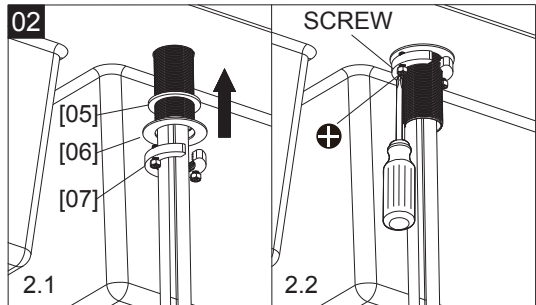
Three holes application: Install **Faucet [01]** through **Escutcheon [03]** and **Bracket [04]** through the faucet hole. Adjust the **Escutcheon [03]**.

Note: Faucet handle should always be on the right-hand side.

STEP 2:

2.1 Slide **Rubber Washer [05]** and **Metal Washer [06]** up onto **Faucet [01]** from under the sink and secure with **Nut [07]**.

2.2 Hand tighten the **Nut [07]** and tighten the screws with a screwdriver to secure the faucet.



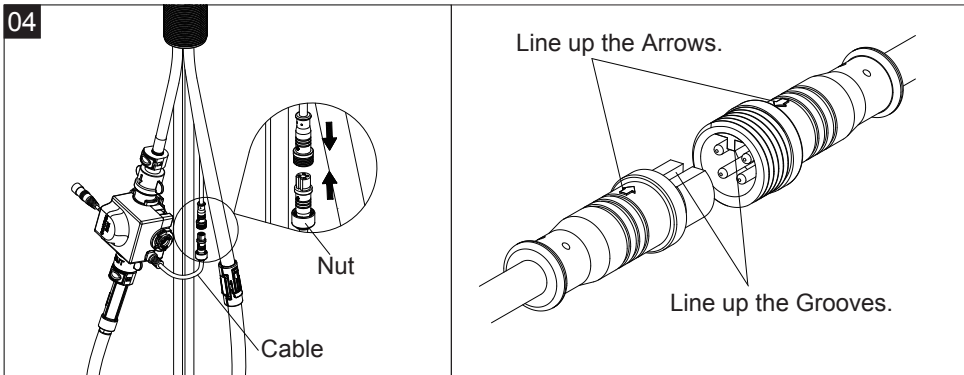
STEP 3:

3.1 Connect the **Control Box [08]** to the outlet hose (the shortest one) under the sink, as the picture shows. Push in until a "click" is heard. Next, tug the **Control Box [08]** downward to ensure it's connected firmly.

3.2 Connect the sprayer hose (the longest one) to the bottom connector of the **Control Box [08]**. Push in until a "click" is heard. Then, tug the hose downward to ensure it's connected firmly.

INSTALLATION

04

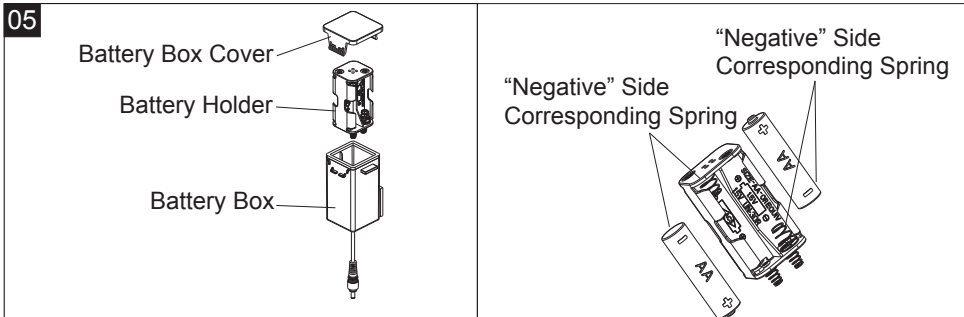


STEP 4:

Connect the **Faucet [01]** 4-pin cable to the **Control Box [08]** cable. Secure the connection by tightening the nut found on the **Control Box [08]** cable.

IMPORTANT! Make sure to line up the arrows and grooves found on both cables. Forcing a misaligned connection will damage the pins and cause the touchless sensor to malfunction.

05



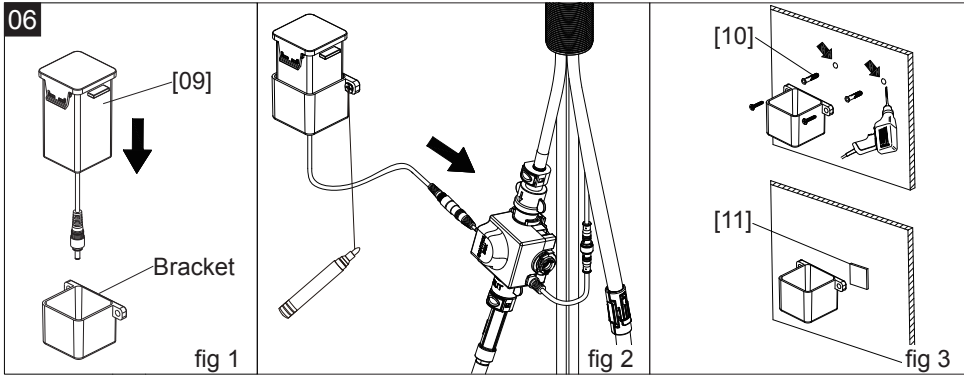
STEP 5:

1. Remove the **Battery Box Cover** and take out the **Battery Holder**.
2. Install 4 AA batteries(not provided) to the **Battery Holder** and push it back into the **Battery Box**.
3. Install the **Battery Box Cover** until a “click” is heard.

Notice:

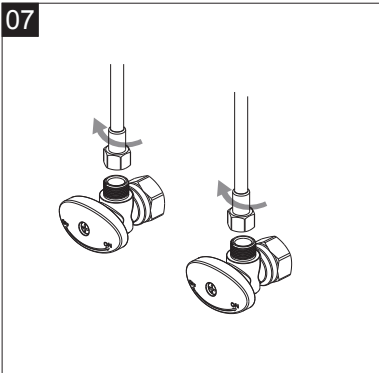
- a. Make sure the battery polarities match.
- b. Don't mix old and new batteries.
- c. Do not mix alkaline, standard (carbon zinc) or rechargeable (nickel cadmium, nickel manganese) batteries.
- e. Do not throw away used batteries into the garbage. Please properly dispose of all used batteries in accordance to your local codes and laws.

INSTALLATION



STEP 6:

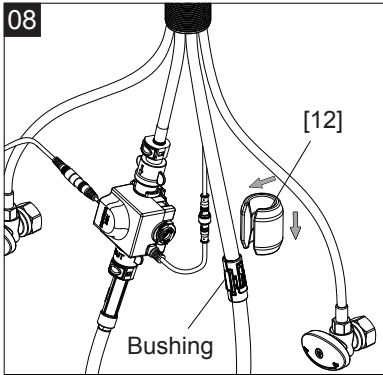
1. Install the **Battery Box [09]** to the bracket.
2. Connect the cable of the **Battery Box [09]** with the cable of the **Control Box [08]**.
3. There are two ways to secure the **Battery Box [09]** (fig 3):
 - a. Secure the **Battery Box [09]** with **Sticker [11]** on the wall near the **Control Box [08]**.
 - b. Locate the **Battery Box [09]** and mark the screw holes of the bracket on the wall. Drill two 0.24" (6mm) diameter holes on the wall. Insert the plastic anchors into the holes and drive screws into the anchors. If screw locations are in wall stud, drive screws directly into stud.



STEP 7:

Make sure all fittings and end connections are free of debris. Turn off the supply valves (not provided). Connect faucet supply hoses to the supply valves, making sure the red braided hose with "HOT" label connected to the hot supply valve and the blue braided hose with "COLD" label connected to the cold supply valve, hand tighten them, then tighten with wrench. **DO NOT OVERTIGHTEN.**
WARNING: Do not use pipe dope or other sealants on water connections.

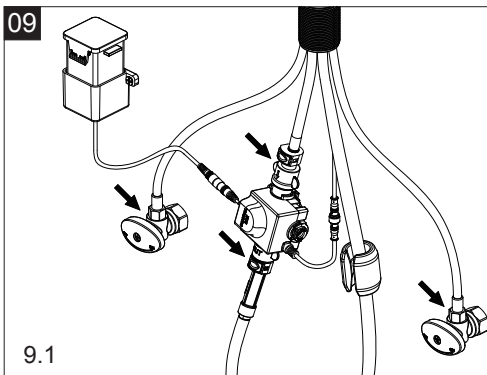
INSTALLATION



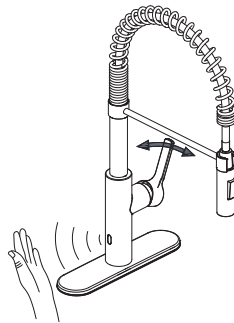
STEP 8:

Install the **Weight [12]**:

1. Slid the **Weight [12]** onto the sprayer hose above the bushing.
2. Push the **Weight [12]** downward to the bushing until it stops.
3. Shake the **Weight [12]** to make sure it is secured.



9.2



STEP 9:

9.1 Turn on hot and cold water supplies and check all connections at arrows for leaks.

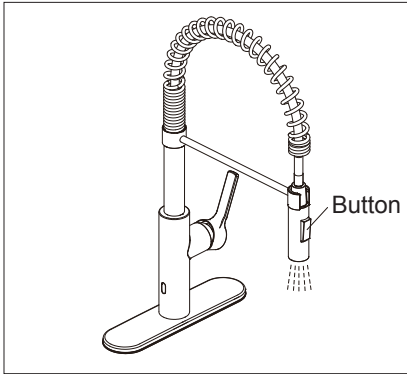
Retighten if necessary, but do not overtighten.

9.2 Open the handle and wave your hand over the sensor within 2.7" (7cm) distance to start the flow of water. Set the water temperature using the handle. Turn the handle forward will lower the water temperature. Turn the handle backward will raise the water temperature. Let the water flow and check all connections at arrows for any leaks. The water flow will automatically stop in 3 minutes.

Notice:

- a. Please keep the sensor window clean.
- b. When the battery is low, the sensor window will flash twice per second until battery runs out. Please replace the batteries as soon as possible.
- c. When the batteries have run out and new replacement batteries are not available, please switch the control box to manual operation by following the instructions on PG.7.

OPERATION

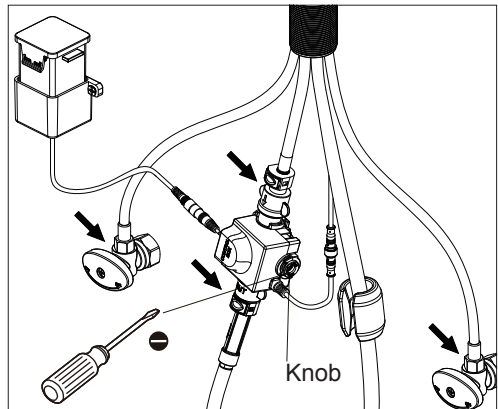


SPRAYER FUNCTIONS.

The sprayer will be on flow mode when faucet is turned on. Press the button to switch to spray mode. The sprayer will switch back to flow mode automatically when the faucet is turned off.

MANUAL OPERATION.

1. Using a Flathead screwdriver to turn the knob counter-clockwise until it stops to disable the sensor control and switch to a manually operated mode. In manual operation the water flow is fully controlled using the handle like any standard faucet.
2. Turn the knob clockwise until it stops to switch back to the sensor control mode.

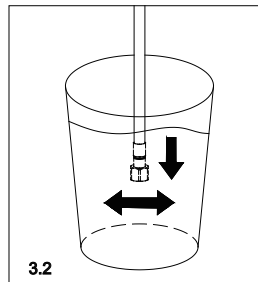
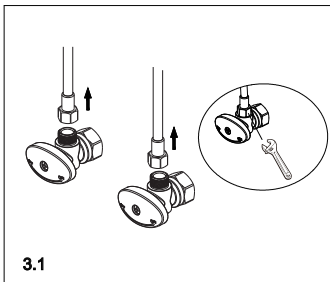


Notice:

1. Leaks or damage may occur due to improper installation. Read all instructions before making any final connections and turning on water supplies.
2. When exiting the home make sure to close the faucet handle.
3. When leaving home or not using the faucet for an extended period of time please take the following actions:
 - a. Close all water supply lines for the faucet.
 - b. Remove the batteries from the battery box.

CLEANING & MAINTENANCE

1. To preserve the finish on the metallic parts of your ANZZI faucet, apply non-abrasive wax, such as car wax. Rinse off any cleaners immediately.
2. Clean the aerator regularly for calcium build-up or any blockage that reduces water flow.
3. If the water flows slower than normal, please clean the filter at the inlet hoses.
 - a. Remove the hot and cold supply hoses (Fig 3.1).
 - b. Insert each hose into a cup of clean water and agitate it back and forth for 15 seconds to remove any possible debris. Then, take out the hose from the cup and drain it (Fig 3.2).
 - c. Connect the supply hoses back to the supply valves. Tighten the nuts of the supply hoses but do not over tighten.
 - d. Turn on hot and cold water supplies and check all connections for leaks. Retighten if necessary, but do not overtighten.



Troubleshooting Table

Symptoms	Probable Causes	Recommended Action
No flow	The supply stops are closed.	Confirm that the supply stops are open.
	Handle is in the closed position.	Rotate the handle to the open position. Refer to the "Operation" section.
	No battery installed	Install battery, refer to Step 5.
	The battery is dead	Replace battery, refer to Step 5. Before replacing the battery, you can use a Flathead screwdriver to turn the control box knob. The faucet can be used as a conventional faucet. After replacing the battery, turn the knob to the "off" position. Refer to "Manual Operation"



ANZZI®