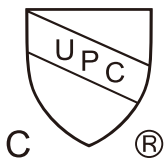
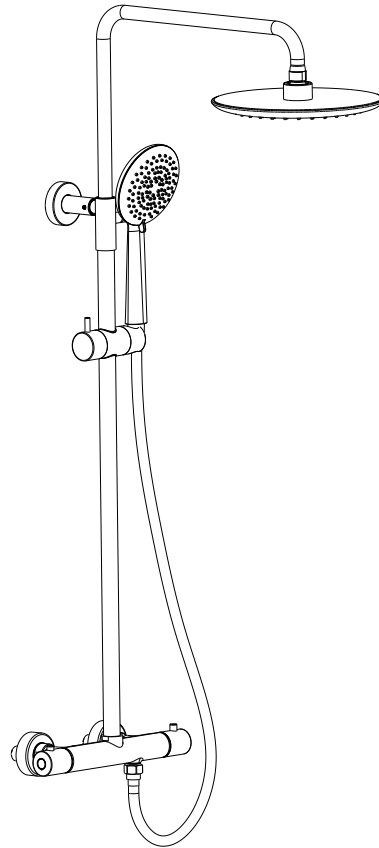


ANZZI®

Item: SH-AZ101 **
ANZZI RAINFALL SHOWER BAR
INSTALLATION & OPERATION MANUAL
V1.0
05/10/2022



DON'T WAIT! REGISTER NOW!

Register your product within 90 days to ensure your product is recognized as an official purchase and is eligible for warranty coverage.

Mail in the completed registry card (Pg. 2) or register online at www.swcorp.com/register.



PRODUCT REGISTRATION*

IMPORTANT: YOUR WARRANTY WILL NOT BE RECOGNIZED UNLESS THIS CARD IS FULLY COMPLETED AND RETURNED OR ONLINE REGISTRATION IS COMPLETED.

To ensure that your warranty is registered and confirmed please do one of the following:

1. **Register online at www.swcorp.com/register** . You will be asked to fill out the same information you would in the registration card. Registering online is fast, secure and ensures we receive your information.
2. **Complete, cut out and mail the registration card below.** By returning this registration card we confirm the date of purchase for your new product. This confirmation will allow us to process any warranty claims.

Mail the card to: 5701 NW 35 Avenue, Miami, FL 33142



Product Registration Card

Name..... Address

City..... State..... Zip.....

Phone Email.....

Date of Purchase Order or Purchase #..... SKU or Model #.....

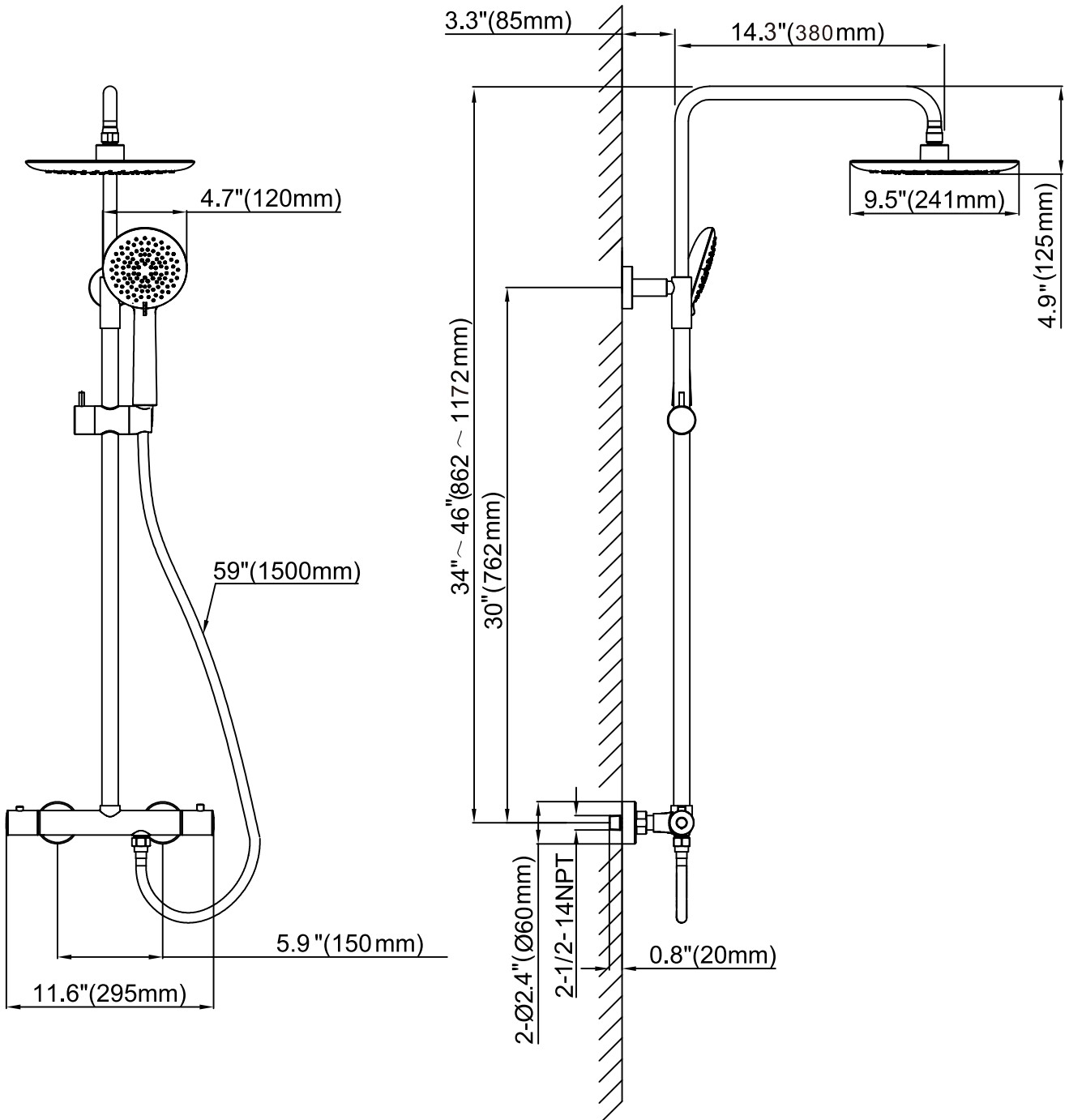
Installer's Name Phone

I have read the Owner's Manual carefully and understand and agree that any installation, operation or maintenance of the product must be done strictly in accordance with instructions and guidelines contained in the owner's manual and installation guide.

Signature..... Date.....

Need help? For technical support call 305-614-4070 or visit us at www.ANZZI.com

PRODUCT SIZE CHART

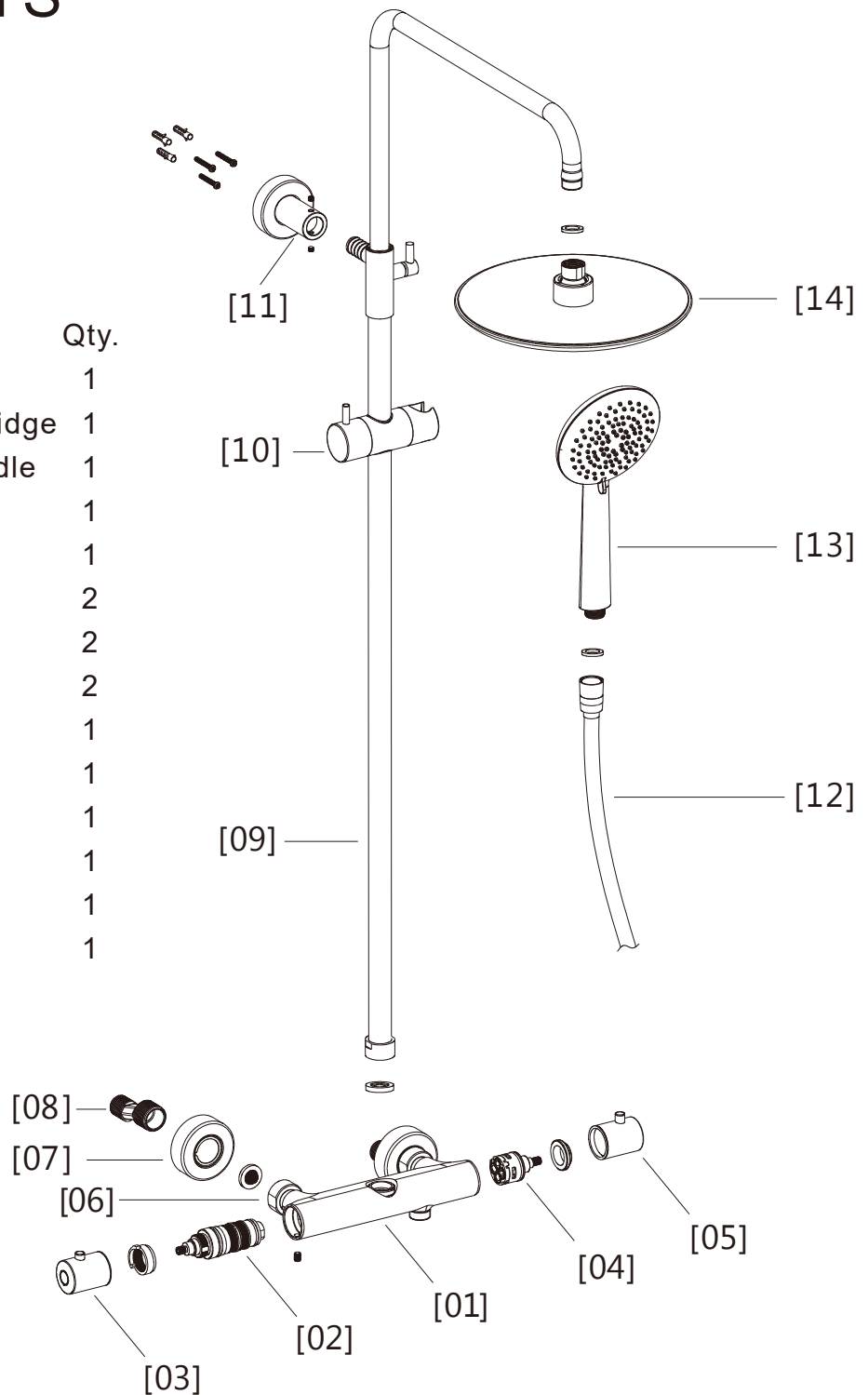


TOOLS AND MATERIALS



COMPONENTS

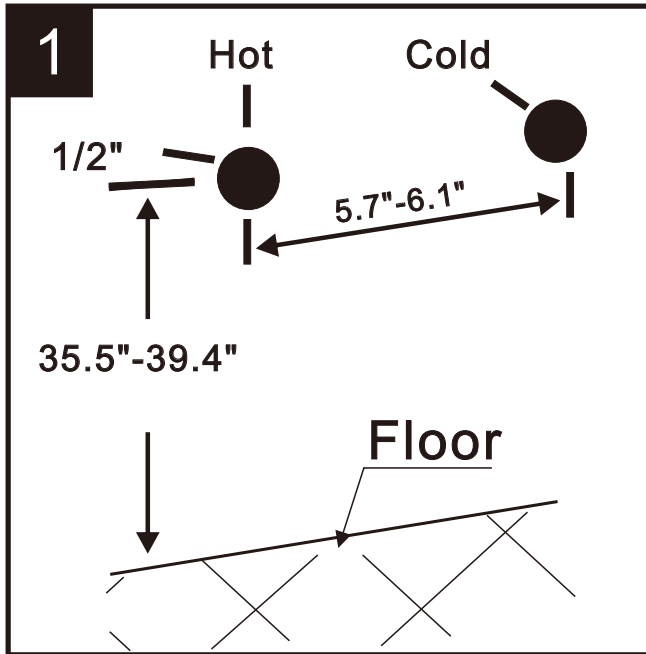
Part	Description	Qty.
[01]	Faucet	1
[02]	Thermostatic Cartridge	1
[03]	Temp. Control Handle	1
[04]	Diverter	1
[05]	Diverter Handle	1
[06]	Nut	2
[07]	Cover	2
[08]	Nipple	2
[09]	Riser	1
[10]	Bracket	1
[11]	Mounting Kit	1
[12]	Shower Hose	1
[13]	Hand Shower	1
[14]	Shower head	1



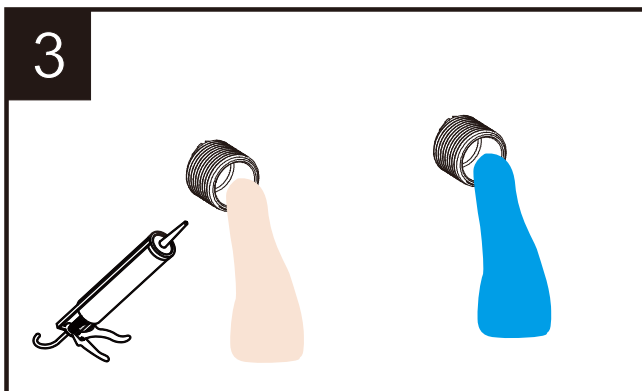
Before installation:

1. Please check the product for damage and missing parts immediately upon delivery. Damage reported later will not be covered by our warranty. Please handle the product with care.
2. Ensure that all supply lines are free of debris.
3. Ensure water pressure is between 20-125 PSI.
4. Make sure that the wall is strong enough to support the showerpipe. The wall must be reinforced at the mounting points. The area where the top mounting piece is to be installed must be flat and free of protruding grout joints, etc.
4. If you are having difficulties on installation, please contact a professional plumber .

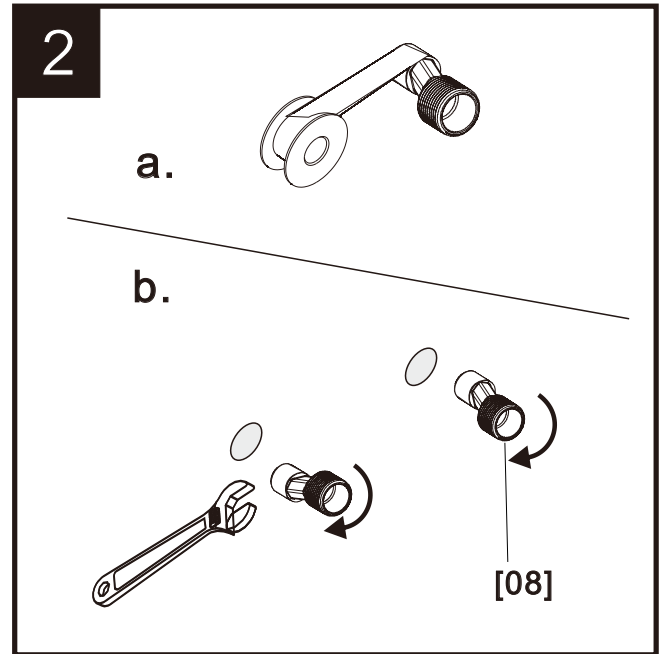
INSTALLATION



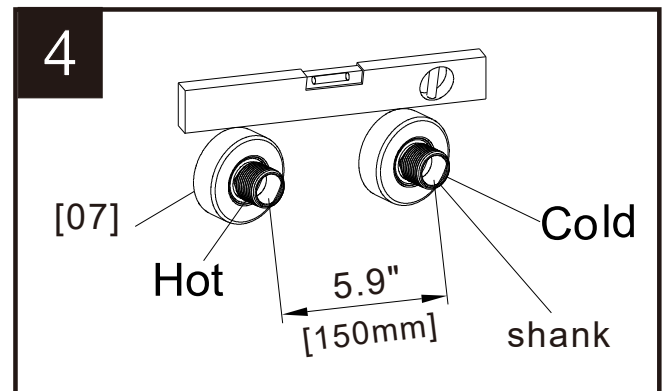
STEP 1:
Ensure that the center distance of outlets are between **5.7" - 6.1"**. The Hot inlet is on the **Left**, and the **Cold** inlet is on the **Right**. The height of the inlets from the floor is about **35.5" - 39.4"**. Ensure each inlet with the same height.



STEP 3:
Turn on the valves and flush the hot and cold supplies thoroughly for 30s to 1 minute. Then turn off the valve and seal the wall around the nipples with waterproof sealant.

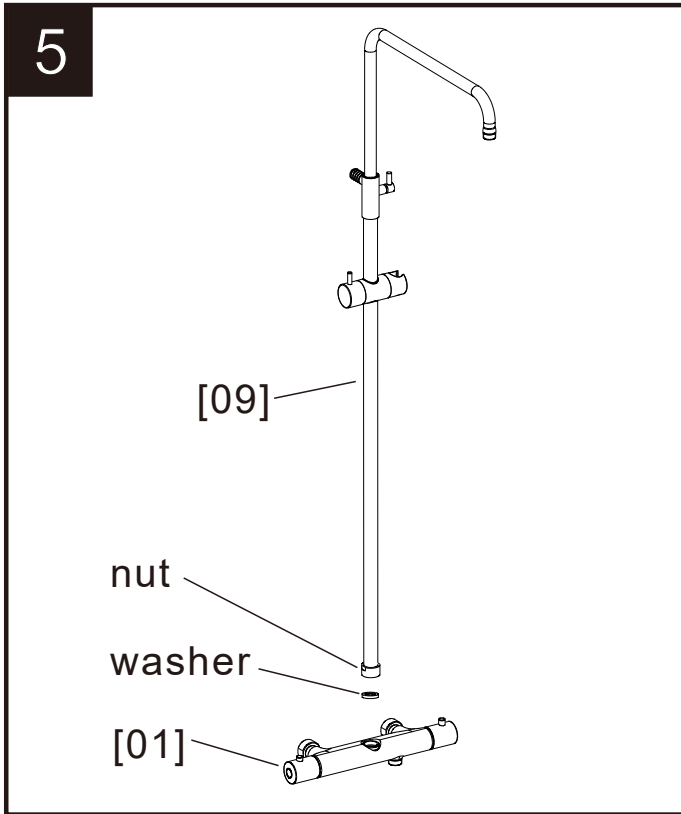


STEP 2:
a. Wrap the smaller point of **Nipples [08]** with water sealing tape.
b. Install the **Nipples [08]** and secure by wrench.

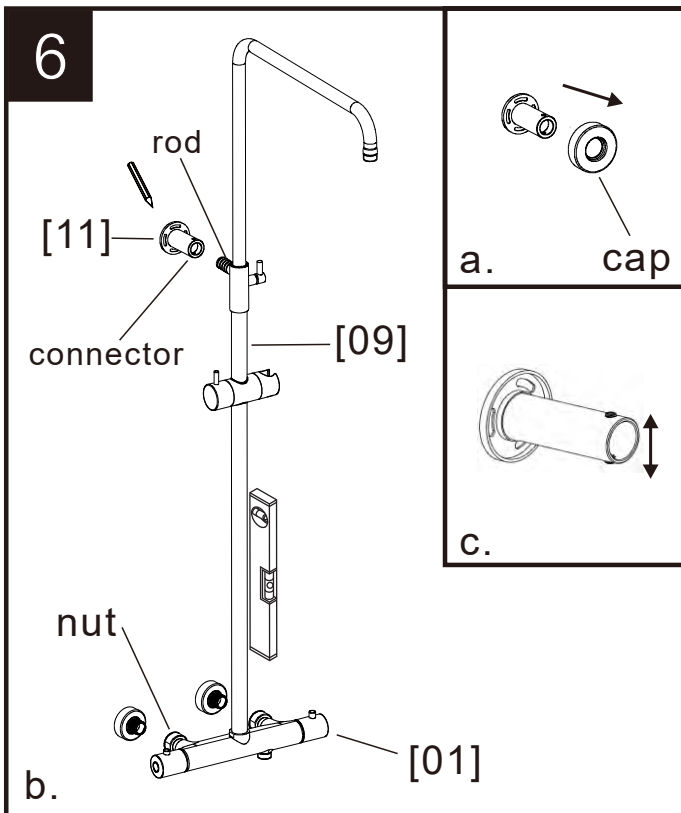


STEP 4:
Install the **Covers [07]** and place the leveler on the **Covers [07]** and make sure the leveler is in level condition. Then place the leveler on the shanks. Make sure the leveler is in level condition and the distance between the shanks is **5.9"**.

INSTALLATION



STEP 5:
Install the **Riser [09]** with washer to the **Faucet [01]**. Hand tighten the nut.

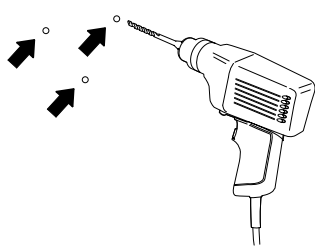


STEP 6:

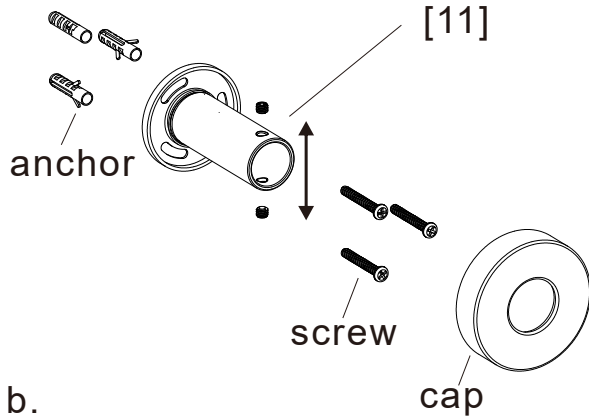
- Remove the cap from the **Mounting Kit [11]**.
- Install the **Mounting Kit [11]** to the rod of the **Riser [09]** then install the **Faucet [01]** and hand tighten the nuts.
- Adjust the **Mounting Kit [11]** until the screw holes of connector are aligned vertically.
- Make sure the **Riser [09]** is vertical.
- Mark the positions of the screw holes.
- Remove the **Faucet [01]** and **Riser [09]**.

INSTALLATION

7



a.

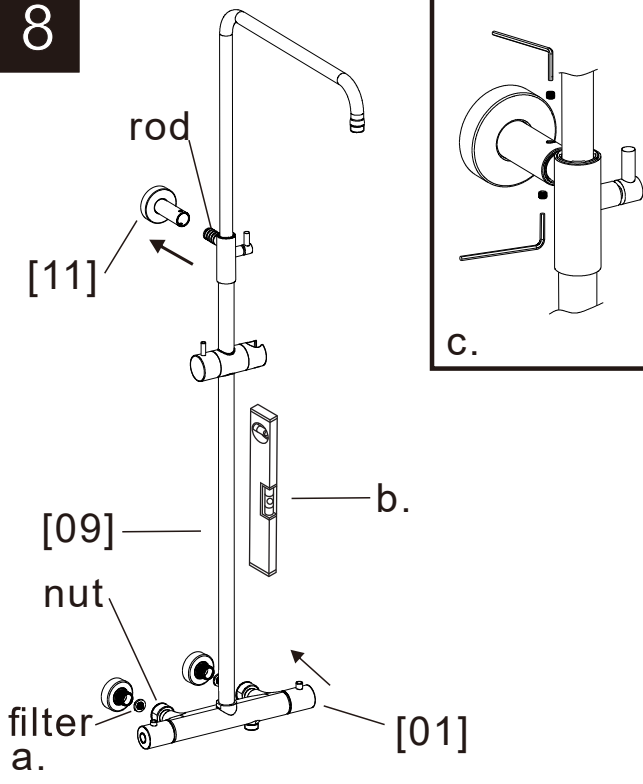


b.

STEP 7:

- Drill the holes for the **Mounting Kit [11]** using a 1/4" (6 mm) bit.
- Install the anchors.
- Secure the **Mounting Kit [11]** with screws.
- Make sure the screw holes are aligned vertically.
- Slide the cap to the **Mounting Kit [11]**.

8



c.

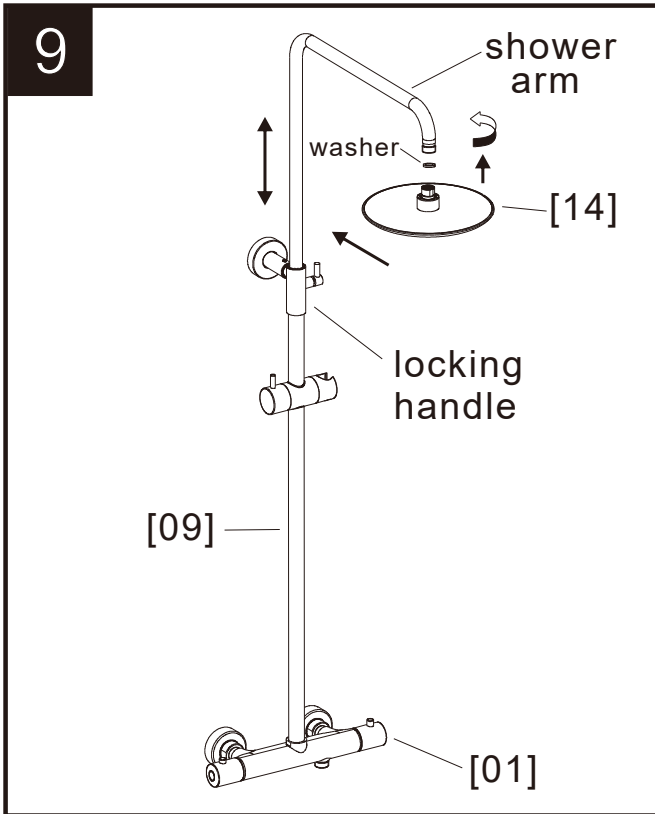
STEP 8:

- Install the **Faucet [01]**, filters and **Riser [09]**. Push the rod into the hole of the **Mounting Kit [11]**. Hand tighten the nuts and secure with wrench. Do not over tighten.

Note:

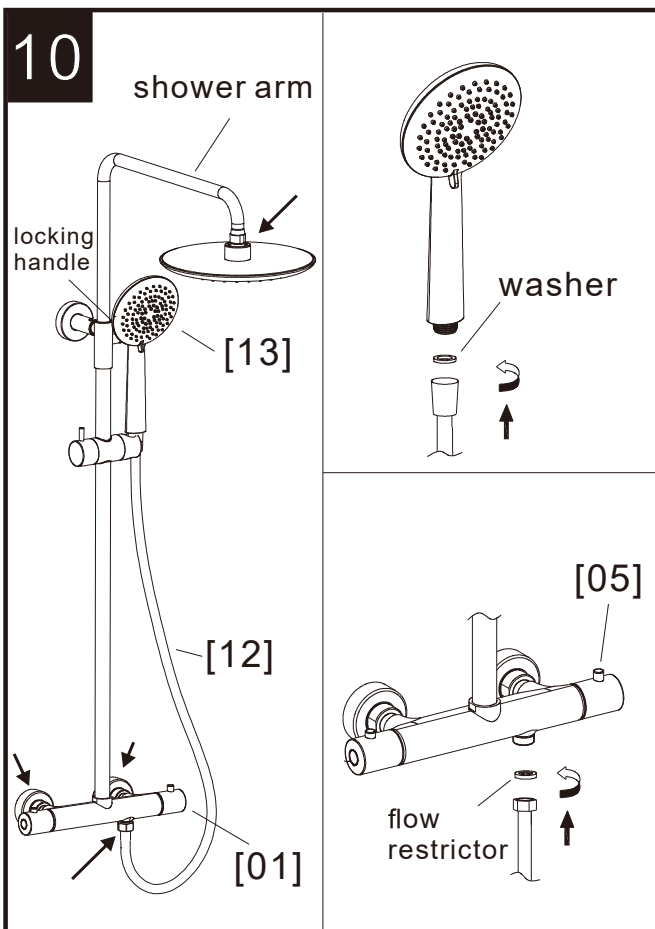
- Put a thin cloth between the nut and the wrench to avoid scratching.
- Make sure the **Riser [09]** is vertical.
 - Secure the rod of **Riser [09]** by tighten the screws.

INSTALLATION



STEP 9:

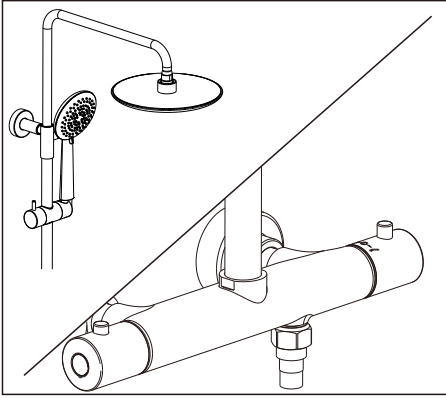
- Install the **Shower Head [14]** with washer and secure.
- Loose the locking handle by turning it anti-clockwise. Then adjust the height of **Shower Head [14]** to about **12.6"[320mm]** above the head to get the best shower experience.
- Hold the shower arm still and turn the locking handle clockwise to secure the shower arm.



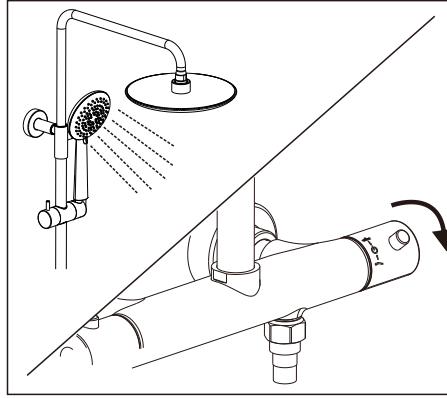
STEP 10:

- Install and secure the **Hand Shower [13]** and **Shower Hose [12]** to the faucet as the figure shows and secure.
Note:
Make sure the washer and the flow restrictor are in position.
- Turn on hot and cold water supplies and check all connections at arrows for leaks. Retighten if necessary, but do not overtighten.
- Turn the **Diverter Handle [05]** to **Hand Shower [13]** and **Shower Head [14]** fuction to check for leakage and flow effect. If the shower arm moves upward when the shower head flows, turn off the **Faucet [01]** and tighten the locking handle to secure.

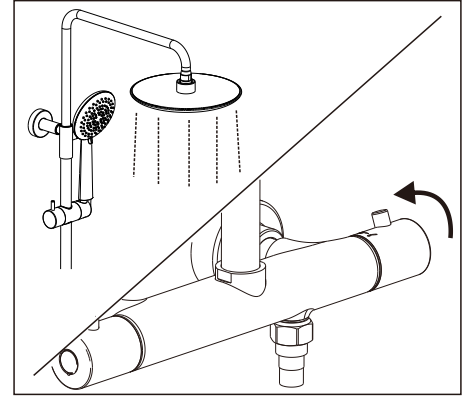
OPERATION



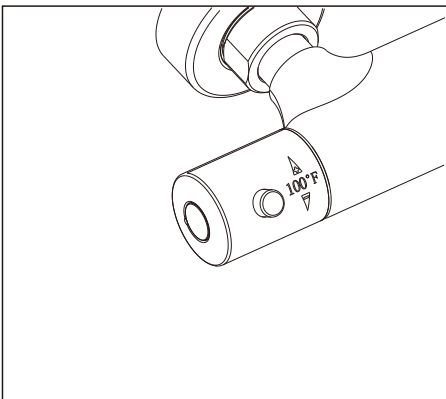
Diverter Handle [05] in close position.



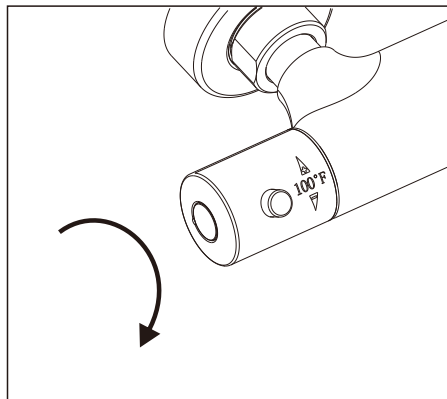
Turn the **Diverter Handle [05]** anti-clockwise for **Hand Shower [13]** flow.



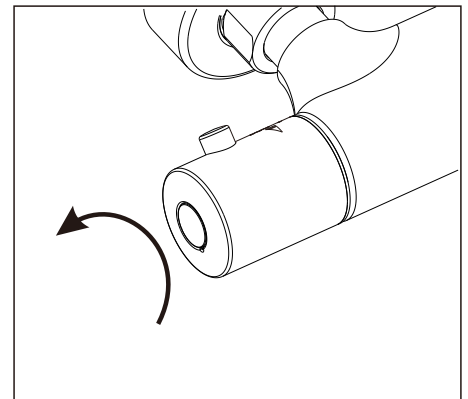
Turn the **Diverter Handle [05]** clockwise for **Shower Head [14]** flow.



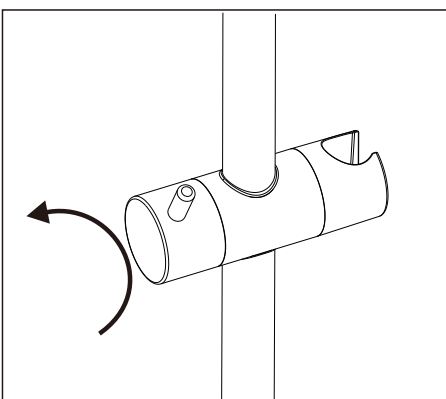
Flow temperature is set in 100°F with the button of **Temp.Control Handle [03]** pointing 100°F.



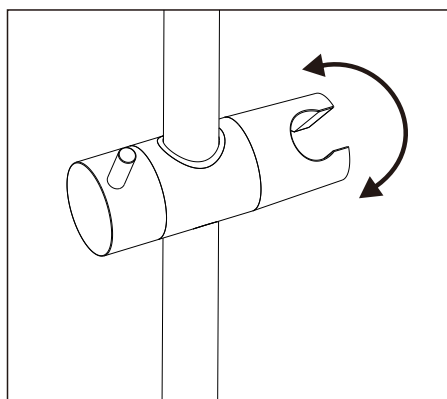
Turn the **Temp. control Handle [03]** clockwise will lower the temperature.



You can raise the temperature by pressing the button and turning the **Temp.Control handle [03]** anti-clockwise.



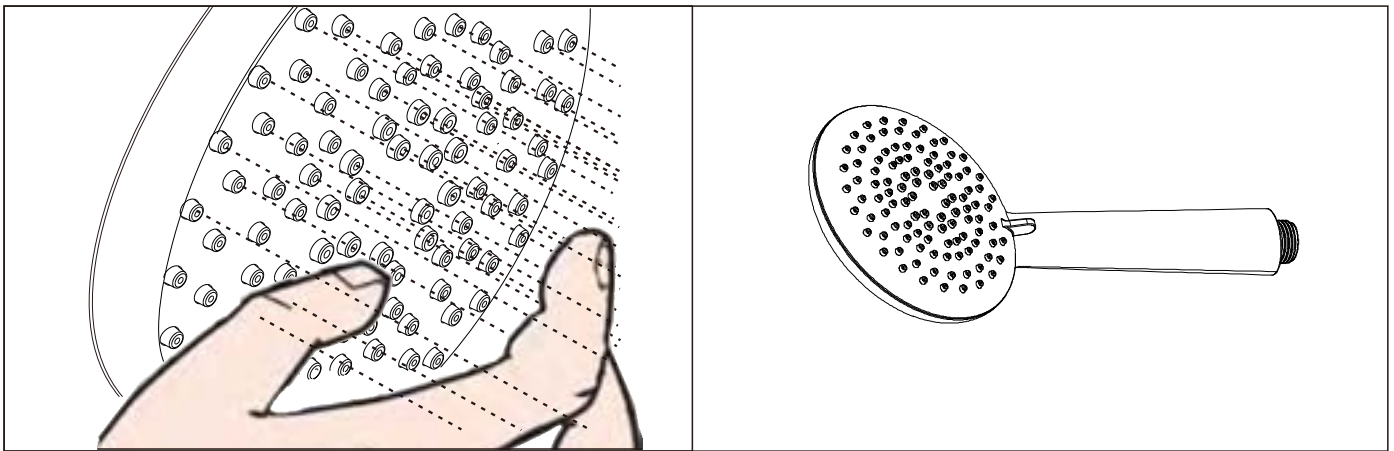
You can move the **Bracket [10]** by loosening the handle of it.



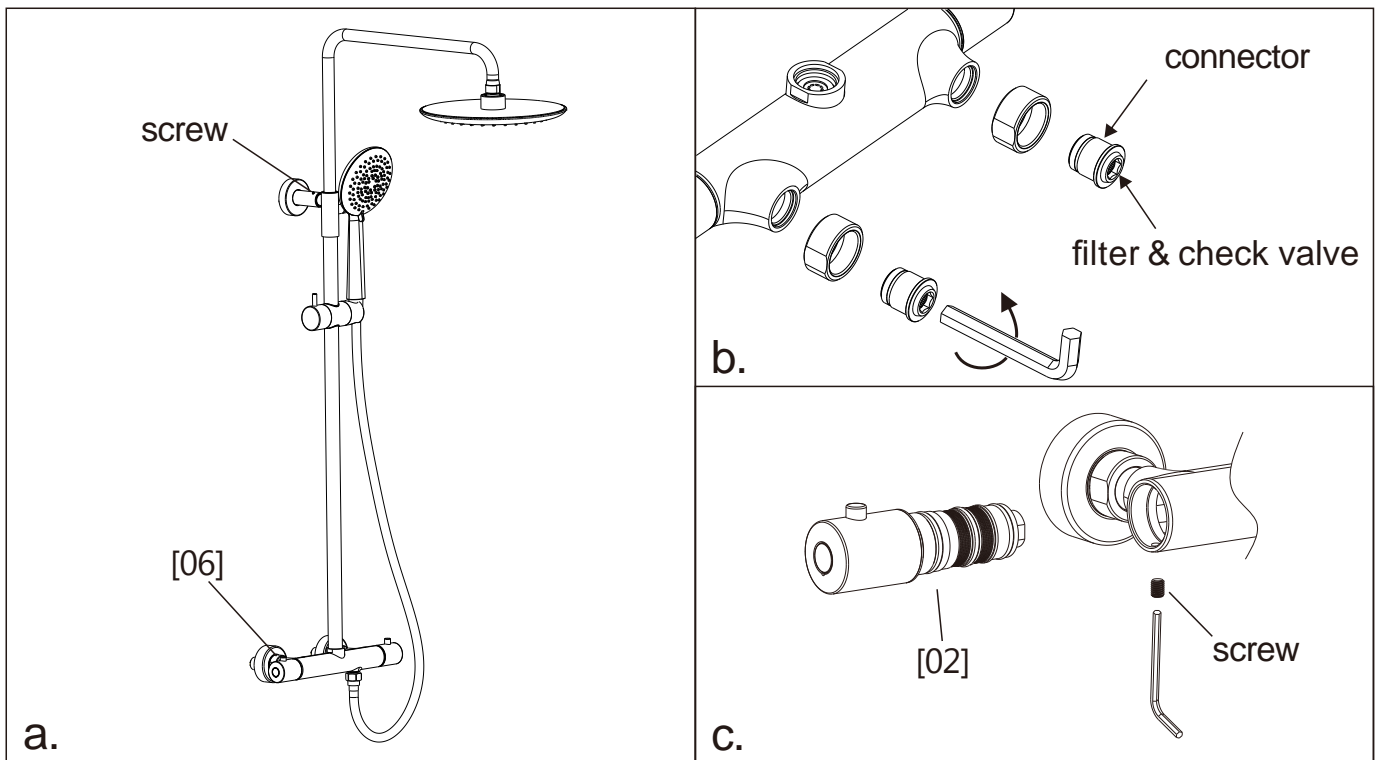
The holder of **Bracket [10]** can be turned by any-clockwise or clockwise to adjust the position of **Hand shower [13]**.

CLEANING & MAINTENANCE

To preserve the finish on the metallic parts of your ANZZI faucet, apply non-abrasive wax, such as car wax. Any cleaners should be rinsed off immediately.



When there is scale build up on the nozzle of showers, you can turn on the showers and simply rub over the spray nozzles to remove lime scale.



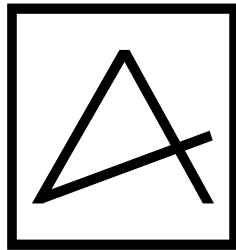
- If the water flow lower than normal, please remove the faucet by loosening the screws of the **Mounting Kit [11]** and the **Nuts [06]**.
- Clean the filters in the connectors and inspect the check valves. Replace the check valves if necessary.
- Remove the **Thermostatic Cartridge [02]** by loosening the screw under the faucet. Rinse the cartridge with clean flowing water.
- Install the cartridge and connectors again. Then install the faucet again and secure it.

Caution:

Check all connections for leaks. Retighten if necessary, but do not overtighten.

TROUBLE SHOOTING

SYMPTOMS	POSSIBLE CAUSES	RECOMMENDED ACTIONS
Insufficient water	Supply pressure inadequate	Check water pressure
	Inlet or Cartridge filters dirty	Clean the filters
Crossflow: hot water forced into cold water supply or vice versa when mixture is closed	Check valves dirty or worn	Clean check valves, replace if necessary
Output temperature does not correspond with temperature marked on handle	Water heater temperature set too low	Increase the hot water temperature
Temperature regulation not possible	Thermostatic cartridge dirty or worn	Replace the thermostatic cartridge
	(new installation) Hot and cold supplies are reversed	Correct the plumbing
Safety stop button not operating	Button and/or spring are dirty or worn	Clean spring and button, replace if necessary
Handle hard to turn	Cartridge dirty or worn	Replace cartridge
Shower or spout dripping	Volume control cartridge dirty or worn	Clean or replace volume control cartridge



ANZZI®