

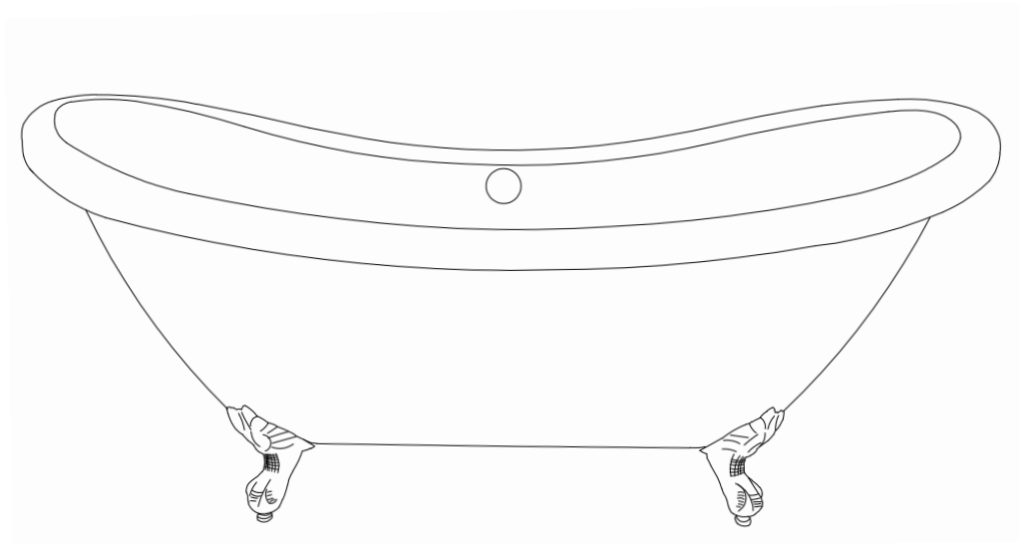
ANZZI®

Item: FT-AZ132**

FREESTANDING BATHUB WITH METAL FEET

INSTALL & OPERATION MANUAL

V1.0
06/03/2022



**DON'T WAIT!
REGISTER NOW!**

Register your product within 30 days to ensure your bathtub is recognized as an official purchase and is eligible for warranty coverage.

Mail in the completed registry card (Pg. 2) or register online at www.ANZZI.com/register.



PRODUCT REGISTRATION*

IMPORTANT: YOUR WARRANTY WILL NOT BE RECOGNIZED UNLESS THIS CARD IS FULLY COMPLETED AND RETURNED OR ONLINE REGISTRATION IS COMPLETED.

To ensure that your warranty is registered and confirmed please do one of the following:

1. **Register online at www.ANZZI.com/register.** You will be asked to fill out the same information you would in the registration card. Registering online is fast, secure and ensures we receive your information.

2. **Complete, cut-out and mail the registration card below.** By returning this registration card we confirm the date of purchase for your new product. This confirmation will allow us to process any warranty claims.

Mail the card to: 5701 NW 35 Avenue, Miami, FL 33142



Product Registration Card

Name Address

City State..... Zip.....

Phone Email

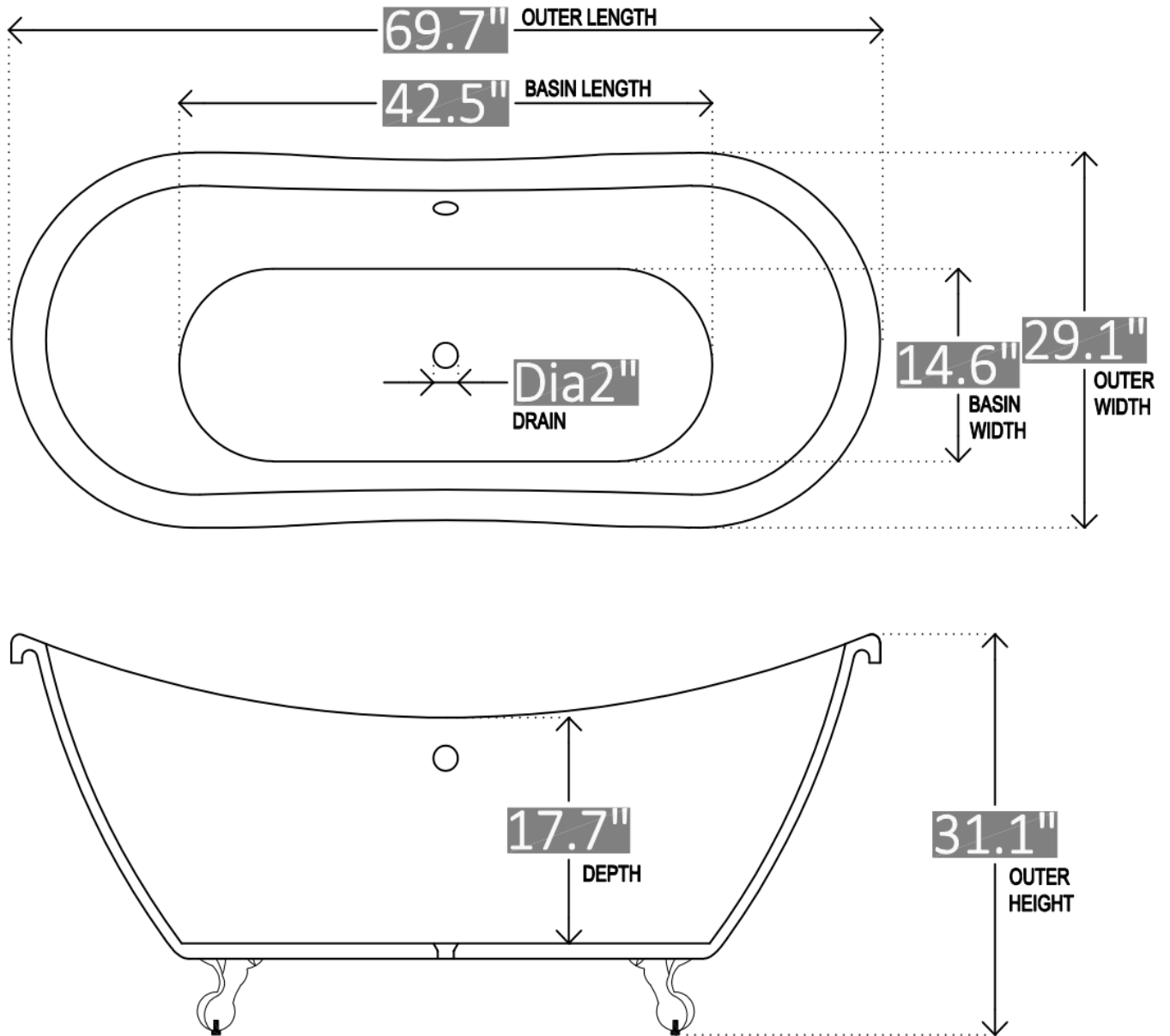
Date of Purchase..... **Order or Purchase #**..... **SKU or Model #**.....

Installer's Name Phone

I have read the Owner's Manual carefully and understand and agree that any installation, operation or maintenance of the bathtub must be done strictly in accordance with instructions and guidelines contained in the owner's manual and installation guide.

Signature _____ Date _____

ANZZI®





SAVE THIS MANUAL!

READ THESE INSTRUCTIONS COMPLETELY BEFORE INSTALLING THE PRODUCTS. FAILURE TO DO SO COULD RESULT IN AN IMPROPER INSTALLATION AND COULD VOID THE WARRANTY.

RESPONSIBILITY OF THE INSTALLER!

THE INSTALLER MUST INSPECT AND WATER TEST THE PRODUCT PRIOR TO INSTALLATION TO ENSURE THE UNIT IS FREE OF DEFECT OR DAMAGE. IN THE EVENT OF A PROBLEM, THE UNIT MUST NOT BE INSTALLED. IF THE CRATE OR THE PRODUCT HAS BEEN DAMAGED DURING SHIPPING, PLEASE CALL US IMMEDIATELY.

THIS PRODUCT MUST BE INSTALLED BY A LICENSED/CERTIFIED CONTRACTOR!

LICENSED PLUMBERS AND ELECTRICIANS SHOULD BE EMPLOYED TO INSURE PROPER INSTALLATION. INSTALLERS ASSUME ALL LIABILITY FOR THE CORRECT INSTALLATION PROCEDURES. ONLY ACCESSORIES AUTHORIZED BY THE MANUFACTURER SHOULD BE USED WITH THIS PRODUCT.

REPORT DAMAGES RIGHT AWAY! REPORT ANY DAMAGES TO THE BATHTUB WITHIN 5 BUSINESS DAYS. ANY DAMAGES DONE BEYOND THAT WILL BE ASSUMED TO HAVE HAPPENED DURING AND AFTER THE INSTALLATION.

TEST THE TUB BEFORE INSTALLATION! BEFORE PERMANENTLY INSTALLING THE BATHTUB, YOUR INSTALLER MUST TEST THE BATH. USE THE PROVIDED FLEX DRAIN, PLUG IN THE TUB AND POWER IT ON. FILL TUB AND INSPECT FOR ANY LEAKING. ONLY IF THERE ARE NO SIGNS OF MALFUNCTION OR LEAKAGE SHOULD YOU PROCEED TO PERMANENTLY INSTALL THE UNIT.

LEVEL THE TUB AND AVOID LEAKAGE! CHECK THE AREA PRIOR TO INSTALLATION. USE THE ADJUSTABLE FEET TO ENSURE THE BATHTUB IS PERFECTLY LEVEL. IT IS ESSENTIAL THAT ALL THE FEET ARE TOUCHING THE FLOOR/SURFACE. AN UNLEVELED TUB WILL RESULT IN LEAKAGE.

SAFETY INSTRUCTIONS

READ THESE INSTRUCTIONS COMPLETELY BEFORE INSTALLING THE PRODUCTS. FAILURE TO DO SO COULD RESULT IN AN IMPROPER INSTALLATION AND COULD VOID THE WARRANTY.

IMPORTANT SAFETY INSTRUCTIONS. INSTRUCTIONS IMPORTANTES RELATIVES A LA SECURITE.

READ AND FOLLOW ALL INSTRUCTIONS. LIRE ET SUIVRE TOUTES LES INSTRUCTIONS.

SAVE THESE INSTRUCTIONS. CONSERVER CES INSTRUCTIONS.



IMPORTANT

- A) A freestanding bathtub is not designed to support weight on its rim. Therefore, do not sit or stand on the bathtub's rim.
- B) Please retain this manual after installation for future reference and maintenance.
- C) This is a two-person job.

RECEIVE YOUR TUB

Unpack and check for damage.

Unpack the bathtub and inspect for damage or missing parts right away. Do not wait to do this. Damage reported after installation will not be covered by warranty. Repack the bath and keep it safely stored until installation begins.

Protect your tub.


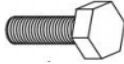







Before commencing installation, ensure the tub is wholly protected and leave the covering in place until the bathroom is complete. The warranty does not cover scratches and damage incurred during installation.

TESTING THE TUB

1. Place the tub on a completely flat surface where the water may drain it after testing.
2. Close the drain and fill the tub about halfway.
3. All the water to stand for 30 minutes. Then inspect the drain and plumbing for any leaks.

TEST THE BATHTUB WHILE YOU HAVE ACCESS TO THE BOTTOM AND BEFORE PERMANENTLY INSTALLED.

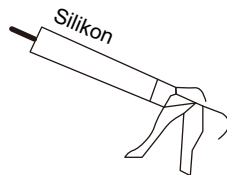
SPARE PARTS LIST

No.	Part Name		Qty (pcs)	Pic
A	Metal Bar		4	
B	Hardware Pack	Screw	4	
C		Nut	8 pcs pre-assembled on the tub; 4 pcs pre-assembled on the feet	
D		Washer	4 (8 pcs pre-assembled on tub)	
E		Fastener Washer	4	
F	Claw Feet		4	
G	Overflow Plate		1	
H	Pop-up Drain		1	
I	Plastic Drain Hose		1	

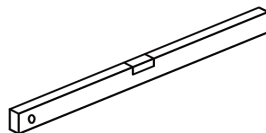
TOOLS REQUIRED



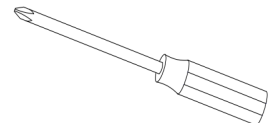
ADJUSTABLE
WRENCH



SILICONE GUN



LEVELER RULER

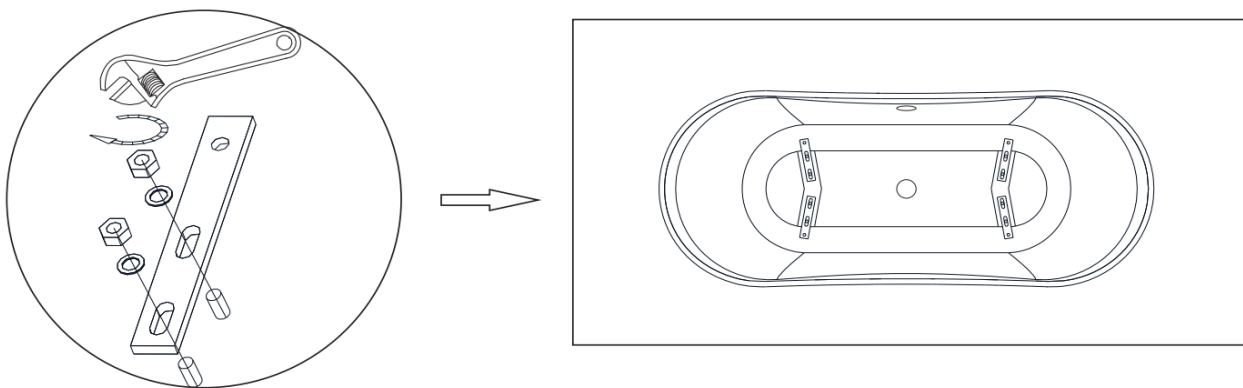


SCREWDRIVER

A) FEET INSTALLATION

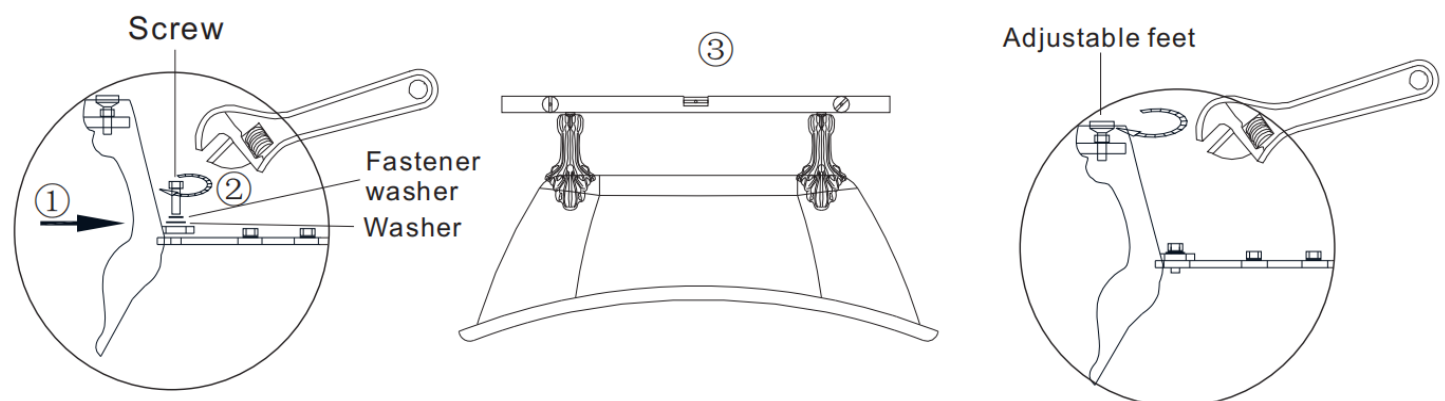
Step 1

1. Lay a towel, blanket, or cardboard over the floor.
2. Lay the bathtub on the covering to protect it from scratches.
3. Take off the plastic covers of screws and unscrew nuts and washers from the tub (these are pre-assembled on the tub).
4. Follow the diagram below and install the crossbar onto the bottom of your bathtub. Do not tighten yet as adjustments may be necessary later.



Step 2

1. See Picture . Position the feet to the corner of the tub, and make sure the feet fit snugly against the tub's shell (there is no significant gap between tub and feet, the bar needs to be adjusted to achieve a good fit).
2. See Picture . Once the feet have been adjusted to a good position, tighten the screws on the crossbar. Then use the screw to set the feet on the bar. Make sure the feet are firmly secured to prevent movement.
3. Check if the ground is flat or not by using a lever. If the floor is not flat, use the adjustable wrench to unscrew the nut on the feet, adjust the feet to a proper height, and then tighten the nut. See Picture .



B) OVERFLOW PLATE INSTALLATION

Note: The tub is pre-built with internal overflow.

Installation steps:

1. Insert the metal bar [Part 1] into the overflow hole. See Figures 1 and 2.
2. Thread the screw through the metal bar and the overflow plate behind it. Tighten the screw. See Figures 3 and 4.
3. Install the overflow cover onto the bar and lock it in. See Figures 5 and 6.

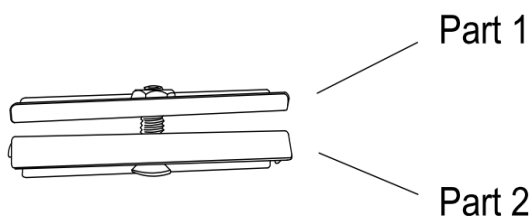


FIGURE 1

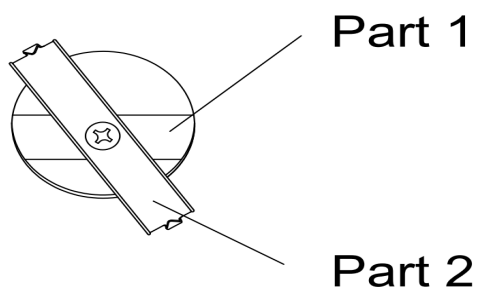


FIGURE 2

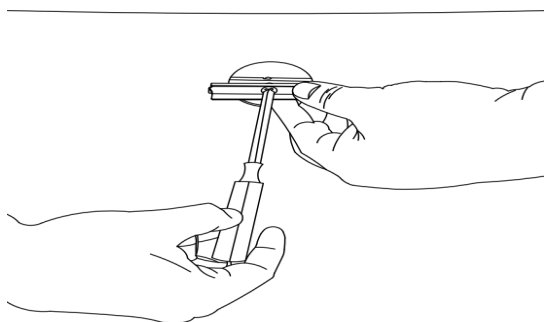


FIGURE 3

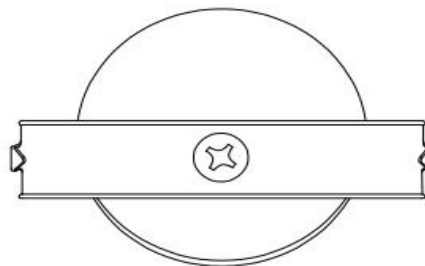


FIGURE 4

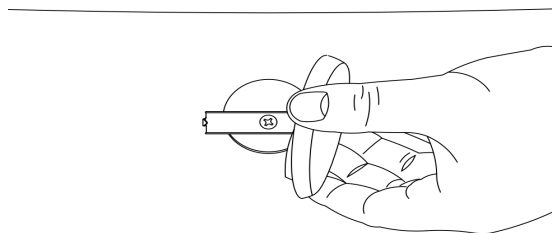


FIGURE 5

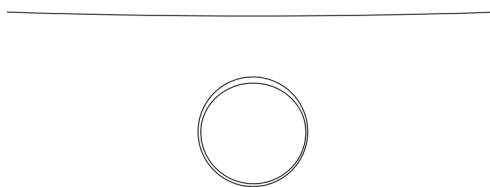
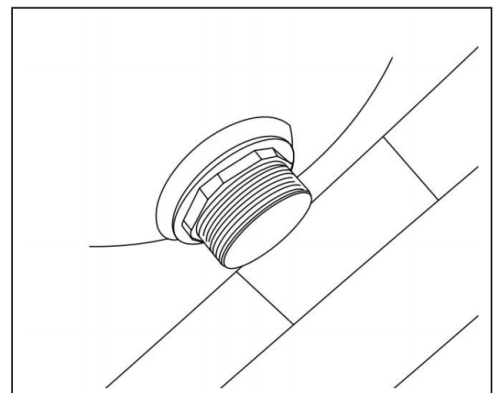
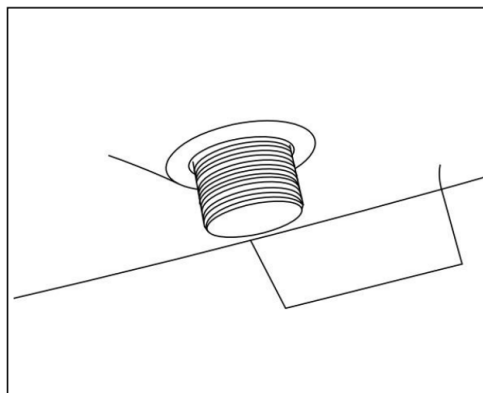
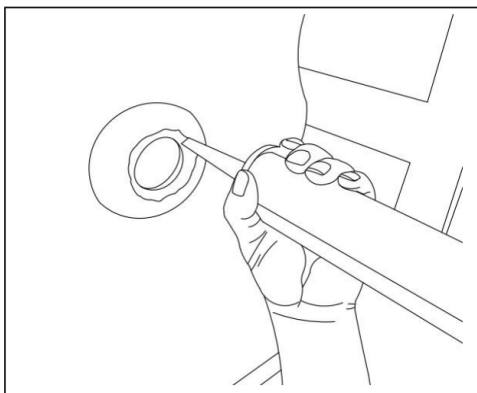
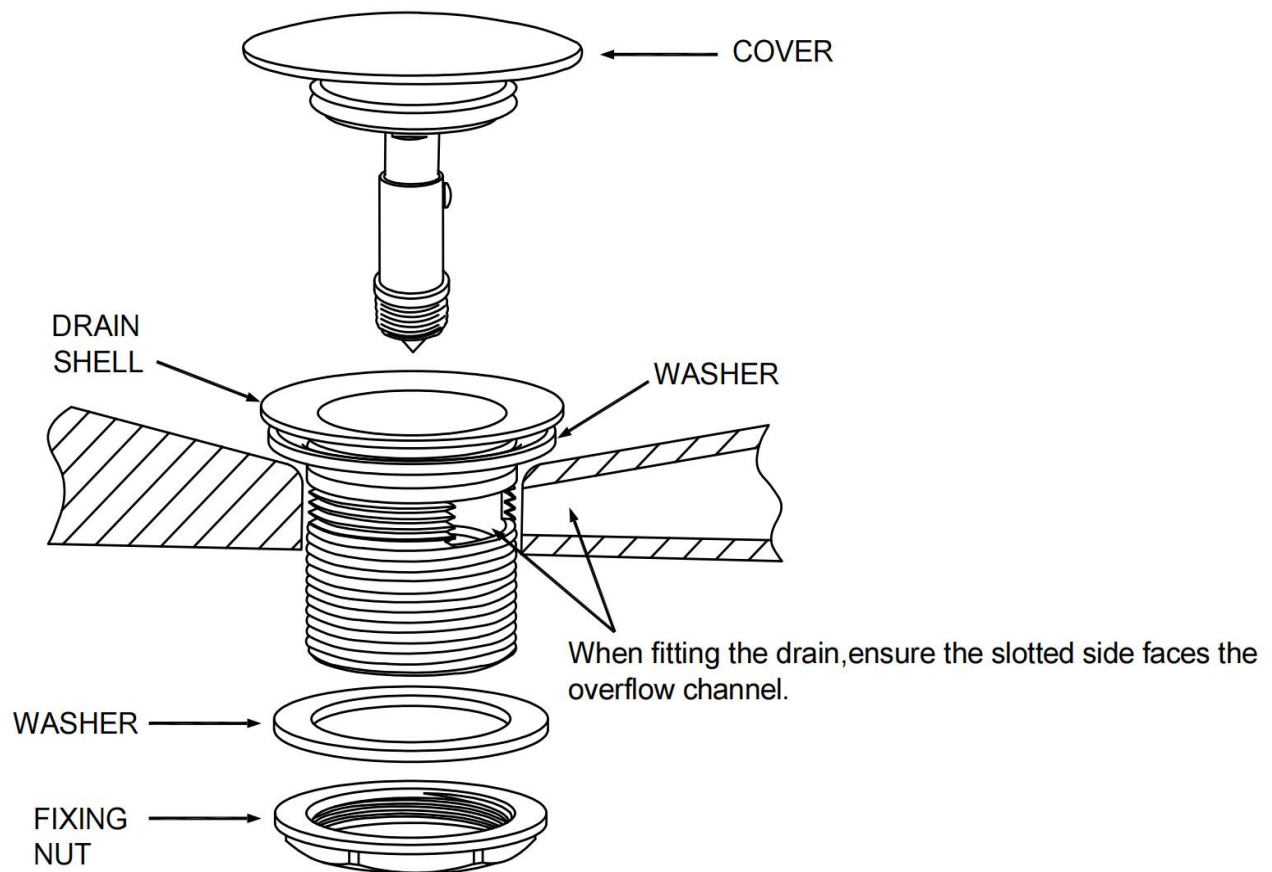


FIGURE 6

C) POP UP DRAIN & DRAIN HOSE INSTALLATION

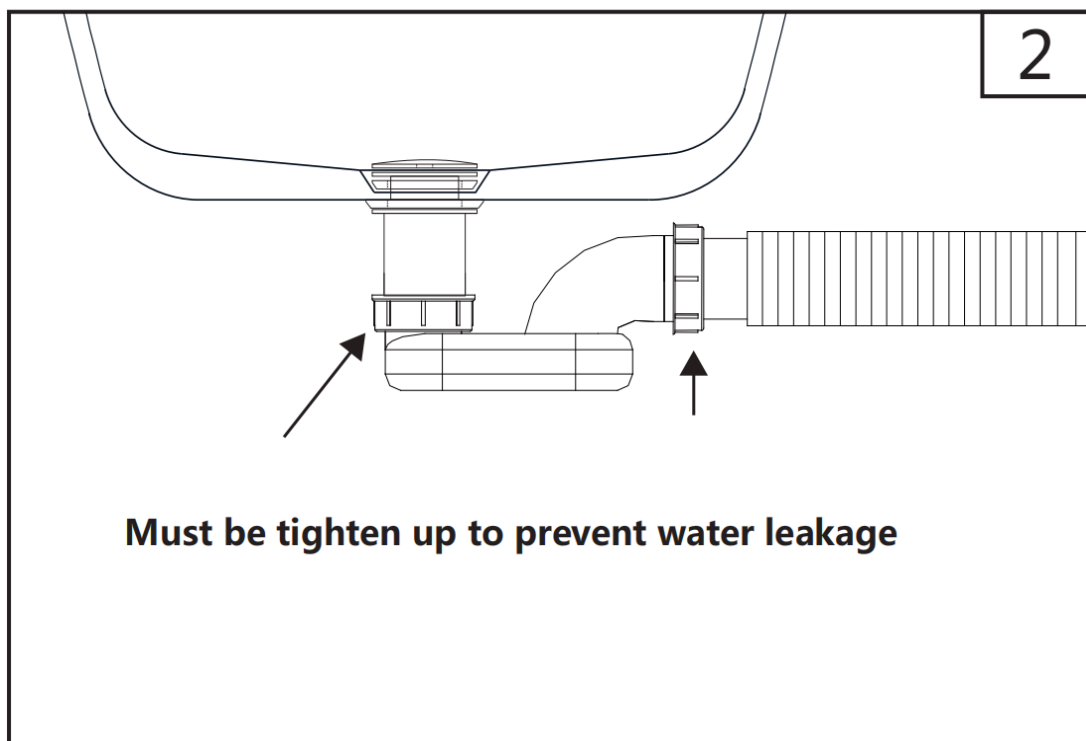
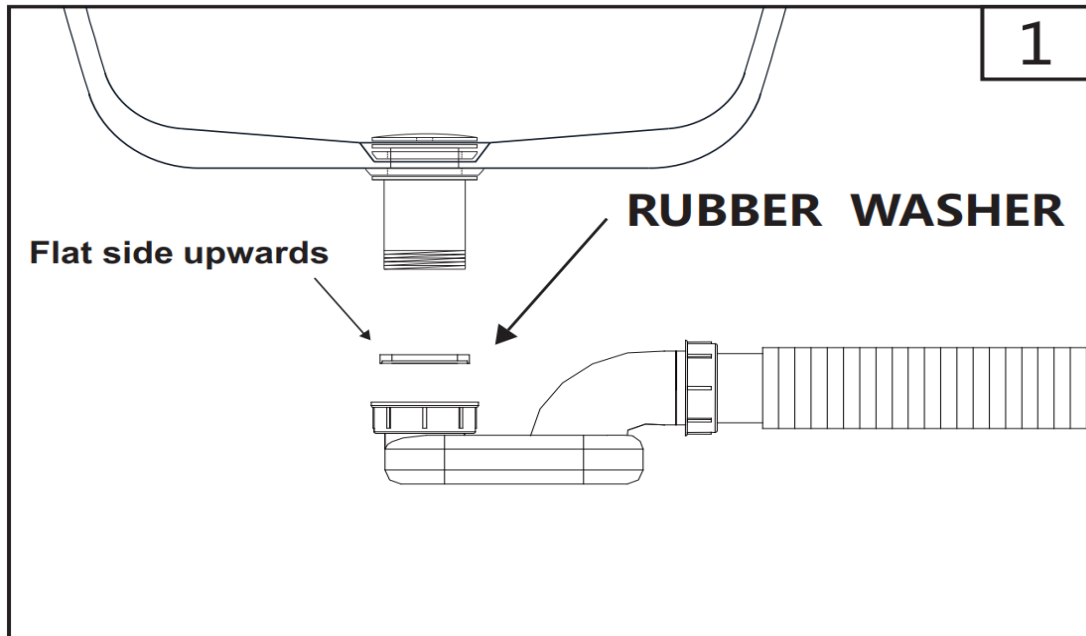


Drain Installation Notes:

1. Apply silicone around the drain after performing a successful water test to ensure no leakage.
2. Do NOT over-tighten the drain as this could damage the tub.

Install the drain hose

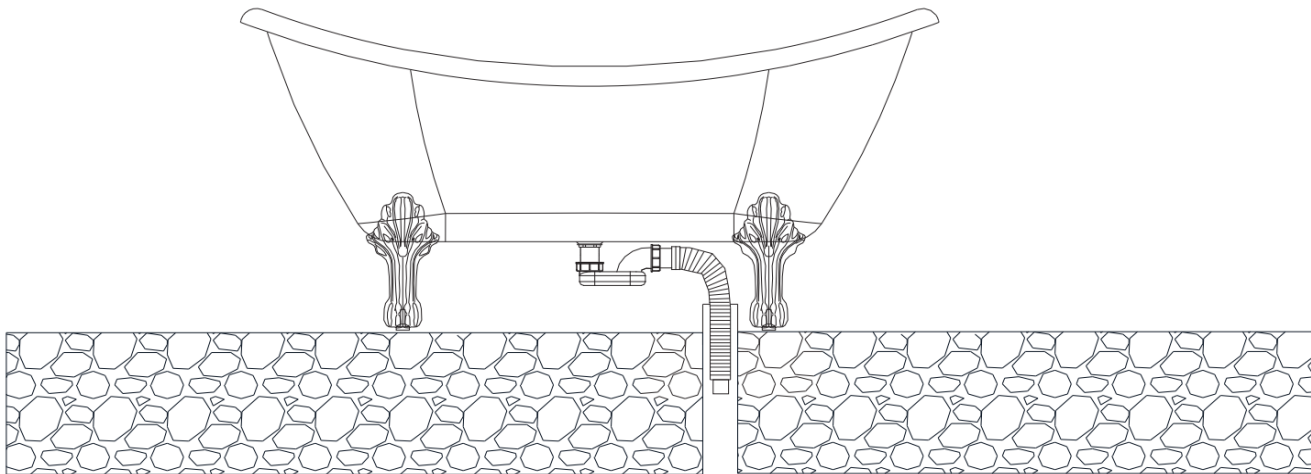
See figures 1 and 2. Next, place the waterproof rubber washer over the drain hose with the flat side facing upwards. Screw the drain hose over the drain and tighten.





D) POSITION THE TUB

Before placing the tub, make sure the ground is completely flat. Next, place the tub over the intended installation area. Lastly, insert the drain through the drain hole in the floor. See the Figure below.

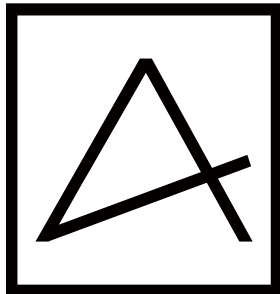


** All bathtubs are 100% water tested at the factory and certified to be free of leaks. Transportation and mishandling may cause leaks. It is necessary to test the bathtub while there is access to all sides of the bathtub.*

ANZZI®

CLEANING AND MAINTENANCE

1. To preserve the polished surface, after using your tub, clean with soft cloth and warm soapy water to wash away any body oils or soap residue that forms a ring tide mark.
2. Do not use powders, pastes, crème cleaners, thinners, window cleaning sprays or dry cleaning liquid, etc to clean the tub.
3. For overflow plate and pop up drain, we do NOT recommend you use any household cleaners to clean the product. Aggressive chemicals can damage the finish and function of this product. The product should only be cleaned with soapy water and rinsed with clean water and dried with a soft cloth.
4. When coloured essentials oils are used, first test that the colour won't stain your tub. Always add oils into a tub full of water. Never pour them into an empty tub.



ANZZI®