

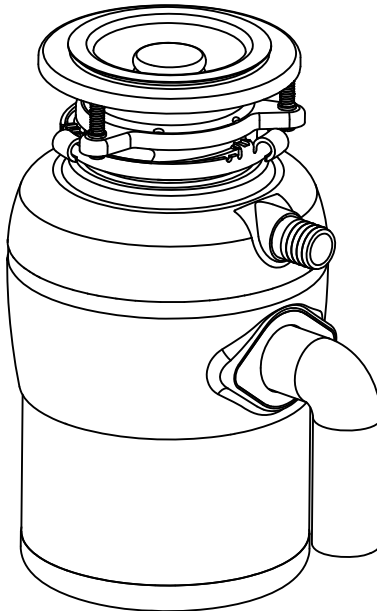
ANZZI®

ITEM: GD-AZ212

GD-AZ234

ANZZI GARBAGE DISPOSAL  
INSTALL & OPERATION MANUAL

V1.0



# DON'T WAIT! REGISTER NOW!

Register your product within 90 days to ensure your product is recognized as an official purchase and is eligible for warranty coverage.

Mail in the completed registry card (Pg. 2) or register online at [www.swcorp.com/register](http://www.swcorp.com/register) .



## PRODUCT REGISTRATION\*

**IMPORTANT: YOUR WARRANTY WILL NOT BE RECOGNIZED UNLESS THIS CARD IS FULLY COMPLETED AND RETURNED OR ONLINE REGISTRATION IS COMPLETED.**

**To ensure that your warranty is registered and confirmed please do one of the following:**

1. Register online at [www.swcorp.com/register](http://www.swcorp.com/register). You will be asked to fill out the same information you would in the registration card. Registering online is fast, secure and ensures we receive your information.
2. Complete, cut-out and mail the registration card below. By returning this registration card we confirm the date of purchase for your new product. This confirmation will allow us to process any warranty claims.

**Mail the card to: 5701 NW 35 Avenue, Miami, FL 33142**



CUT ALONG  
DOTTED LINE.

### Product Registration Card

Name..... Address .....

City..... State..... Zip.....

Phone..... Email.....

Date of Purchase .....

Installer's Name ..... Phone .....

I have read the Owner's Manual carefully and understand and agree that any installation, operation or maintenance of the product must be done strictly in accordance with instructions and guidelines contained in the owner's manual and installation guide.

Signature..... Date.....

**Need help? For technical support call 305-614-4070 or visit us at [www.ANZZI.com](http://www.ANZZI.com)**

## IMPORTANT SAFETY INSTRUCTIONS. ICONSIGNES DE SÉCURITÉ IMPORTANTES.

Please carefully read the safety precautions before installation. This is important and must be observed.



### DANGER

Only connect to a Ground-Fault Circuit-Interrupter(GFCI)protected grounded socket.

Do not remove the ground pin or use a ground adapter.

Otherwise, electric shock will be caused by fault or short circuit.

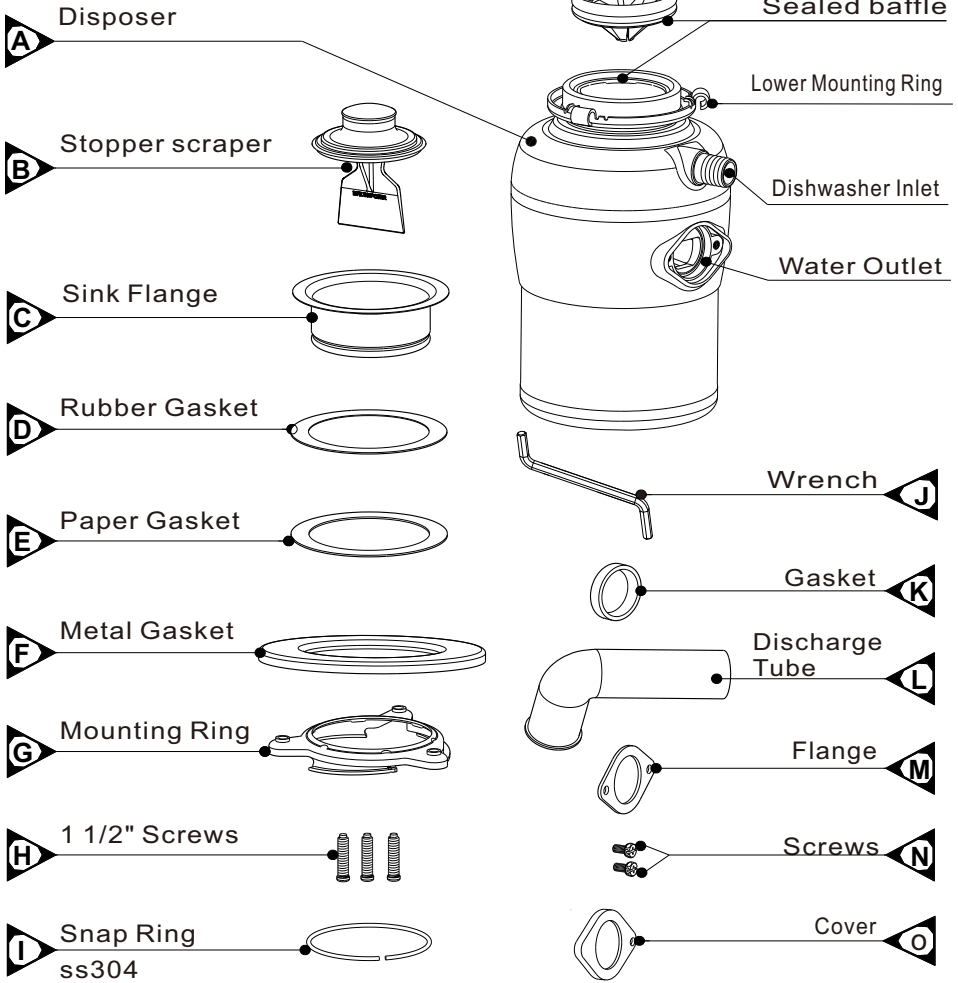


### WARNING

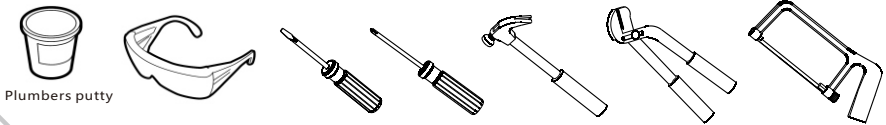
- Disconnect power before installing or servicing disposer.
- Check with a qualified electrician or serviceman if you are in doubt as to whether the appliance is properly grounded.
- All wiring must comply with local electrical codes.
- Do not reconnect electrical current at main service panel until proper grounds are installed.
- Do not position your head or body under disposer; unit could fall during removal or installation.
- Use long-handled tongs or pliers to remove objects from a waste disposer. Do not put fingers or hands into a waste disposer.
- To reduce the risk of injury, close supervision is required when an appliance is used near children.
- Do not put the following into a disposer: clam or oyster shells, caustic drain cleaners or similar products, glass, china, or plastic, metal (such as bottle caps, steel shot, tin cans, or utensils), hot grease or other hot liquids, paints, solvents, household cleaners and chemicals, automotive fluids, plastic wrap.
- Regularly inspect disposer and plumbing fittings for water leaks, as water leaks can cause property damage. Manufacturer cannot be held responsible for property damage as a result of water leaks.
- To reduce the risk of injury and/or property damage, do not use the sink containing the disposer for purposes other than food preparation (such as baby bathing or washing hair).

**SAVE THESE INSTRUCTIONS,  
CONSERVEZ CES INSTRUCTIONS,**

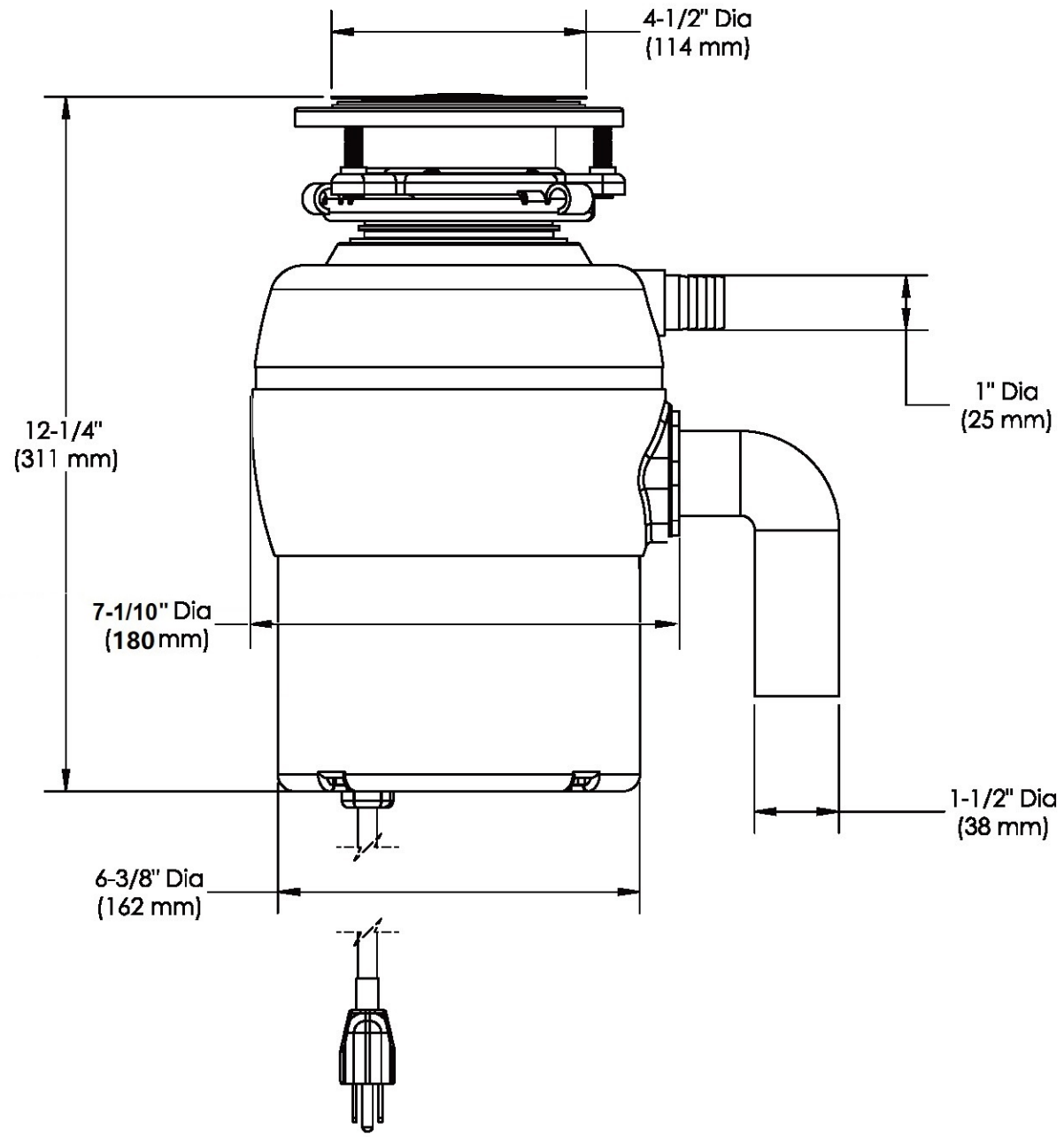
## Parts Included:



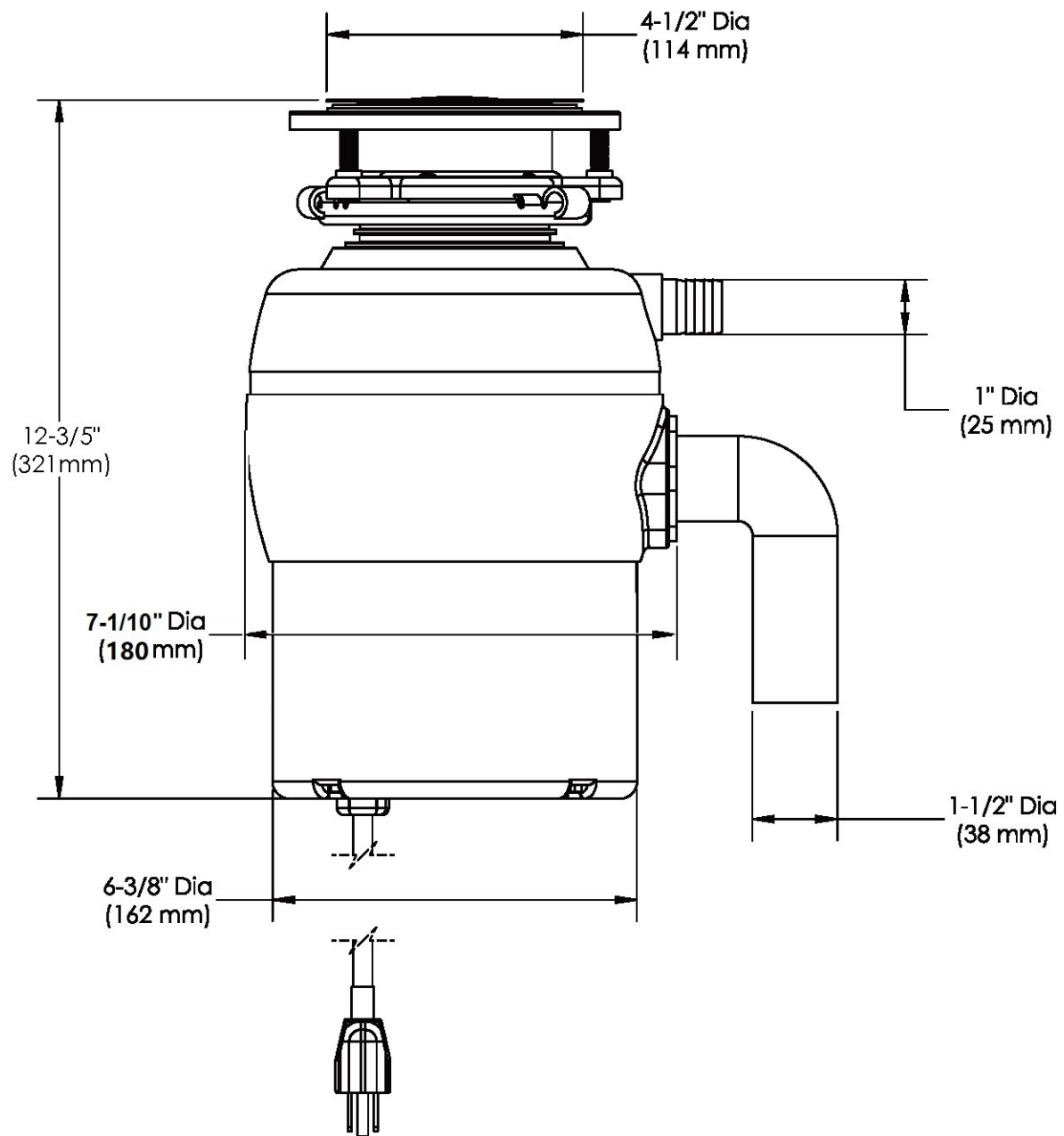
### Tools and Materials (not included)



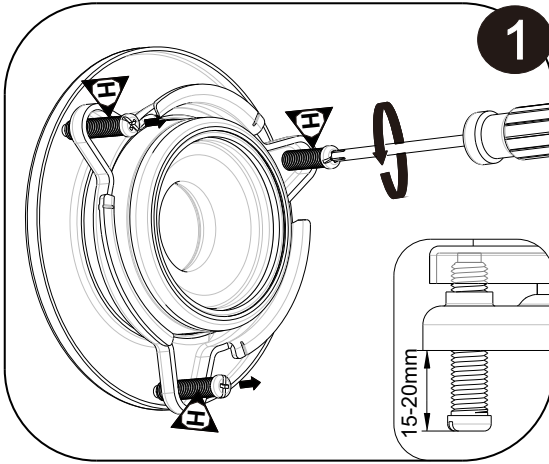
1/2HP



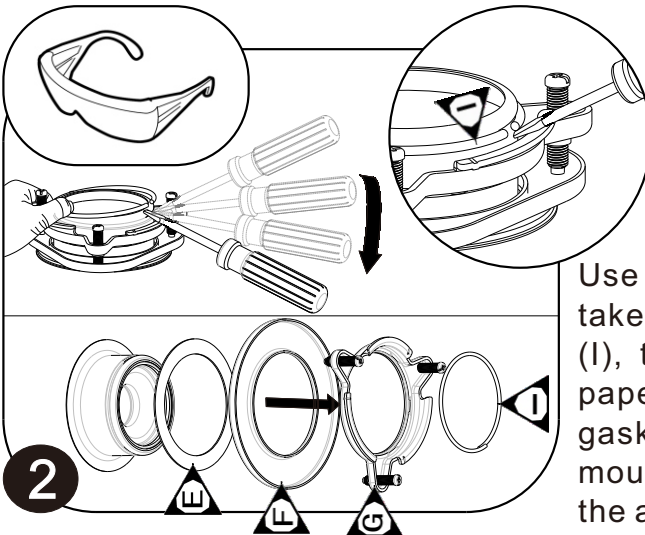
3/4HP



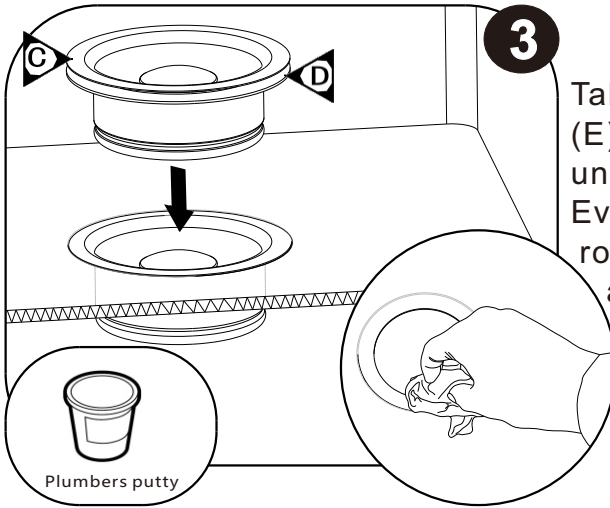
# INSTALLATION INSTRUCTIONS



1  
Loosen the three screws on the mounting assembly, get them out about 0.6 - 0.8 inch (15-20mm).

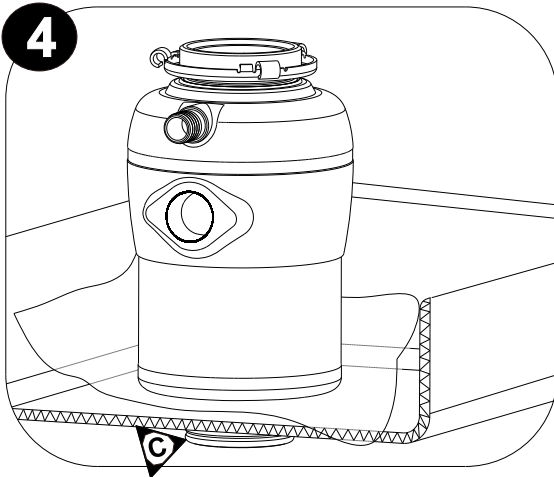


2  
Use a flat head screw to take out the snap ring (I), then separate the paper gasket (E), metal gasket (F), and mounting ring (G) from the assembly.



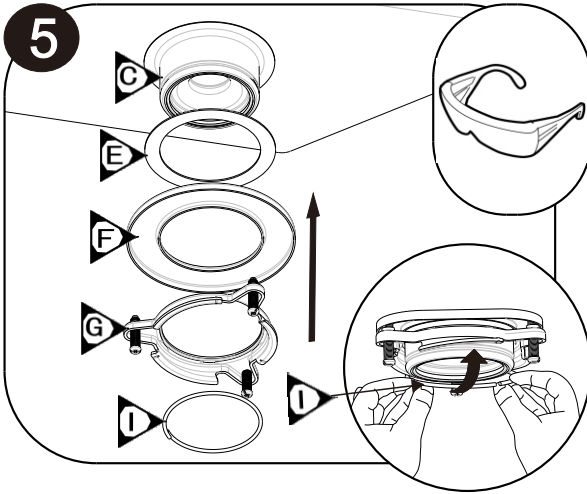
**3**

Take out the paper gasket (E), place the gasket (D) under the sink flange (C). Evenly apply 1/2" thick rope of plumber's putty around sink flange (C). Press it firmly onto the sink flange as shown. Remove excess putty.

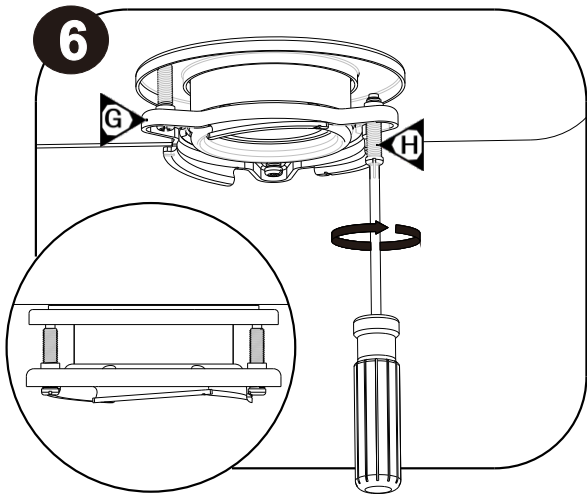


**4**

Place a weight, such as the disposer, on the sink flange (C) to hold it in place. Use a towel to avoid scratching sink.

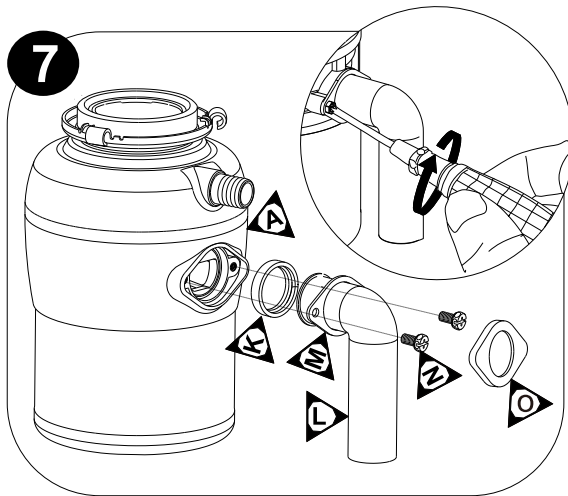


Insert paper gasket (E), metal gasket (F), and mounting ring (G). Press snap ring (I) firmly in place.



Tighten the three mounting screws (H) evenly and firmly against the flange.





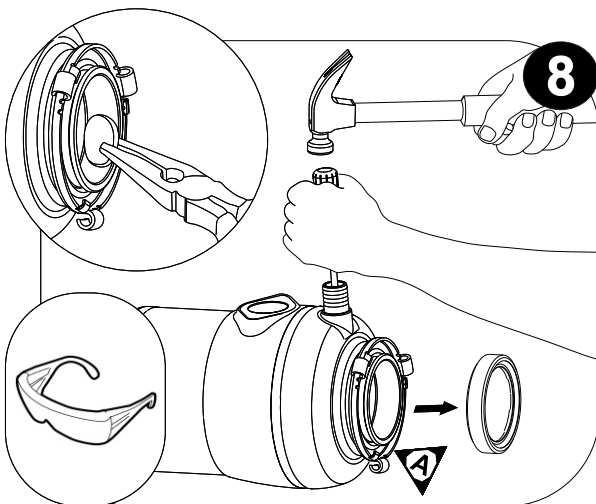
Slide flange (M) over discharge tube (L). Insert gasket (K) into discharge outlet. Secure flange and discharge tube to disposer with two screws (N). Slide cover (O) over discharge tube (L) and push into the Disposer. Although the supplied discharge tube is preferred, a straight discharge tube may be used.



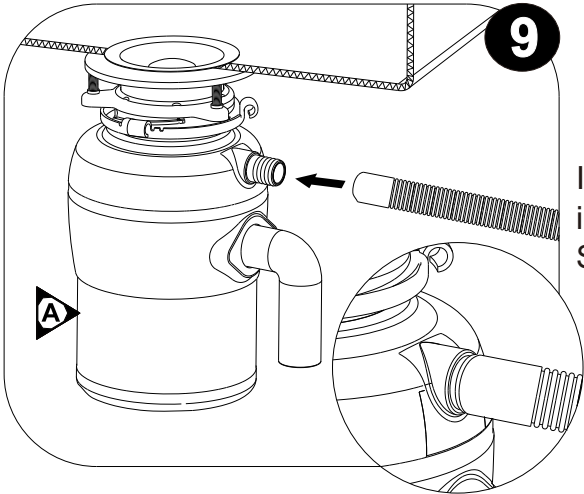
**Stop and read CAUTION:**  
**DISHWASHER CONNECTION ONLY.**

If you do not need to connect to the dishwasher,  
 Please skip steps 8, 9.

**Veillez arrêter et lire la mise en garde :**  
**CONNEXION AU LAVE-VAISSELLE UNIQUEMENT**  
 vous n'avez pas besoin d'attacher le lave-vaisselle,  
 Veuillez sauter les étapes 8, 9.



**8** NOTICE: Drain plug cannot be replaced once it is knocked out. Turn disposer (A) onto side and knock out drain plug with screwdriver. Remove plug from inside of disposer with pliers.

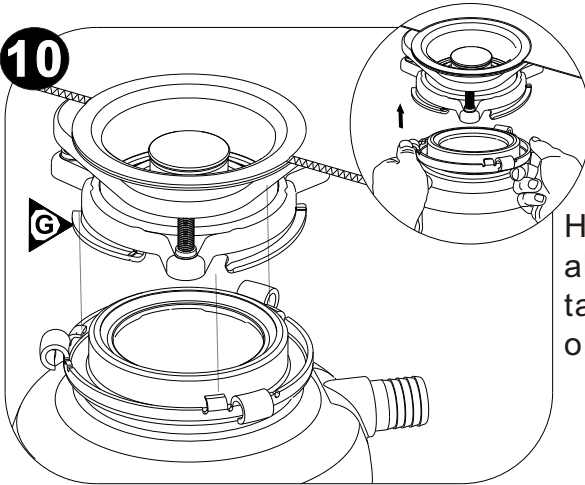


Install dishwasher tube into dishwasher Inlet. Secure with hose clamp.

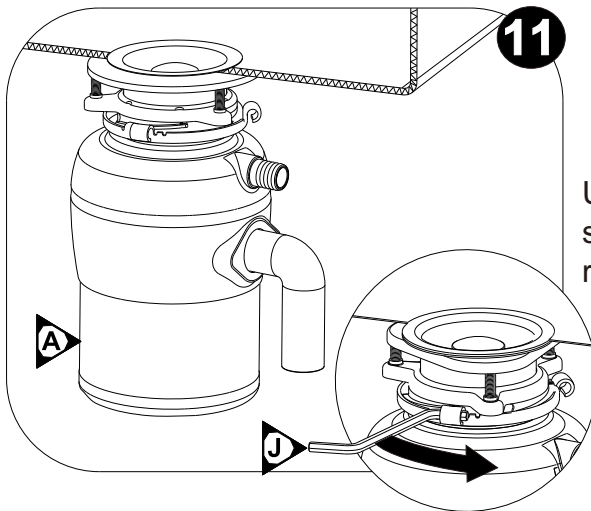


**WARNING** Falling Hazard  
**ATTENTION** Risque de chute

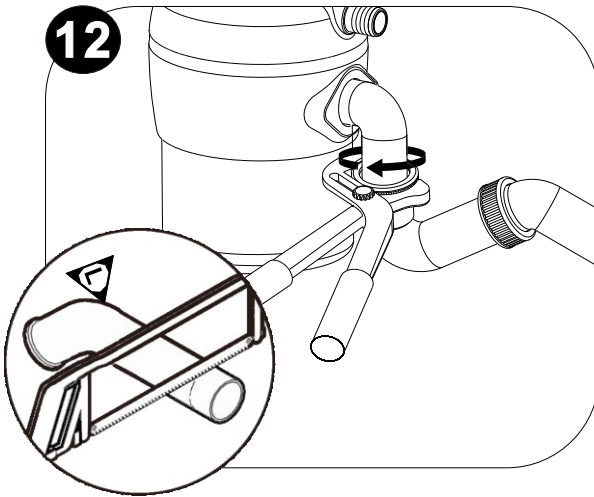
Do not position your head or body under disposer; unit could fall during removal or installation.



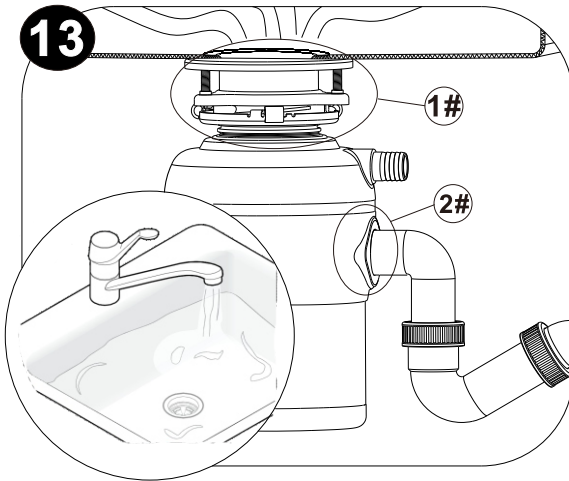
Hang disposer by aligning 3 mounting tabs with slide-up ramps on mounting ring.



Use the wrench (J) to secure the mounting ring tightly.

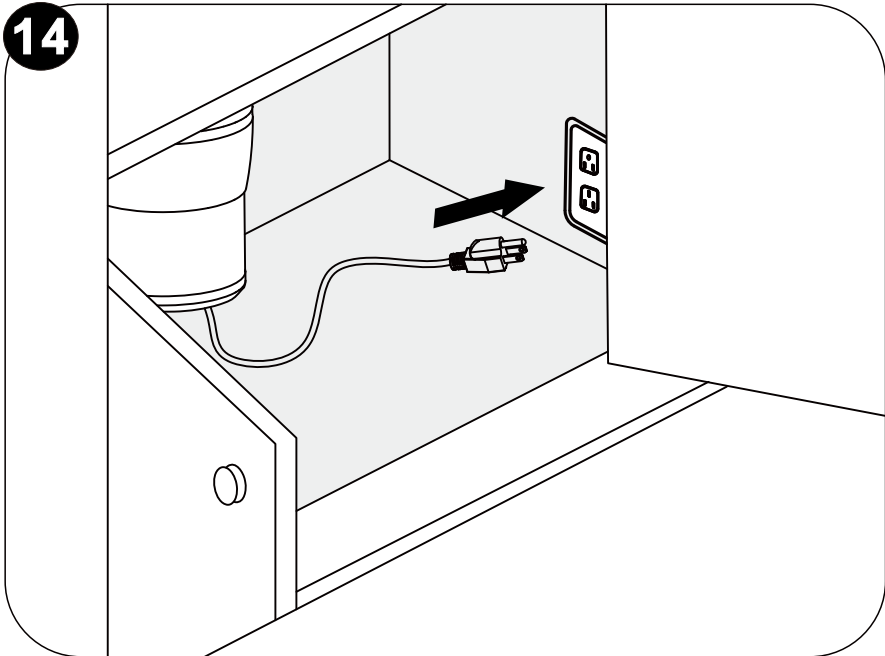


You may need to trim discharge tube to ensure proper fit. Make sure anti-vibration tailpipe mount is straight.



Test for leaks after Installation:  
Place a stopper onto the flange and fill the sink with 2/3 water, turn on the disposer and then unplug the stopper to release the water. Check for leaks on positions (#1) and (#2) as showed in the picture.

14



1. Connect the disposal cord to 110-120 volt, 60 Hz AC current only.
2. This waste disposal is equipped with a factory installed plug-in cord with a three prong grounding plug. If a 110-120 volt, 60 Hz AC grounding outlet is not available, have a proper outlet installed by a qualified electrician.
3. Outlet must be installed in accordance with local electrical codes. This waste disposal requires that a dedicated switch with a marked "Off" position. The switch shall be installed within sight of the sink opening or the disposal.
4. If the supply cord is damaged, it must be replaced by a cord assembly available through Customer Service.

## **!** Be careful

If you need to replace the power cord with yours, please read the following steps to detach it. Then install your cord by reversing steps. Please make sure your cord is American Standard SJT 16AWGX3C. Otherwise, please consult a professional electrician.



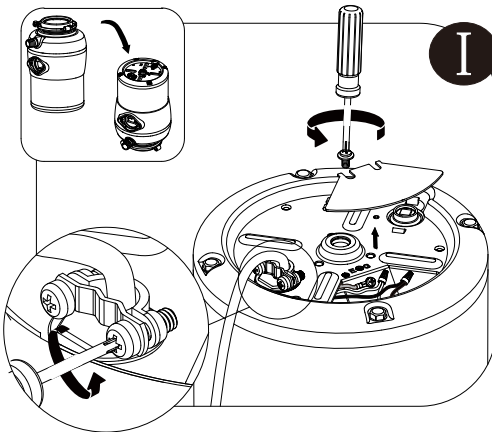
### **WARNING ATTENTION**

#### SHOCK HAZARD

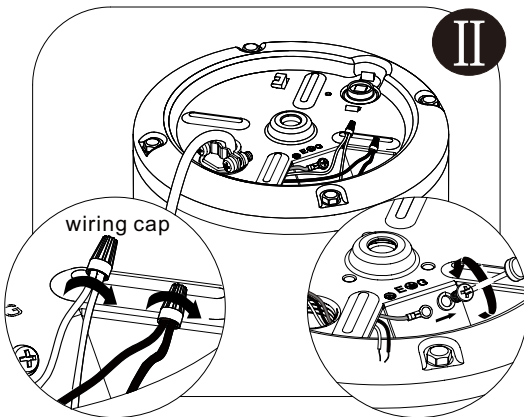
Turn off electric power at fuse box or circuit breaker.

#### RISQUE DE CHOC

Coupez l'alimentation électrique au niveau de la boîte à fusibles ou du disjoncteur.

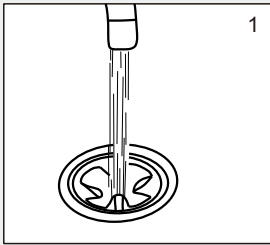


**I**  
Place the garbage disposal upside down. Remove the wiring cover, loosen the cable connector to make the power cord removable.

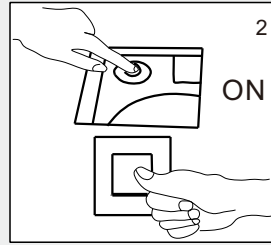


**II**  
Remove the wiring cap. Remove wiring screw. Unplug the power cord.

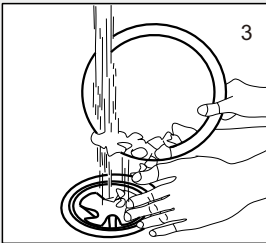
# Operating Instruction



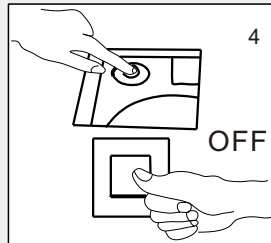
1. turn on the tap



2. turn on the air switch or remote switch



3. pour the kitchen garbage into the sink (please don't put the hard objects into the sink, such as clam, glasses, metal)



4. when you can only hear the sound of motors and water after you handled the kitchen garbage, please turn off the disposer firstly, then turn off the tap

## Operation Notes

- **This Disposer can deal with the following garbage:**

- Fruit Peel
- Leftovers
- Fishbone
- Eggshell
- Other small bone

- **Avoid inserting the following food waste:**

- Large pieces of bones, such as the pig's leg bones.
- Whole corn cob.
- Shells and carapace.
- Large fruit pits.

Inserting a large bone or whole corn cob into the disposer will cause a significant blockage. In addition, we strongly advise against inserting clamshells because the crushed shell pieces can easily clog the drainage tube.

- **If the following items accidentally fall into the crushing chamber:**

- Dishcloth, steel wool pad and sponge.
- Metal or wood tableware.
- Glass shards and other glassware.

**Follow these steps to remove:**

- Turn off the disposer power and unplug the power cord.
- Remove the objects with tongs.

If these objects get stuck and jam the disposer, insert the hex wrench into the center hole on the bottom of the disposer. Work the wrench back and forth to loosen the jam. Once you can make one complete revolution, reach the disposer with the tongs to remove the object. Detailed steps refer to the "User Manual" troubleshooting section.

**USER-MAINTENANCE INSTRUCTIONS**  
**INSTRUCTIONS D'ENTRETIEN POUR L'UTILISATEUR**  
**IMPORTANT SAFETY INSTRUCTIONS**  
**CONSIGNES DE SÉCURITÉ IMPORTANTES**

● **LOUD NOISES:**

There might be an accidental entry of a spoon, bottle cap or other object. To correct this, turn off electrical switch and water.

After disposer has stopped, remove object with long handled tongs.

● **UNIT STOPS WORKING:**

Unplug the power cord or turn the wall switch or breaker box switch to the "OFF" position. Insert one end of the hex wrench into the center hole on the bottom of the disposer (see Figure a), work the wrench back and forth until it runs one complete revolution. Reach into disposer with tongs and remove the object(s). Push the red reset button on disposer bottom (see Figure b).

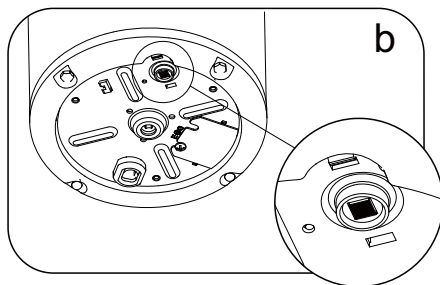
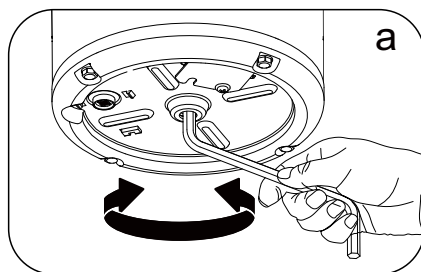
● **LEAKS: If the unit leaks at the top, it may be due to:**

1. Improper seating of sink flange (gasket centering, putty or tightening).
2. Support ring not tightened properly.
3. Defective or improperly installed cushion mount. If unit leaks at the waste elbow, leak may be due to improper tightening of elbow flange screws.

**SAVE THESE INSTRUCTIONS.**  
**CONSERVEZ CES INSTRUCTIONS.**

● **DO NOT ATTEMPT TO LUBRICATE YOUR DISPOSER!**

The motor is permanently lubricated. The disposer is self-cleaning and scours its internal parts with each use. NEVER put lye or chemical drain cleaners into the disposer, as they cause severe corrosion to metal parts. The resulting damage from such chemicals will void the warranty. Mineral deposits from your water can form on the stainless steel turntable, giving the appearance of rust. PLEASE NOTE the stainless steel turntables used will not corrode.





## ■ PRODUCT SPECIFICATIONS

SWCORP Model Number	GD-AZ212	GD-AZ234
Horsepower	1/2HP	3/4HP
Voltage/Frequency	120V/60HZ	120V/60HZ
Motor Type	AC Motor	AC Motor
RPM	1700r/min	1700r/min

### IMPORTANT SAFETY INSTRUCTIONS

The flexible cord of a portable household disposer shall:

- a) Enter the enclosure through a watertight fitting or be otherwise sealed in place; and
- b) Be provided with strain relief that is independent of the seal, and the strain relief means shall reduce the risk of flexing or movement of the seal.

1.1 The face of a receptacle shall:

- a) Be flush with, or project beyond, a nonconductive surrounding surface; or
- b) Project not less than 0.015 in (0.38 mm) beyond a conductive surrounding surface

1.2 The strain-relief means provided on the flexible cord of a disposer shall be tested as described in 1.3 During the test, the strain-relief means shall withstand for 1 min, without displacement, a direct pull of 35 lbf (156 N) applied to the cord. At the point of disconnection of the conductors, there shall not be movement of the conductors.

1.3 The connections within the disposer shall be disconnected. A 35-lb (15.9-kg) weight is to be suspended on the cord and supported by the disposer so that the strain-relief means is stressed from any angle that the construction of the appliance permits. **SAVE THESE INSTRUCTIONS**

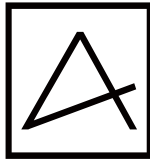
### MOVING AND STORAGE INSTRUCTIONS

**Transportation** In the course of transportation, the garbage disposals shall be protected from rain or moisture, shall avoid violent collision.

**Storage** The packaged garbage disposals shall be stored in a warehouse with a temperature below 40°C, relative humidity below 85%, ventilated and dry, non-corrosive gas.







ANZZI®