

ANZZI GLASS SHOWER DOOR  
INSTALL GUIDE

**Models:**

**SD-AZ10-01**

**SD-AZ8074-01**

Have questions? Call us at 1-844-44-ANZZI  
or email at [info@anzzi.com](mailto:info@anzzi.com).

# GETTING STARTED

***Notice: This assembly requires two people due to the weight of the glass doors. Professional installers are highly recommended.***

1. Carefully inspect all boxes and packages to make sure no damage occurred during shipping. If you find a unit has been damaged, is missing parts, or has finishing defects, contact our customer support department within 3 business days of the delivery date. Once all boxes and packages are inspected and opened, thoroughly read through this instruction manual. Take time to view the “Detailed Diagram of Tub Door Components” page and mark each piece as you ensure all necessary parts required for assembly are included in the package.

2. For installation in a newly constructed area, be sure to install all required drainage and plumbing before shower installation. Check local code requirements for plumbing installation as some areas require installation by a licensed and experienced plumber.

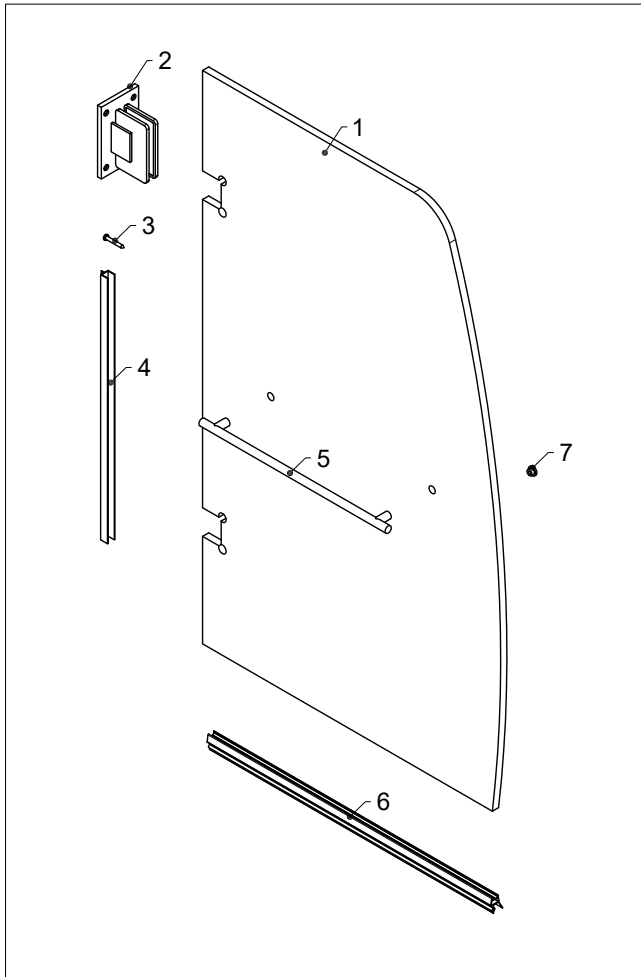
3. Note: Keep in mind that we are not responsible for code compliance standards for your project. Plumbing and building codes differ from one location to another, so it is crucial to review your local building codes before installation to help answer any questions you have about installation compliance standards.

4. Make sure the installation surface area is level, solid, and can support the entire weight of the unit and the walls are at right angles before beginning installation. Major problems may occur if the surface area isn't level and side wall angles are abnormal. It is recommended that all primary surfaces of the unit be protected during installation. Leveling adjustments and drilling may be necessary depending on the unit being installed.

**ATTENTION:** Use caution when unpacking and inspecting your unit. For easy part identification, refer to the detailed diagram in your manual and lay out each piece accordingly. Do NOT discard cartons and hardware bags until you have thoroughly checked for all parts. Contact us regarding any missing or damaged parts.

## PARTS LIST

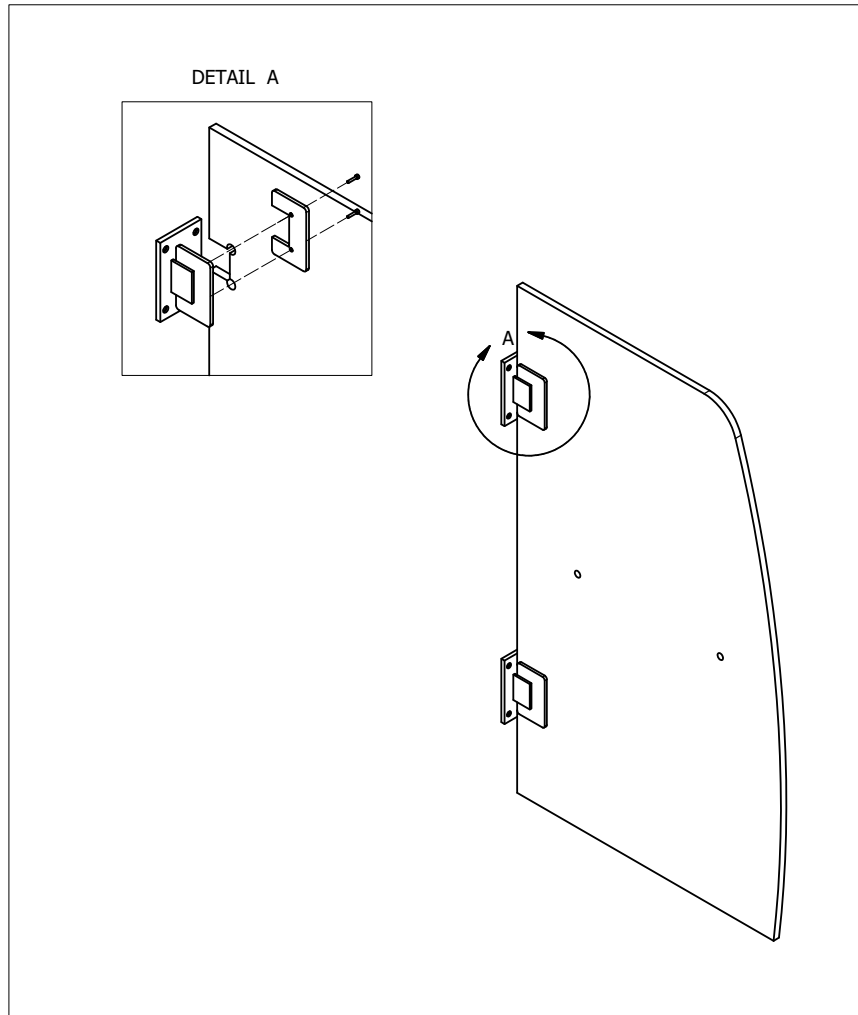
- |    |      |                          |
|----|------|--------------------------|
| 1. | (1x) | Glass door               |
| 2. | (2x) | Hinge                    |
| 3. | (6x) | Wall anchor              |
| 4. | (6x) | Screw ST5x35             |
| 5. | (1x) | Handle                   |
| 6. | (1x) | Side water proof strip   |
| 7. | (3x) | Bottom water proof strip |
| 8. | (3x) | 2mm, 4mm Alan Key        |



## TOOLS YOU'LL NEED

Tape Measure, Pencil, Phillips Screwdriver  
Drill Bits D=5/16"  
Level, Caulking Gun, Electric Drill, Hammer

## TUB DOOR



1. Use the predrilled holes and the included bolts to assemble the Hinges (05) on the Glass Door (01).

2. Put a piece of 5/8" thick timber on the bathtub. Place the Glass Door (01) and assembled Hinges (05) on the piece of flat timber. Butt the hinged side of the door against the wall and use your leveler tool to make necessary adjustments to its position until it is fully level.

NOTE: The door should be leveled vertically.

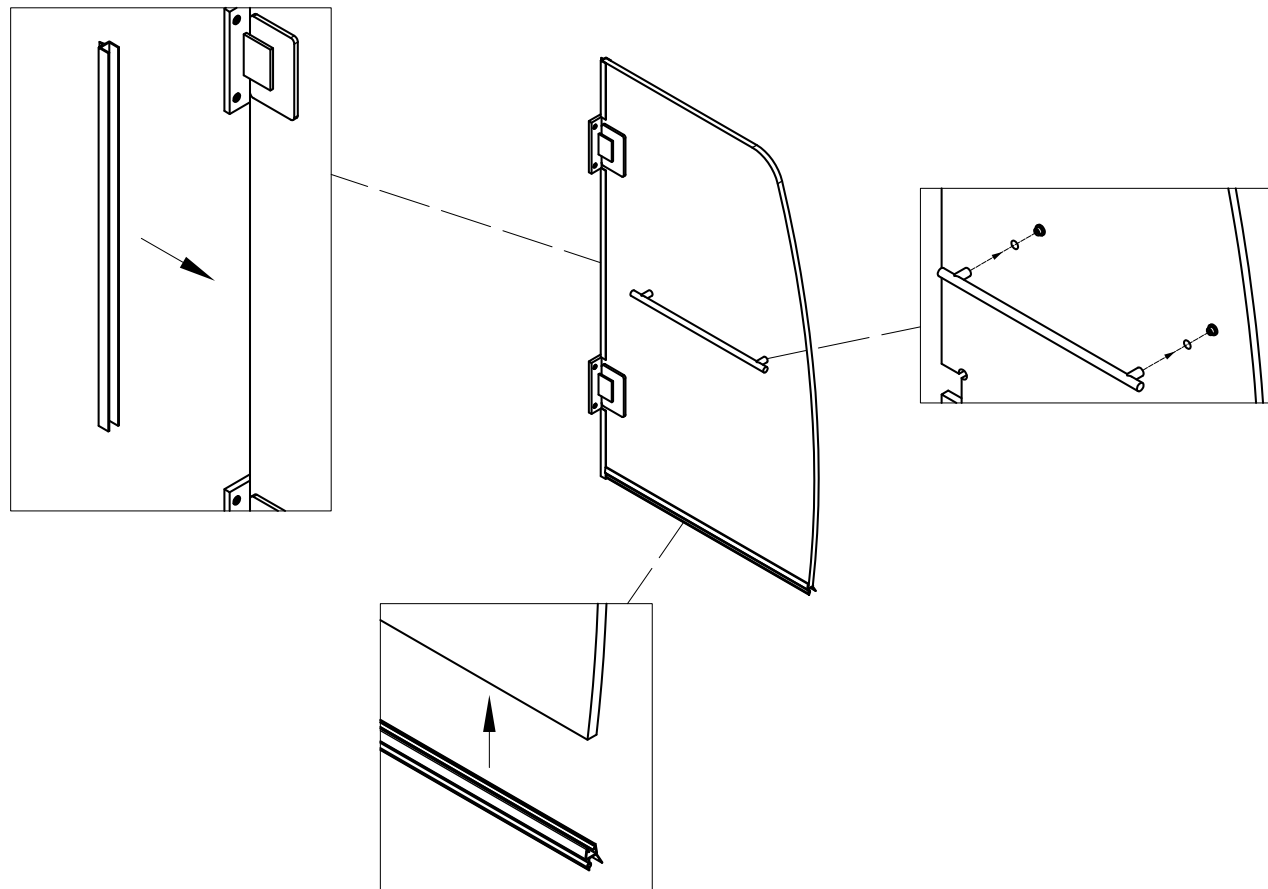
3. Accurately mark drill holes on the wall. Place the Glass Door (01) aside in a secure and safe position. Use a  $\varnothing$  5/16" drill bit to drill the holes, then insert the Wall Anchors (03).

4. Return the Glass Door (01) to its proper position. Use the Flat Head Screw ST5x35 (04) to secure the Hinges (05) to the wall.

# STRIPS / HANDLE

5. Clear away the flat timber and open the door. Fasten the Side Anti-Water Strip (06) over the Glass Door (01) vertical edge. Fasten the Bottom Anti-Water Strip (07) over the Glass Door bottom edge. Use the predrilled holes on the Glass Door to install the Handle (02).

WARNING: WAIT 24 HOURS BEFORE USING THE SHOWER ENCLOSURE TO ALLOW THE SILICONE GEL TO DRY COMPLETELY.



# MAINTENANCE

Guarantee a longer life of the hardware finish by wiping off the metal parts with a soft cloth after each use. Avoid using abrasive cleaners and products especially those that contain bleach, acid, or ammonia. In the case that these chemicals are used, thoroughly rinse the surface as soon as possible and wipe dry with a soft cloth. Stainless-steel surfaces should be cleaned once a week or as needed. When applying a stainless-steel polish or cleaner, work with the grain and not against it. Avoid the use of abrasive tools such as wired brushes, abrasive cloths or sponges, or steel wool.

**Tempered Glass:** Nonabrasive bathroom cleaners and your usual glass cleaner may be used to clean tempered glass. Be sure to thoroughly rinse off any cleaner. Do NOT strike the glass with any hard or sharp object as it could cause immediate damage or cause the glass to eventually break.

**Wheel Maintenance:** To keep the roller movement smooth, apply a small amount of lubricating oil. Periodically adjust the wheel screw to ensure the moving door slides smoothly and the bearing functions effectively.