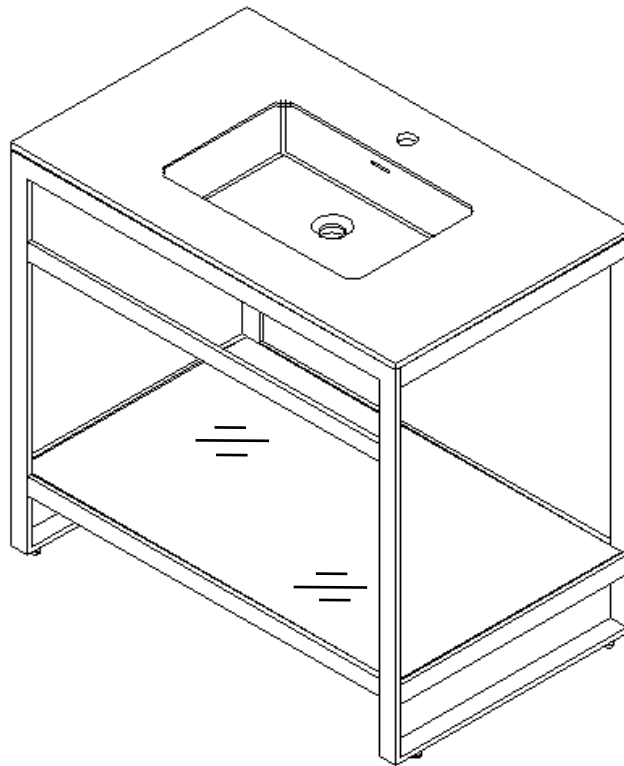


ANZZI®

Item: CS-CTRSSOOWH
CS-FRKDGL00**
CS-GLPNL00

CONSOLE SINK
INSTALL & OPERATION MANUAL

V1.0



DON'T WAIT! REGISTER NOW!

Register your product within 90 days to ensure your product is recognized as an official purchase and is eligible for warranty coverage.

Mail in the completed registry card (Pg. 2) or register online at www.swcorp.com/register.



PRODUCT REGISTRATION*

IMPORTANT: YOUR WARRANTY WILL NOT BE RECOGNIZED UNLESS THIS CARD IS FULLY COMPLETED AND RETURNED OR ONLINE REGISTRATION IS COMPLETED.

To ensure that your warranty is registered and confirmed please do one of the following:

1. Register online at www.swcorp.com/register. You will be asked to fill out the same information you would in the registration card. Registering online is fast, secure and ensures we receive your information.
2. Complete, cut-out and mail the registration card below. By returning this registration card we confirm the date of purchase for your new product. This confirmation will allow us to process any warranty claims.

Mail the card to: 5701 NW 35 Avenue, Miami, FL 33142



Product Registration Card

Name..... Address

City..... State..... Zip.....

Phone Email.....

Date of Purchase

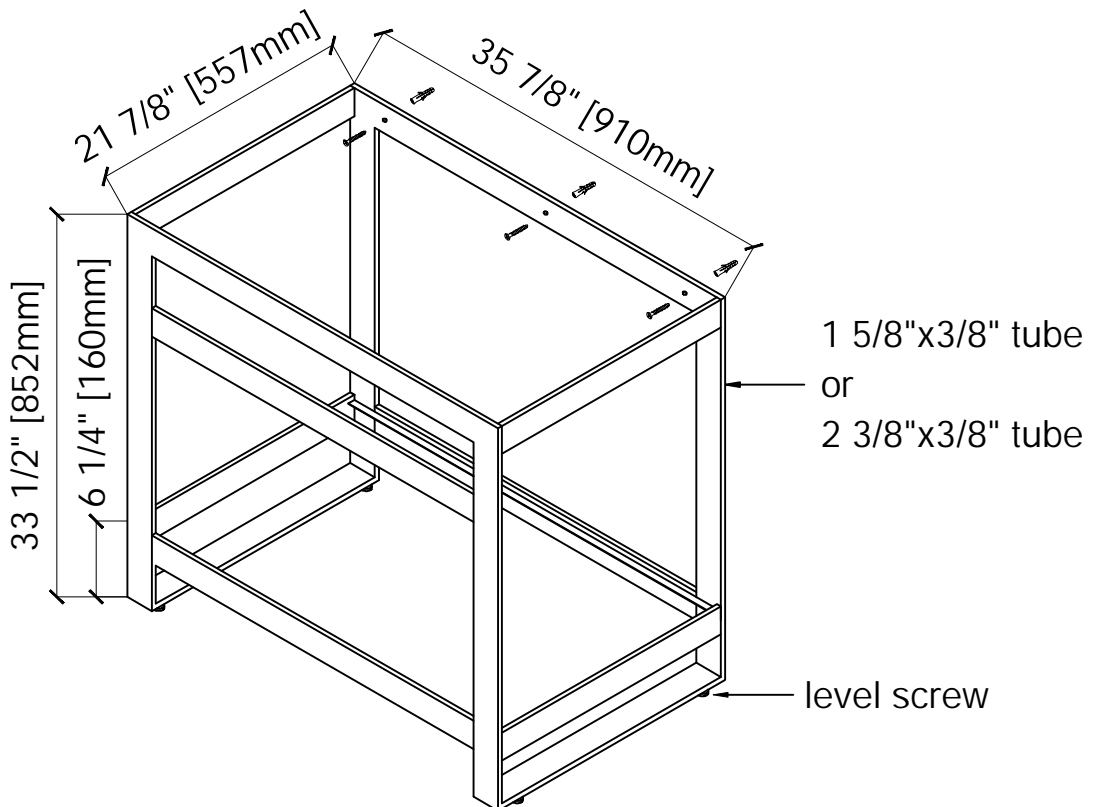
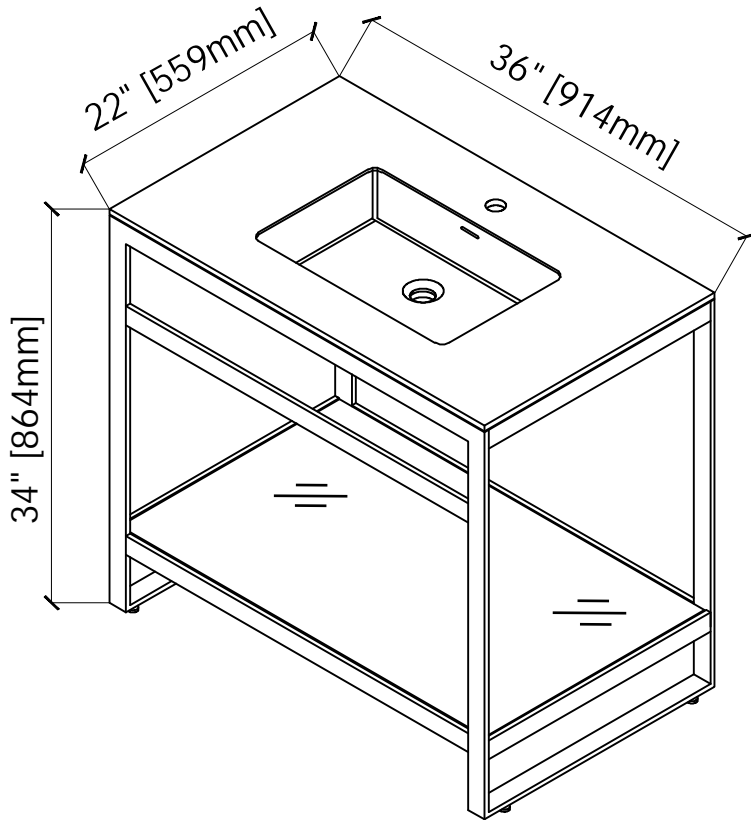
Installer's Name Phone

I have read the Owner's Manual carefully and understand and agree that any installation, operation or maintenance of the product must be done strictly in accordance with instructions and guidelines contained in the owner's manual and installation guide.

Signature..... Date.....

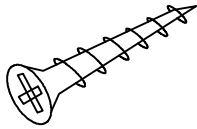
Have questions? Call us at 1-844-44-ANZZI or visit us at www.ANZZI.com

Overall Dimensions	36"Lx22"Wx34"H
Basin Dimensions	18 1/8"Lx11 3/4"W
Water Depth	4 1/8"
Drain Hole	1 3/4"
Faucet Type	1 3/8"(single hole)



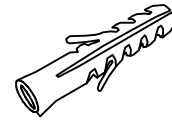
A

3pcs



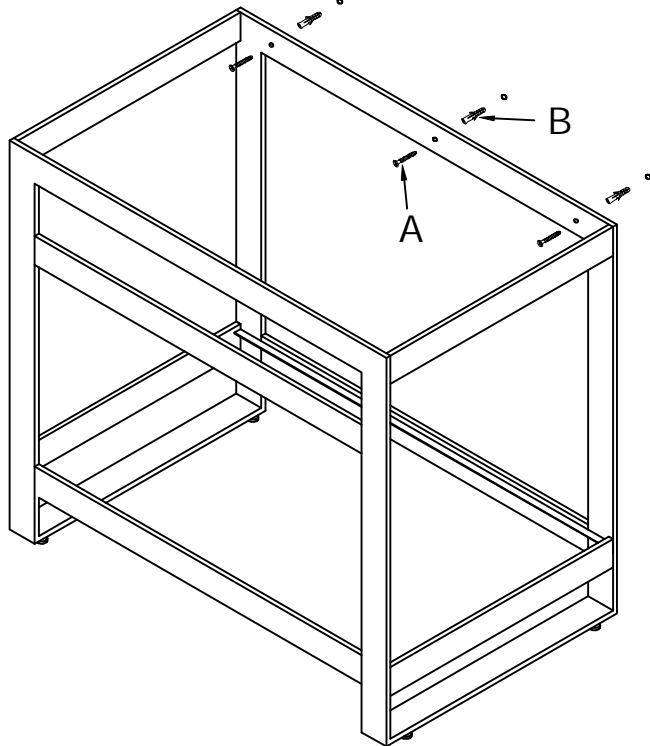
B

3pcs



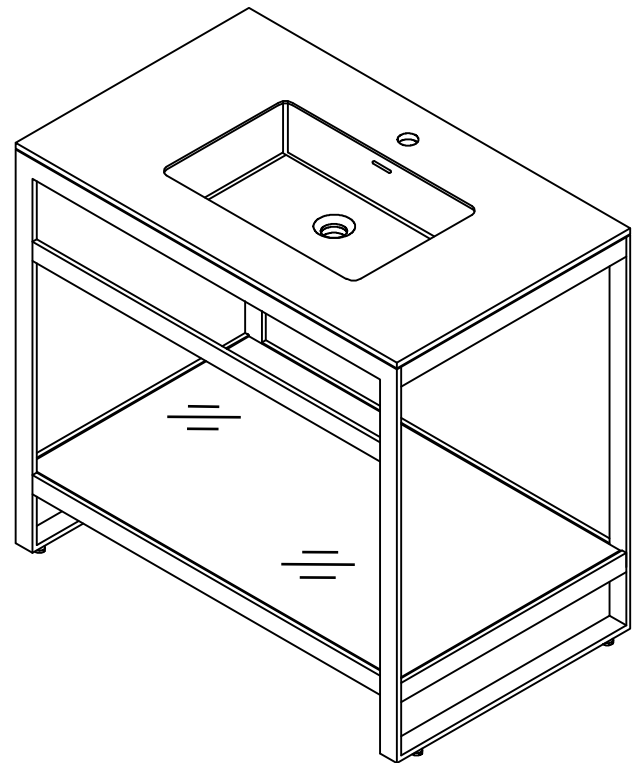
Section 1

drilling holes 3/8" (8mm)



1. Place the stand upright in the desired location and level using the height adjusters built into the bottom of the stand.
2. Use a pencil and the pre-drilled holes in the stand frame to mark location of mounting hardware on wall.
3. Drill holes for mounting hardware in the wall.
4. Insert anchors into the holes and secure the stand to the wall with the screws.
5. Apply silicone adhesive to the frame of the lower shelf and then place the glass plate on the frame.

Section 2



1. Apply a thin coat of silicone adhesive to the back of the sink where it meets the wall.
2. Apply a thin coat of silicone adhesive to the stand's top frame where the sink will rest.
3. Carefully place the sink on the top frame of the stand and center it.
4. Allow silicone adhesive to dry for 24 hours.

NOTE: Silicone adhesive and tools necessary for installation are NOT included.

Care and Maintenance

Removing stains and fixing scratches or cuts

Although all of our solid surface stone countertops are solid and non-porous, they still can be stained, scratched, or cut during use. And because the man-made stone countertop is solid all the way through, it is easy to renew to its original appearance by the following steps.

Identify the extent of the damage, if it is minor damage, try to repair it with an abrasive cleanser or common household degreaser.

Mild soapy water or ammonia-based detergents can remove most dirt and stains.

If the above steps are unfeasible, follow the polishing steps below:

a. Matte white finish:

- Clean the countertop surface with clear water to ensure no dust remains.
- Use 600 sandpaper to polish the damaged surface with water in moderate pressure until the damage is gone and the countertop surface is smooth.
- Rinse the countertop surface with clear water. Wipe completely dry with a clean cloth.

b. Matte grey finish:

- Clean the countertop surface with clear water to ensure no dust remains.
- Use 1200 sandpaper to polish the damaged surface with water in moderate pressure until the damage is gone, then use 1200 scouring pad dipping with water to repeat polishing in circles until the countertop surface is smooth.
- Rinse the countertop surface with clear water. Wipe completely dry with a clean cloth.

Attentions

- Pay attention to spills and wipe them up immediately. Hard water deposits can ruin the shine on the countertop.
- Do not put the high-temperature object directly on the manmade stone countertop. Excessive heat can cause a thermal shock, which may crack the countertop.
- Never stand or sit on the stone countertop. Small fissures in the stone may cause cracks if subjected to excessive weight.