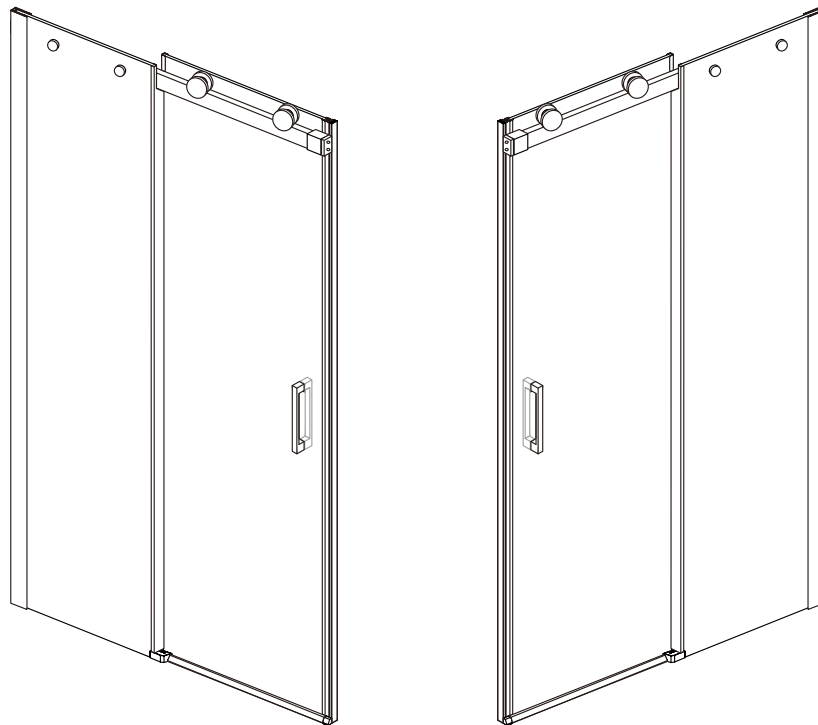


ANZZI®

Item: SD-FRLS05701**
SD-FRLS05702**

ANZZI GLASS SHOWER DOOR
INSTALL & OPERATION MANUAL
V1.0



DON'T WAIT! REGISTER NOW!

Register your product within 90 days to ensure your product is recognized as an official purchase and is eligible for warranty coverage.

Mail in the completed registry card (Pg. 2) or register online at www.swcorp.com/register.



PRODUCT REGISTRATION*

IMPORTANT: YOUR WARRANTY WILL NOT BE RECOGNIZED UNLESS THIS CARD IS FULLY COMPLETED AND RETURNED OR ONLINE REGISTRATION IS COMPLETED.

To ensure that your warranty is registered and confirmed please do one of the following:

1. Register online at www.swcorp.com/register. You will be asked to fill out the same information you would in the registration card. Registering online is fast, secure and ensures we receive your information.
2. Complete, cut-out and mail the registration card below. By returning this registration card we confirm the date of purchase for your new product. This confirmation will allow us to process any warranty claims.

Mail the card to: 5701 NW 35 Avenue, Miami, FL 33142



Product Registration Card

Name..... Address

City..... State..... Zip.....

Phone Email.....

Date of Purchase

Installer's Name Phone

I have read the Owner's Manual carefully and understand and agree that any installation, operation or maintenance of the product must be done strictly in accordance with instructions and guidelines contained in the owner's manual and installation guide.

Signature..... Date.....

Have questions? Call us at **1-844-44-ANZZI** or visit us at www.ANZZI.com

◆ General Information

Please inspect the product immediately upon receipt for transit damage, missing packs/parts or manufacturing fault. Damage reported later cannot be accepted. Please handle the product with care avoiding knocks and shock loading to all sides and edges of the glass.

Notes: Safety glass can not be re-worked.

Please read these instructions carefully before start of installation.

Special care should be taken when drilling walls to avoid hidden pipes or electrical cables.

Note: This product is heavy and may require two people to install.

Aftercare instructions

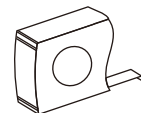
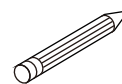
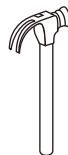
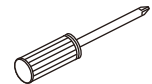
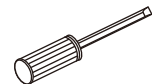
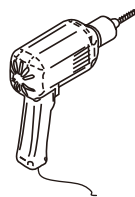
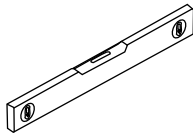
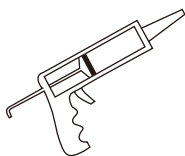
After use, your shower should be cleaned with soap and water. This is particularly important in hard water districts where insoluble lime salts may be deposited and allowed to build up.

Cleaners of a gritty or abrasive nature should not be used. Care should be taken to avoid contact with strong chemicals such as organic solvents and strippers.

Glass cleaners can be used but with caution, if in doubt contact the manufacturer of the cleaner in question.

Please keep these instructions for aftercare and customer service details.

Tools Required



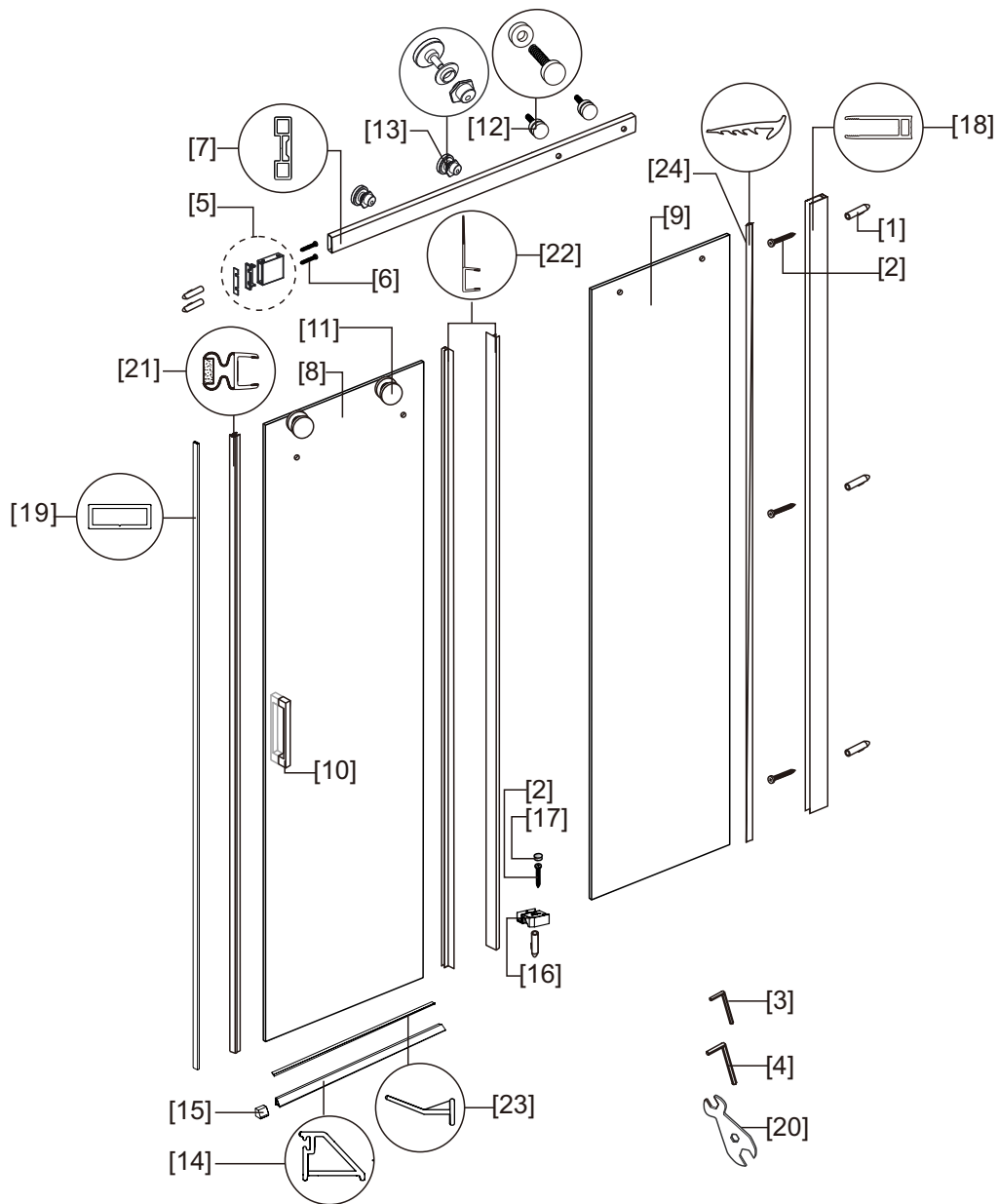
This product is heavy and may require two people to install.



◆ Box Contents

1xInstallation Instruction.	➔	
[1] 3xWall Plugs. [2] 3xScrews ST4x35.	➔	
[3] 1x0.08" Allen Key. [4] 1x0.12" Allen Key.	➔	
[5] 1xWall Bracket. [6] 2xFlat Head Screws ST5x35. 2xWall Plugs.	➔	
[7] 1xHorizontal Rail.	➔	
[8] 1xDoor Panel.	➔	
[9] 1xFixed Panel.	➔	
[10] 1xHandle Set.	➔	
[11] 2xTop Rollers. [12] 2xFasteners. [13] 2xAnti-jumps.	➔	
[14] 1xAluminum Seal.	➔	
[15] 2xBottom Guides A (L&R). [16] 2xBottom Guides B (L&R). [17] 1xHole Cap. 1xScrews ST4x35. 1xWall Plug.	➔	
[18] 1xWall Post . [19] 1xMagnetic Post.	➔	
[20] 1xWrench.	➔	
[21] 1xMagnetic Seal.	➔	
[22] 2xSide Gaskets. [23] 1xBottom Gasket. [24] 1xInserted Gasket.	➔	

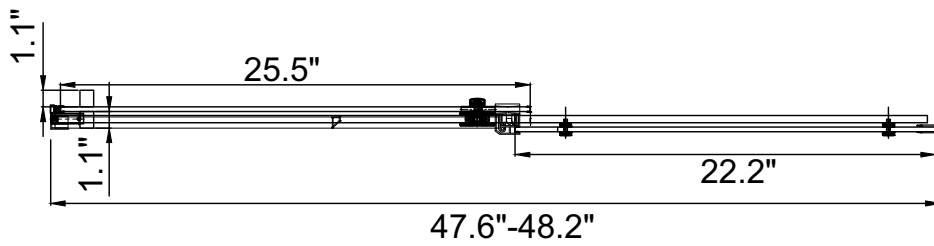
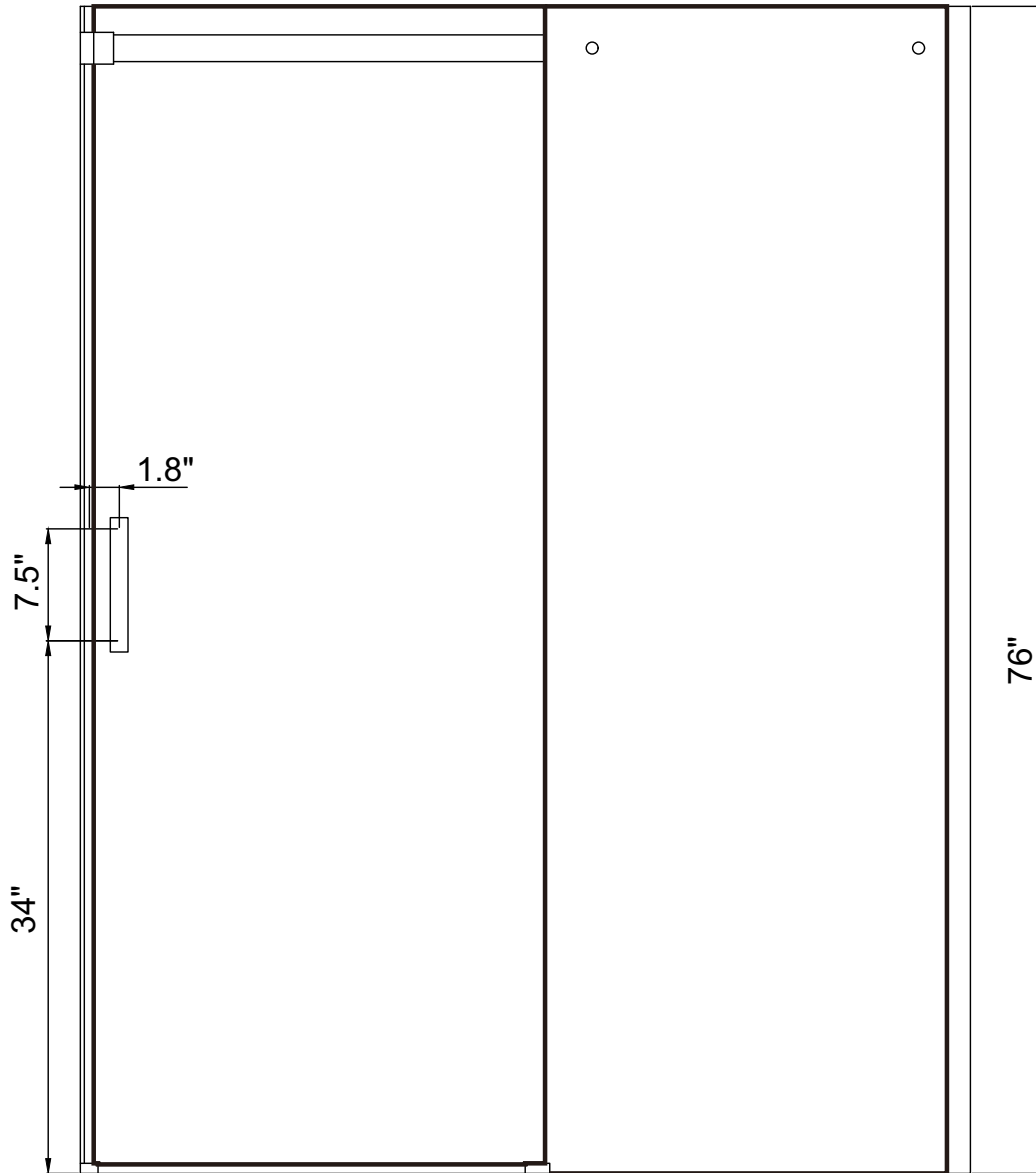
◆ Assembly Drawing



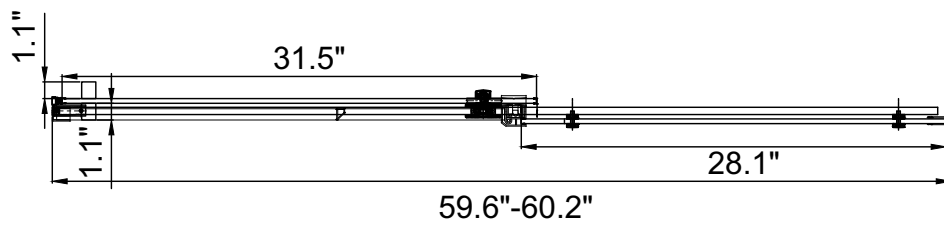
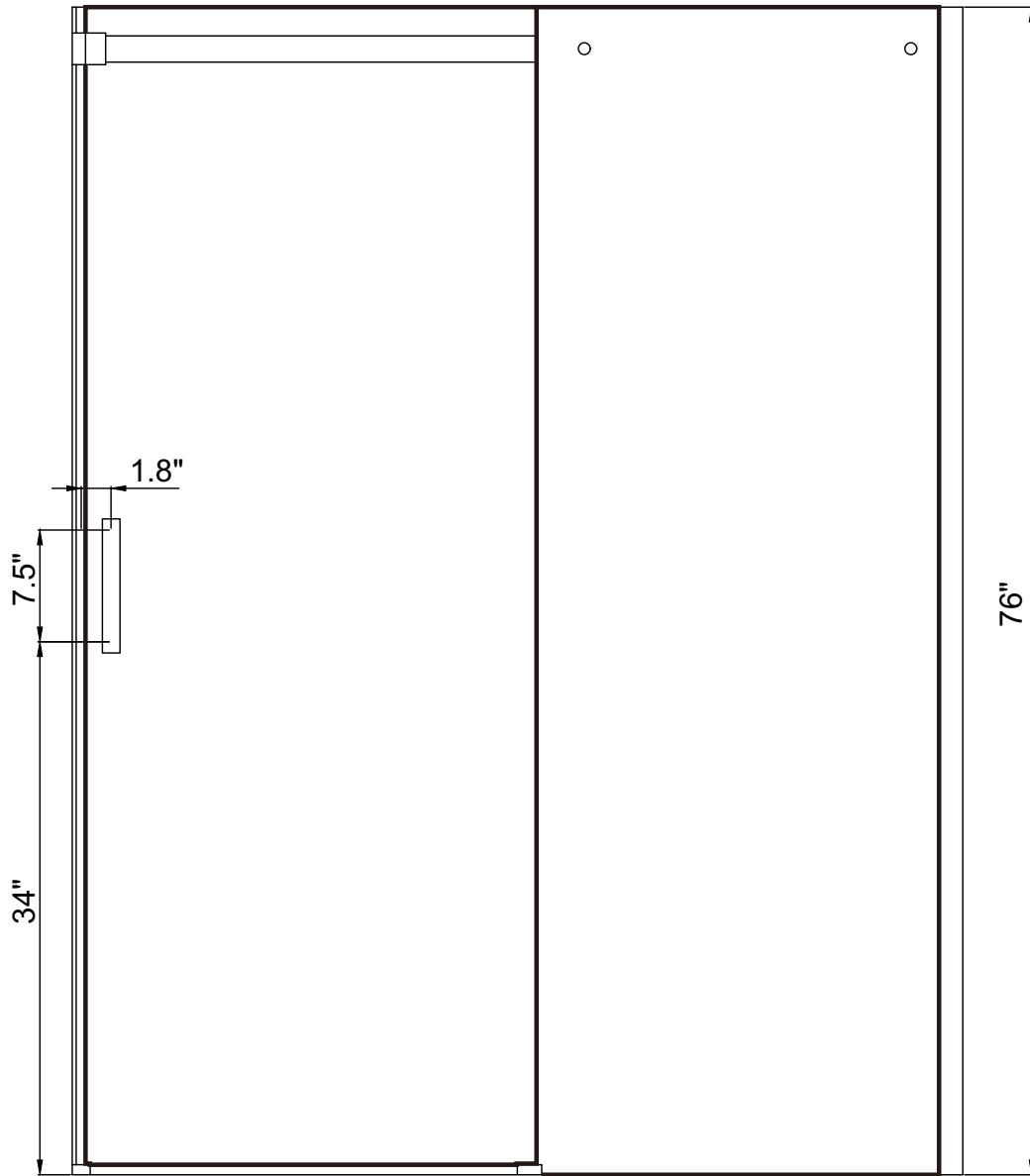
- [1] 6xWall Plugs.
- [2] 4xScrews ST4x35.
- [3] 1x0.08" Allen Key.
- [4] 1x0.12" Allen Key.
- [5] 1xWall Bracket.
- [6] 2xFlat Head Screws ST5x35.
- [7] 1xHorizontal Rail.
- [8] 1xDoor Panel.
- [9] 1xFixed Panel.
- [10] 1xHandle Set.
- [11] 2xTop Rollers.
- [12] 2xFasteners.
- [13] 2xAnti-jumps.

- [14] 1xAluminum Seal.
- [15] 1xBottom Guides A (R).
- [16] 1xBottom Guides B (R).
- [17] 1xHole Cap.
- [18] 1xWall Post .
- [19] 1xMagnetic Post.
- [20] 1xWrench.
- [21] 1xMagnetic Seal.
- [22] 2xSide Gaskets.
- [23] 1xBottom Gasket.
- [24] 1xInserted Gasket.

SD-FRLS05701** 48"*76"

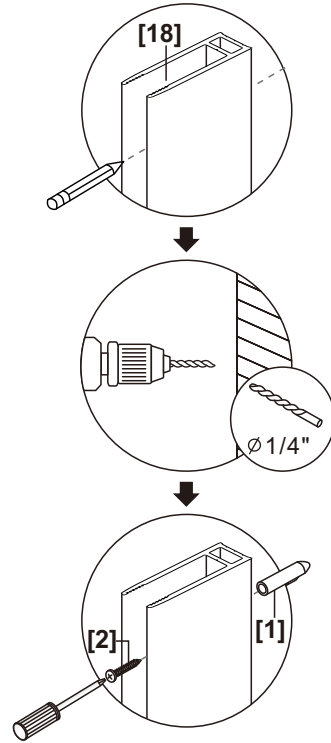
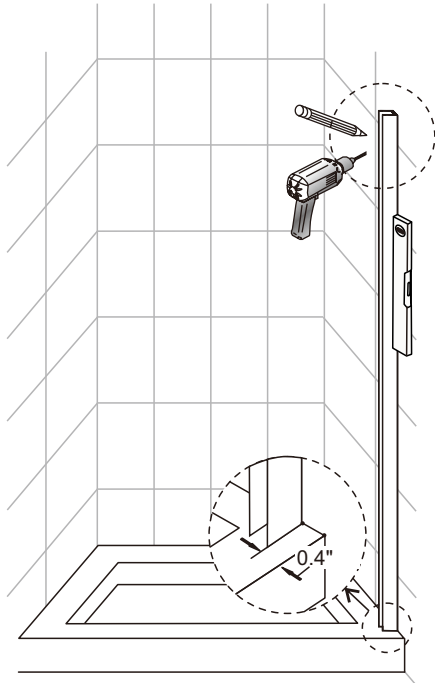


SD-FRLS05702** 60"*76"

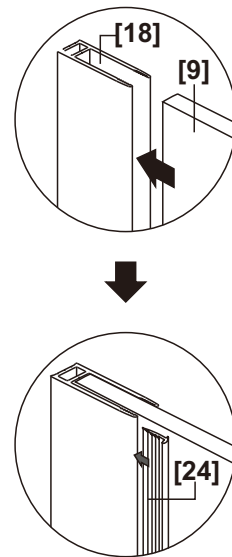
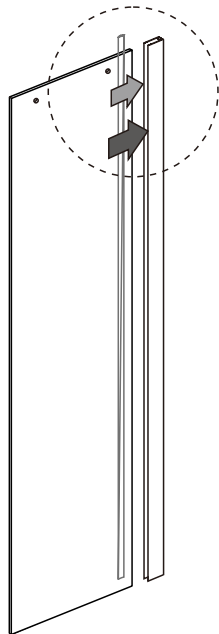


◆ Installation Steps

Step 1

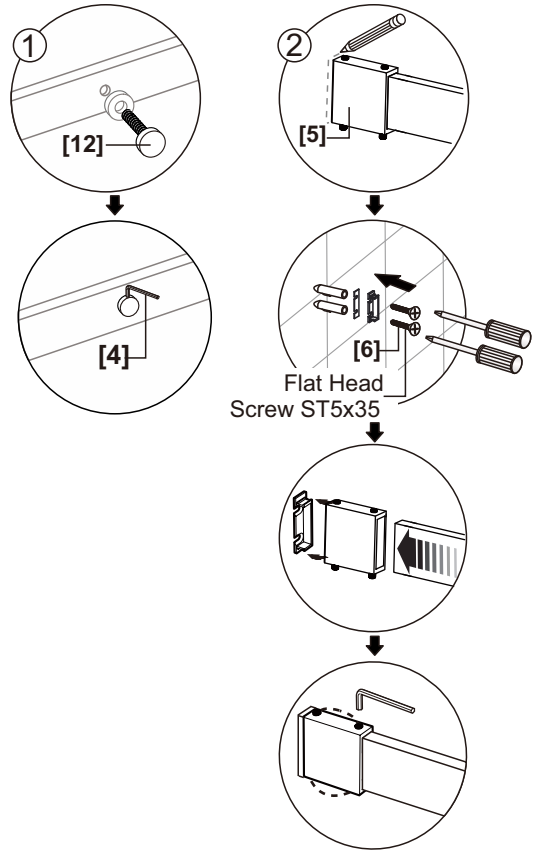
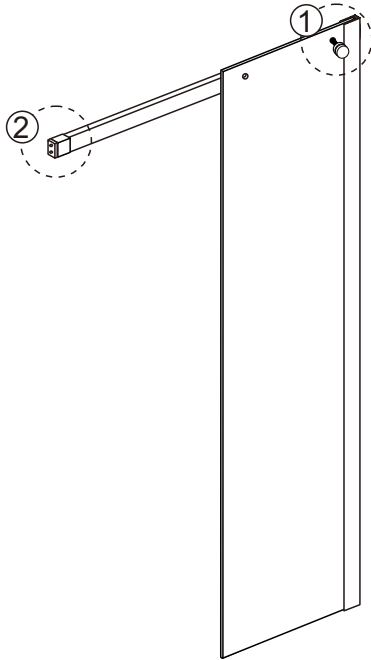


Step 2

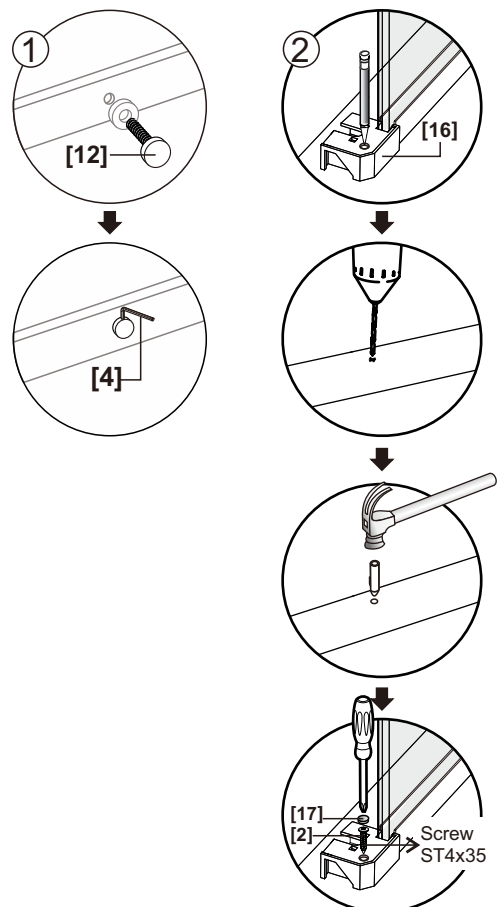
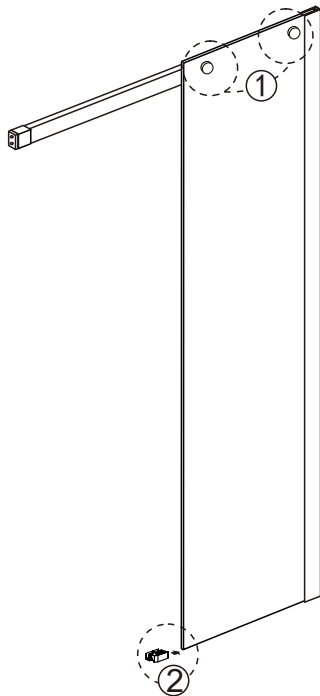


View from inside

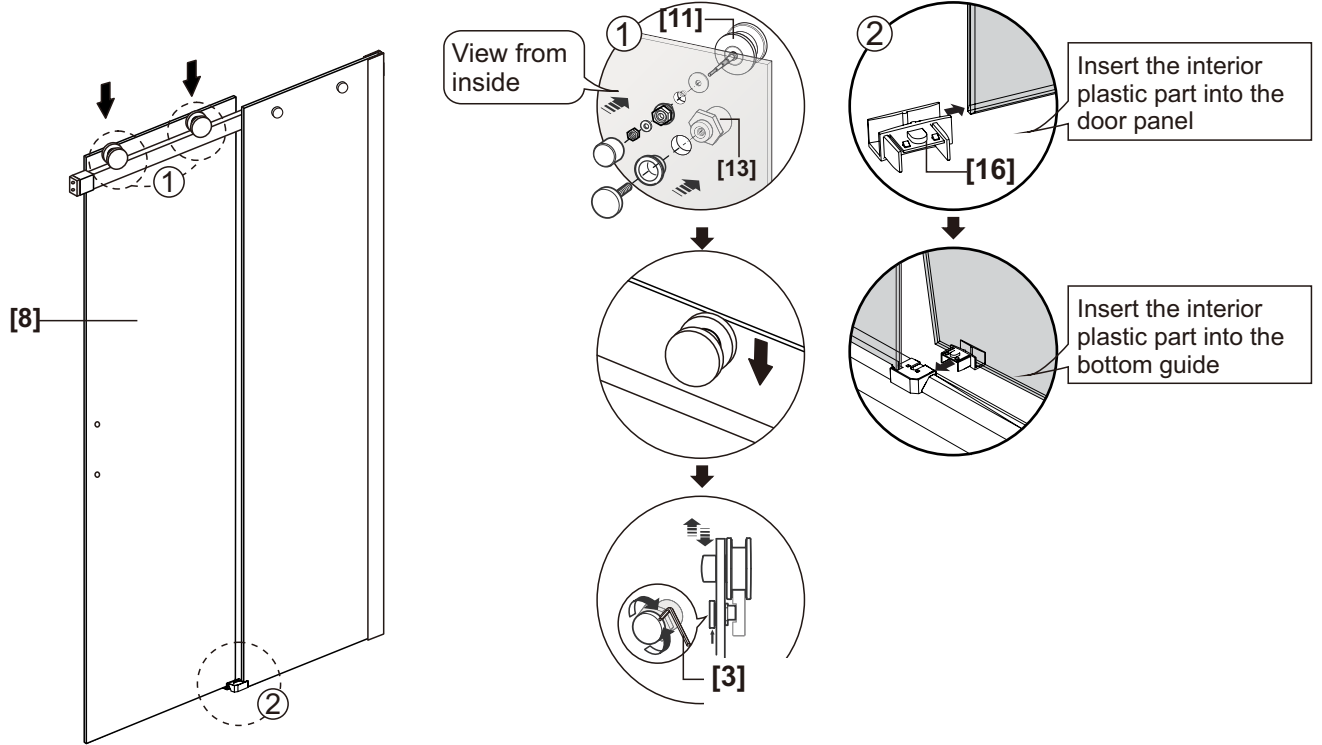
Step 3



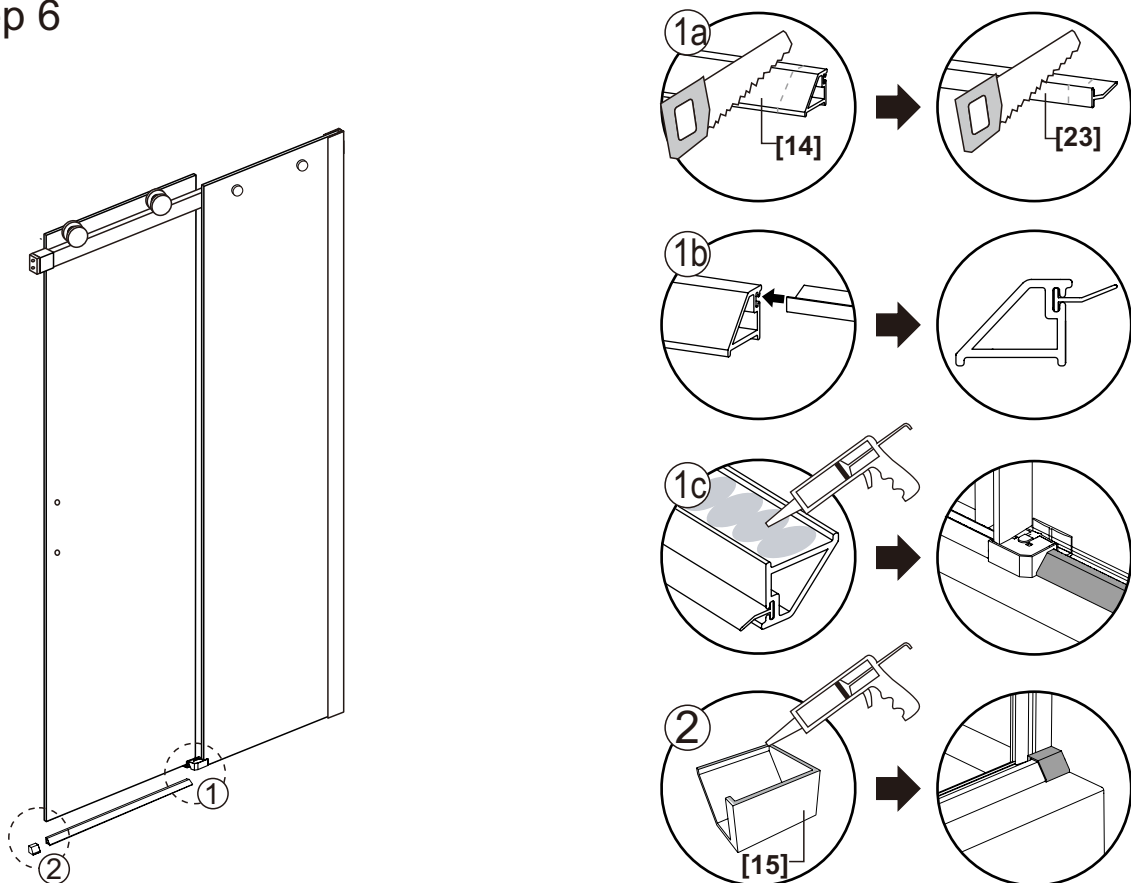
Step 4



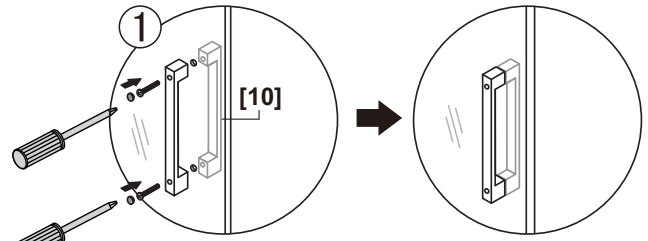
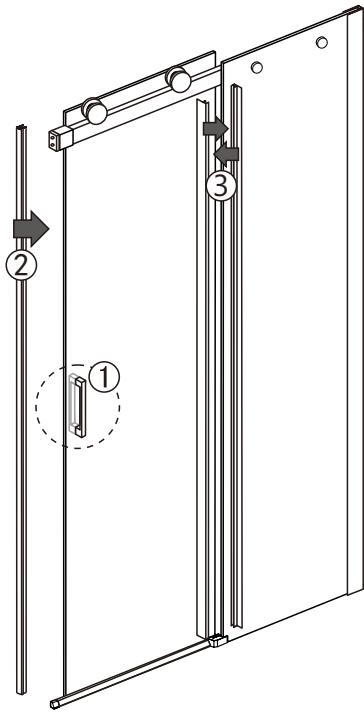
Step 5



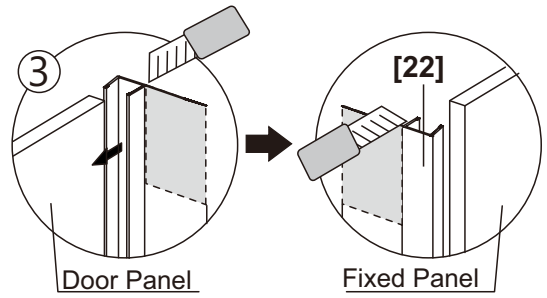
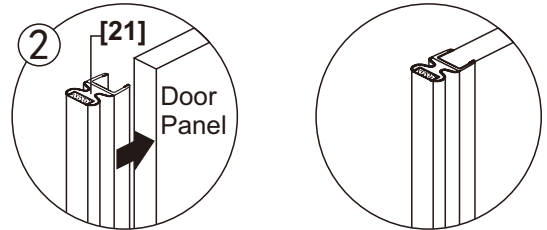
Step 6



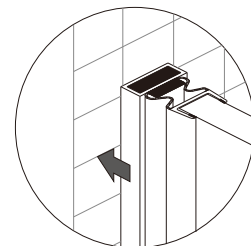
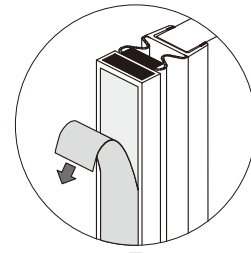
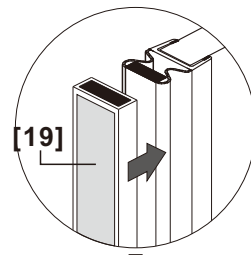
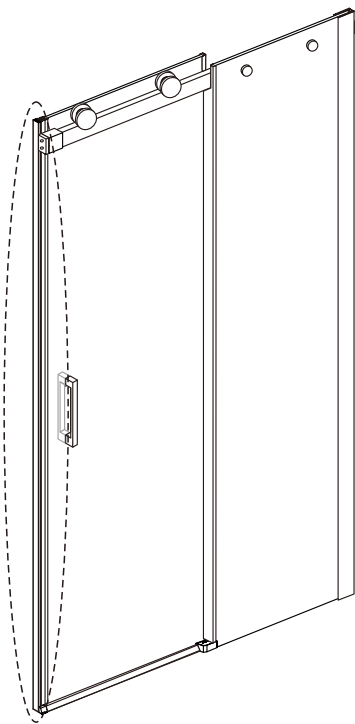
Step 7



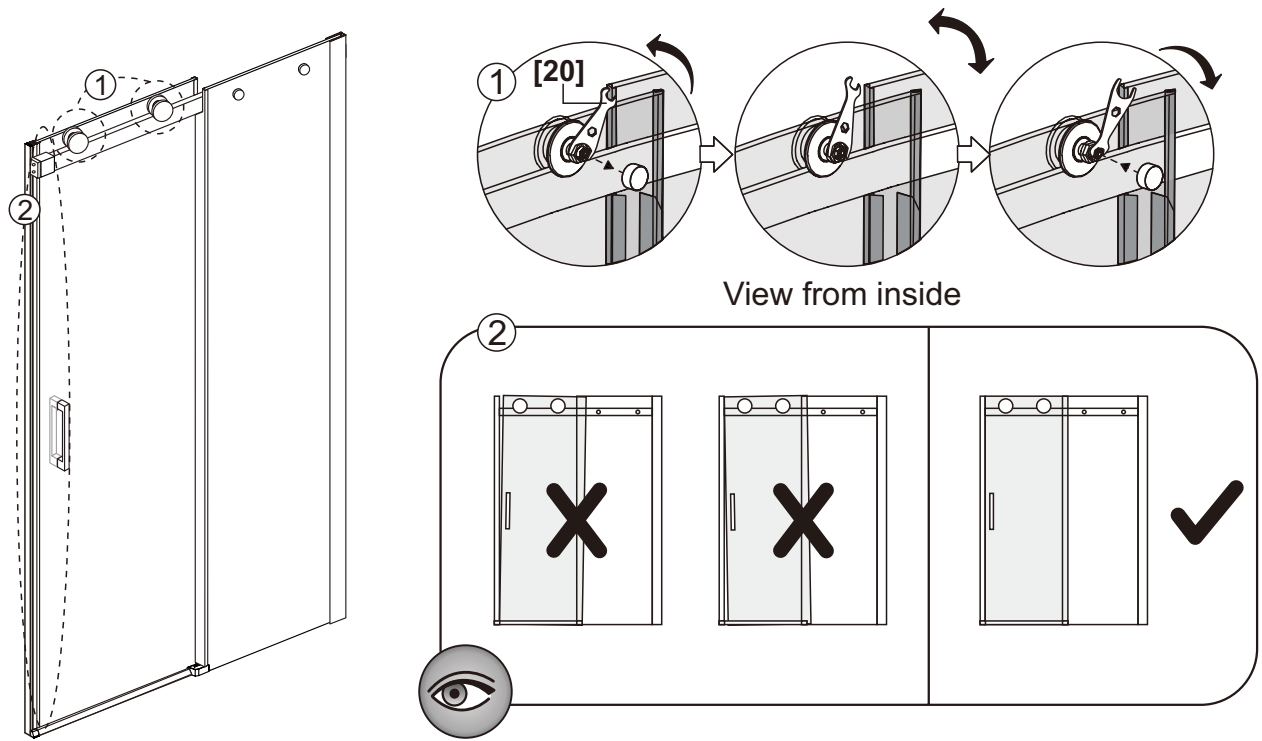
View from inside



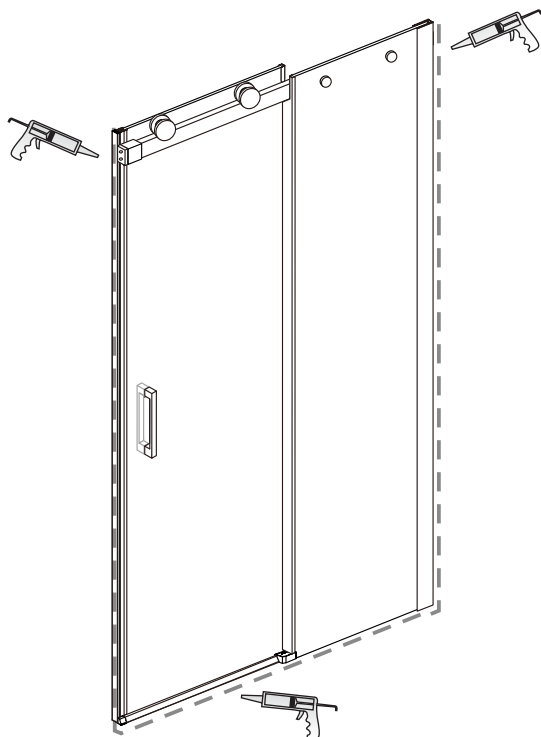
Step 8



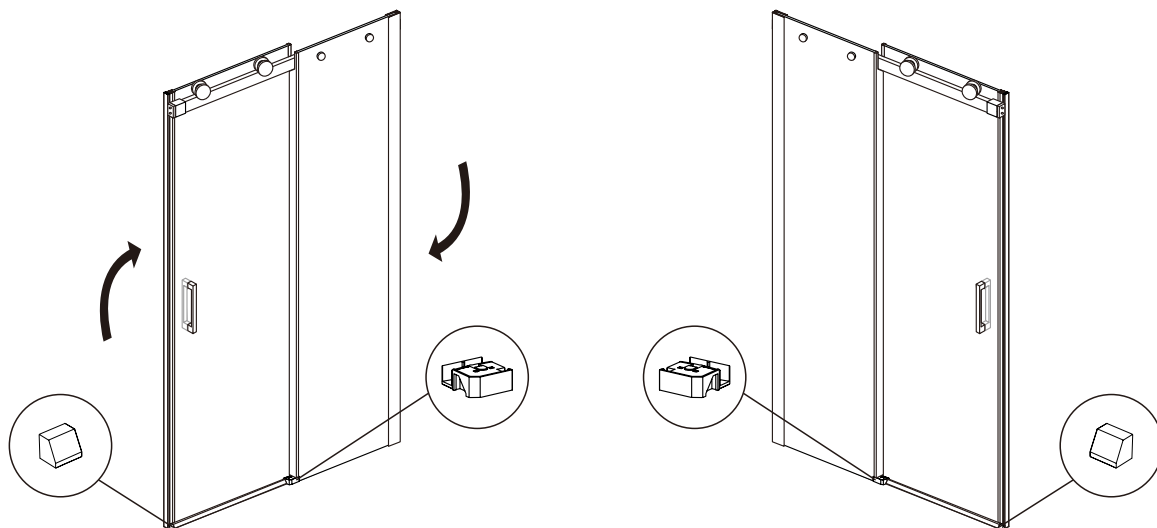
Step 9



Step 10



Allow 24 hours for silicone to dry before use.



Turn over to install it to change the door from RH to LH.