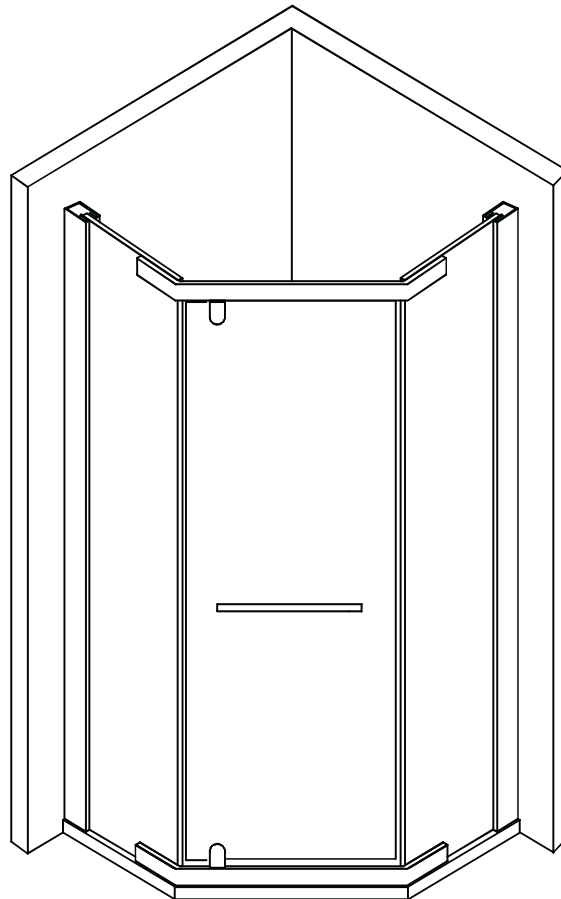


Item: SD-AZ056-01\*\*  
ANZZI GLASS SHOWER DOOR  
INSTALL & OPERATION MANUAL  
V1.0



# DON'T WAIT! REGISTER NOW!

Register your product within 90 days to ensure your product is recognized as an official purchase and is eligible for warranty coverage.

Mail in the completed registry card (Pg. 2) or register online at [www.swcorp.com/register](http://www.swcorp.com/register).



## PRODUCT REGISTRATION\*

**IMPORTANT: YOUR WARRANTY WILL NOT BE RECOGNIZED UNLESS THIS CARD IS FULLY COMPLETED AND RETURNED OR ONLINE REGISTRATION IS COMPLETED.**

**To ensure that your warranty is registered and confirmed please do one of the following:**

- 1. Register online at [www.swcorp.com/register](http://www.swcorp.com/register).** You will be asked to fill out the same information you would in the registration card. Registering online is fast, secure and ensures we receive your information.
- 2. Complete, cut-out and mail the registration card below.** By returning this registration card we confirm the date of purchase for your new product. This confirmation will allow us to process any warranty claims.

**Mail the card to: 5701 NW 35 Avenue, Miami, FL 33142**



Product Registration Card

Name..... Address .....

City..... State..... Zip.....

Phone..... Email.....

Date of Purchase .....

Installer's Name ..... Phone .....

I have read the Owner's Manual carefully and understand and agree that any installation, operation or maintenance of the product must be done strictly in accordance with instructions and guidelines contained in the owner's manual and installation guide.

Signature..... Date.....

**Have questions? Call us at 1-844-44-ANZZI or visit us at [www.ANZZI.com](http://www.ANZZI.com)**

## ◆ General Information

Please inspect the product immediately upon receipt for transit damage, missing packs/parts or manufacturing fault. Damage reported later cannot be accepted. Please handle the product with care avoiding knocks and shock loading to all sides and edges of the glass.

### **Notes: Safety glass can not be re-worked.**

Please read these instructions carefully before start of installation.

Special care should be taken when drilling walls to avoid hidden pipes or electrical cables.

Note: This product is heavy and may require two people to install.

## **Aftercare instructions**

After use, your shower should be cleaned with soap and water. This is particularly important in hard water districts where insoluble lime salts may be deposited and allowed to build up.

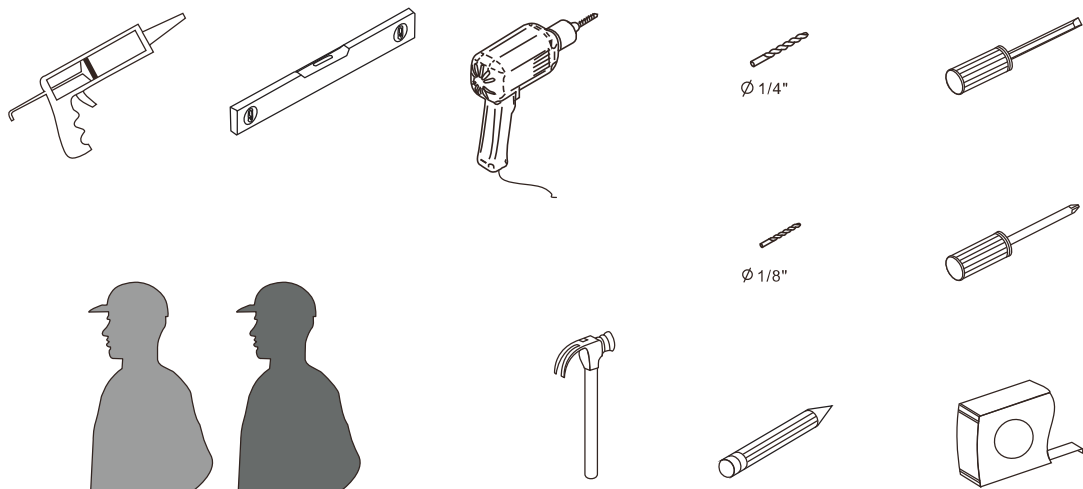
Cleaners of a gritty or abrasive nature should not be used. Care should be taken to avoid contact with strong chemicals such as organic solvents and strippers.

Glass cleaners can be used but with caution, if in doubt contact the manufacturer of the cleaner in question.

Please keep these instructions for aftercare and customer service details.

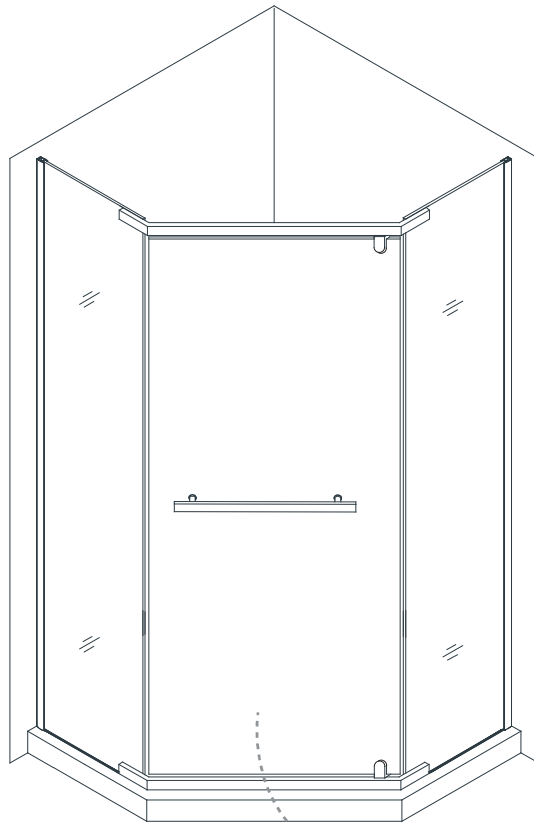
---

## **Tools Required**

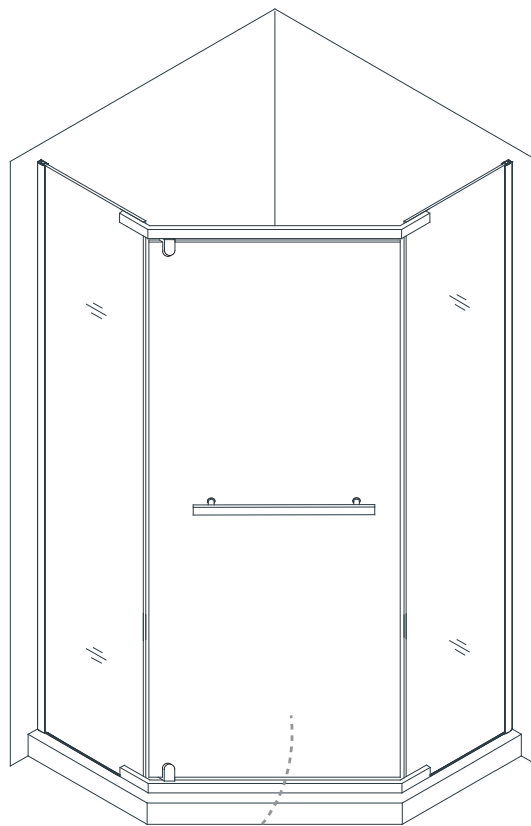


**This product is heavy and may require two people to install.**





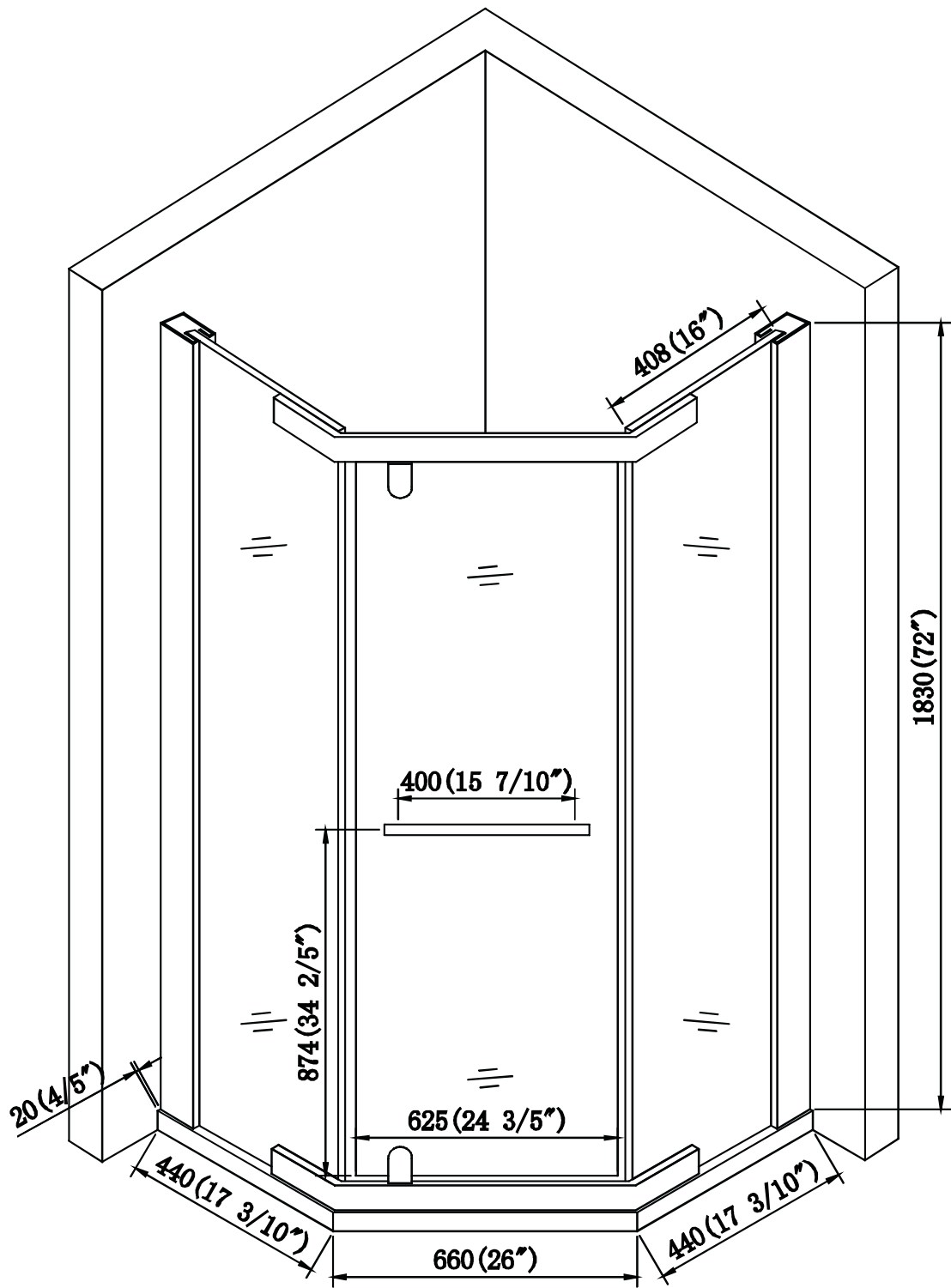
Right-hand door installation shown



Left-hand door installation shown

## ◆ Box Contents:

1xInstallation Instruction.	➔	
1.Wall Profile X2	➔	
2.Pivot Assembly X2	➔	
3.Rubber strip X2	➔	
4.Sweep Vinyl Seal X1	➔	
5.Hinge-Side Vinyl Seal X1	➔	
6.Magnetic Strike Vinyl X1	➔	
7.Door Glass X1	➔	
8.Decorative Washer X8	➔	
9.Pivot Bar X2	➔	
10.Vinyl Gasket (for Pivot Bar) X16	➔	
11.Truss Head Screw St5x40 X6	➔	
12.Wall Anchor X6	➔	
13.Hex Socket Bolt M8x20 X8	➔	
14.Hex Socket Bolt M8x10 X4	➔	
15.Panel Glass X2	➔	
16.Handle X1	➔	

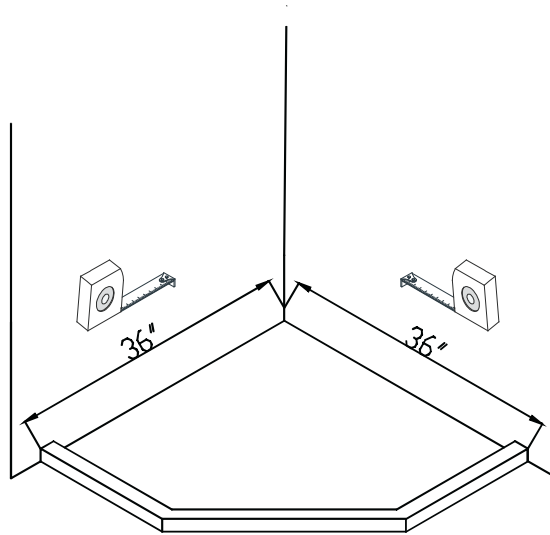


**SD-AZ056-01**

# ◆ Installation Steps

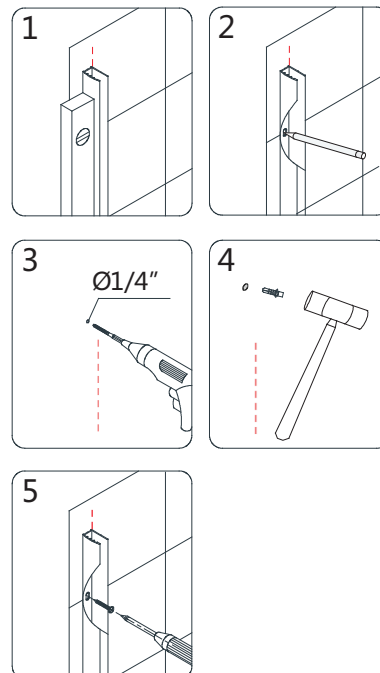
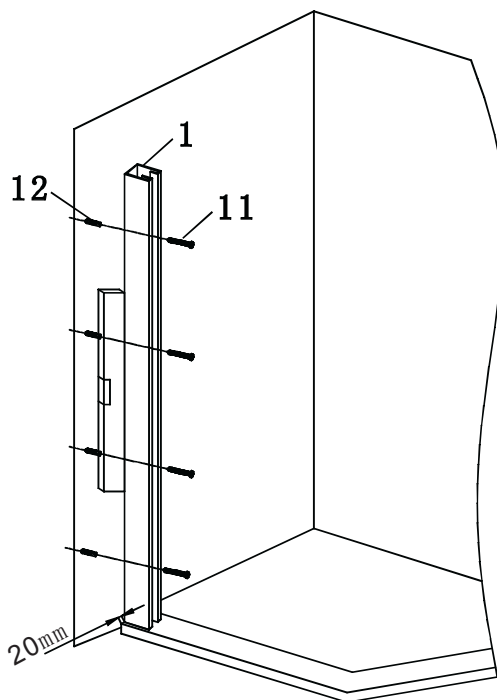
## Step 1

1. Make sure space is enough for the shower door (36\*36 inch)



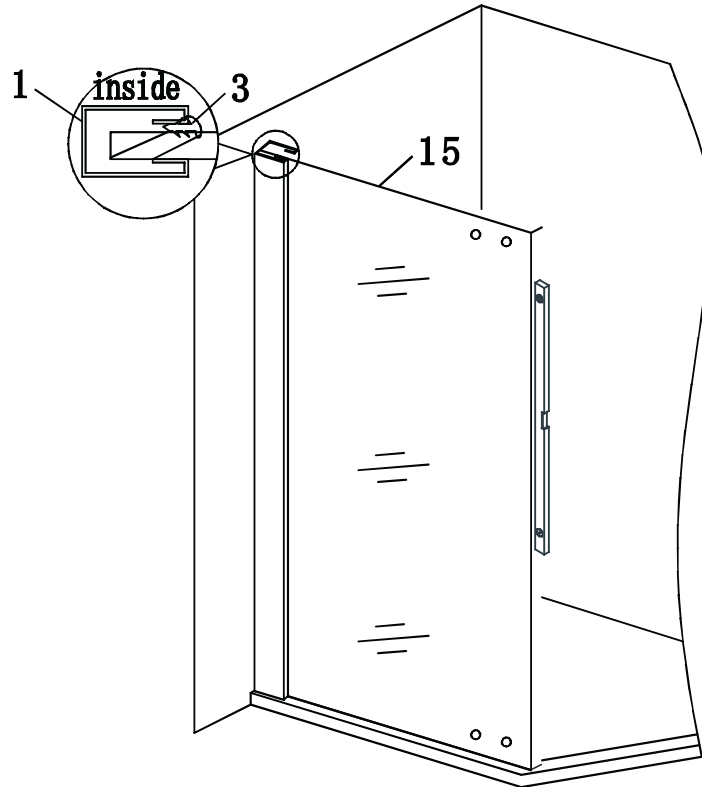
## Step 2

2. Place the side wall profile (1) 20mm away from the edge of the shower base and use a horizontal ruler to make it perpendicular to the ground, and mark the position of the screw hole. Use a  $\phi 1/4$  "drill to drill holes, drive into the plastic anchor (12), and fix the side wall profile with screws (11). The other side wall profile is installed in the same way.)



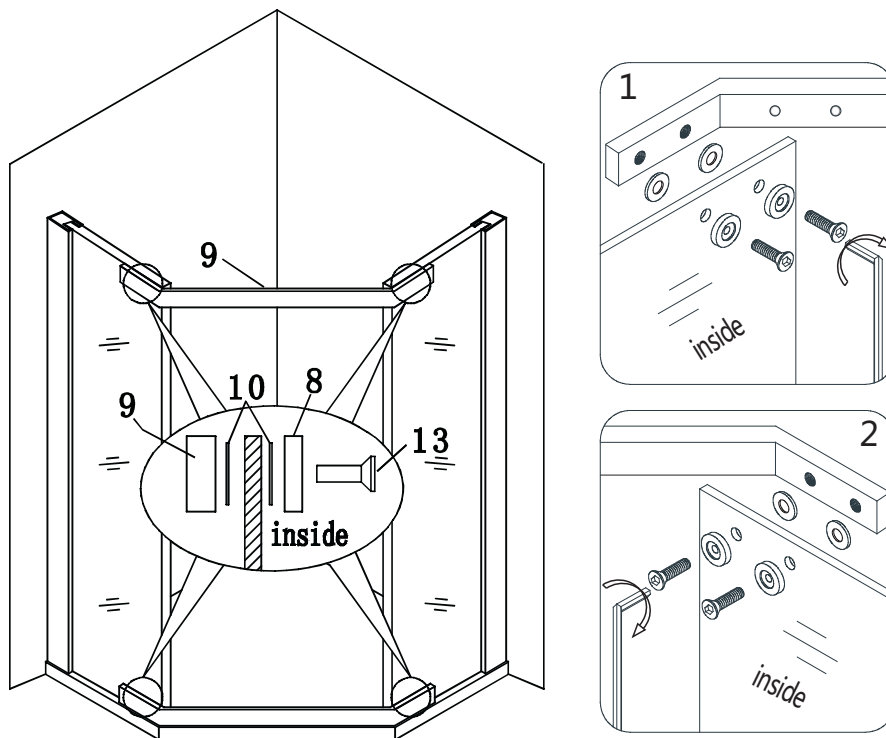
### Step 3

3. mount the fixed glass (15) into the side wall profile (1), adjust it, and install it with the rubber strip(3). To mount the other fixed glass (15) on the other side with same installation way. Two fixed glass are installed.



### Step 4

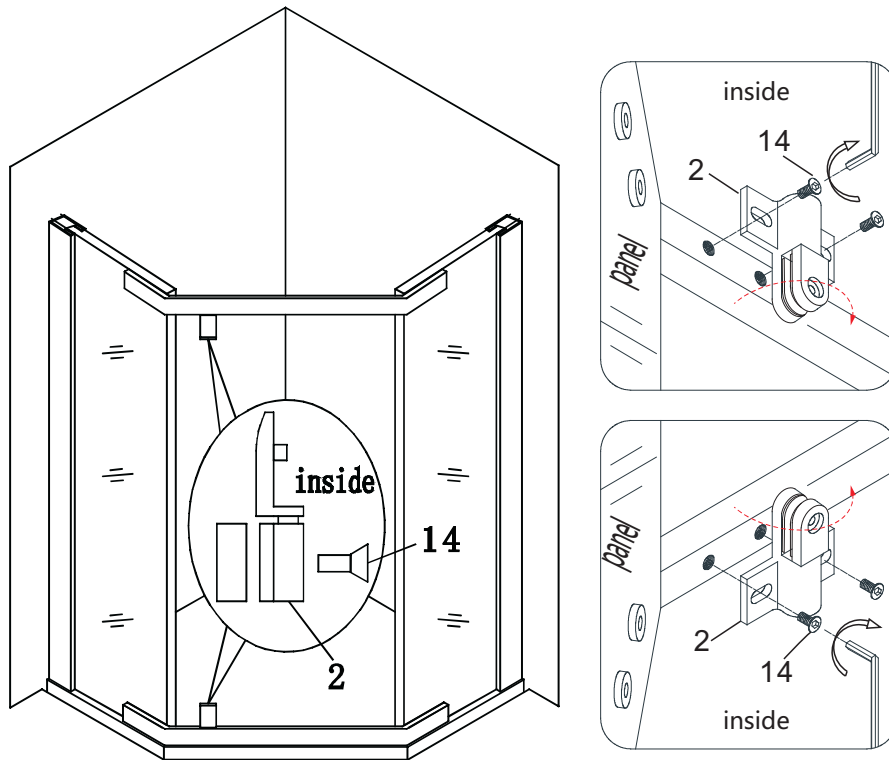
4. Install the pivot bar (9) as shown in the picture)





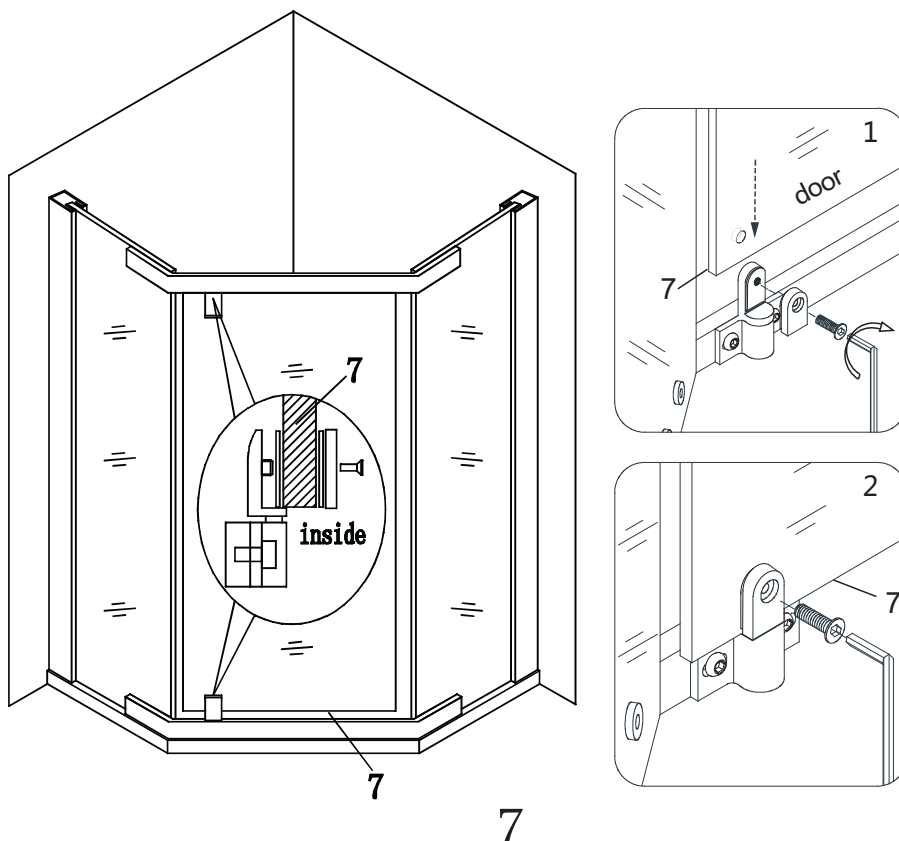
## Step 5

5. Install the pivot (2) on the pivot bar with screws (14). Pay attention to the rotation direction of the pivot



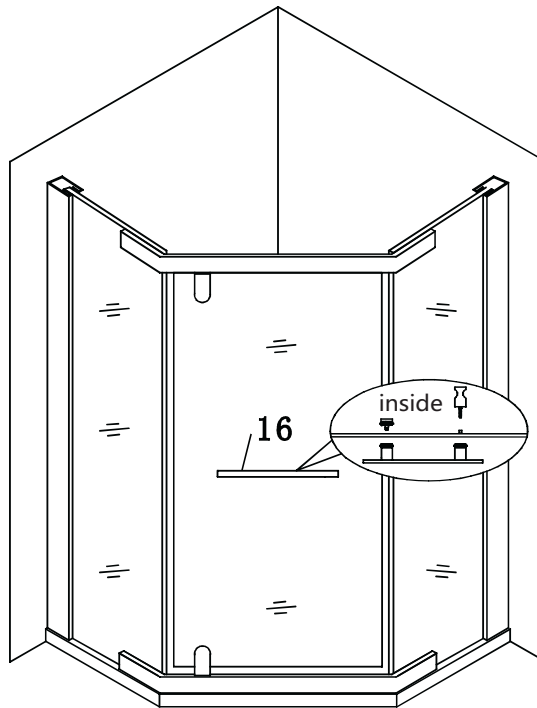
## Step 6

6. Install swing glass (7) on the pivot as shown



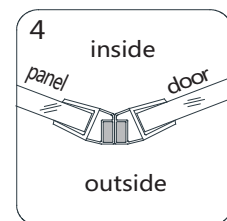
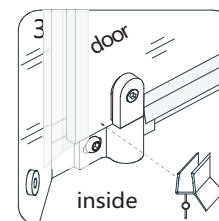
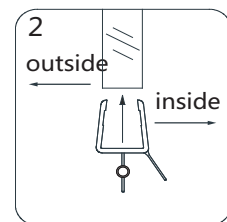
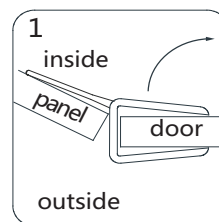
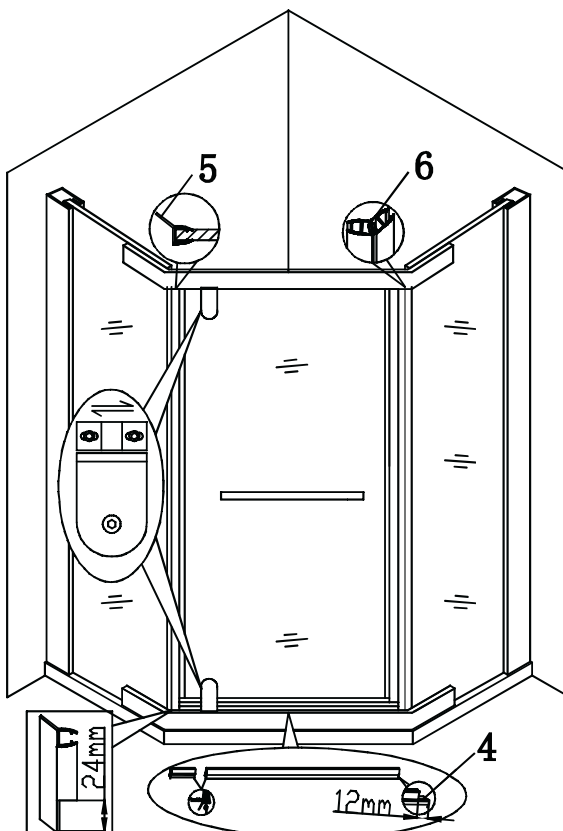
## Step 7

7. Install the handle (16) on the swing glass (7) as shown



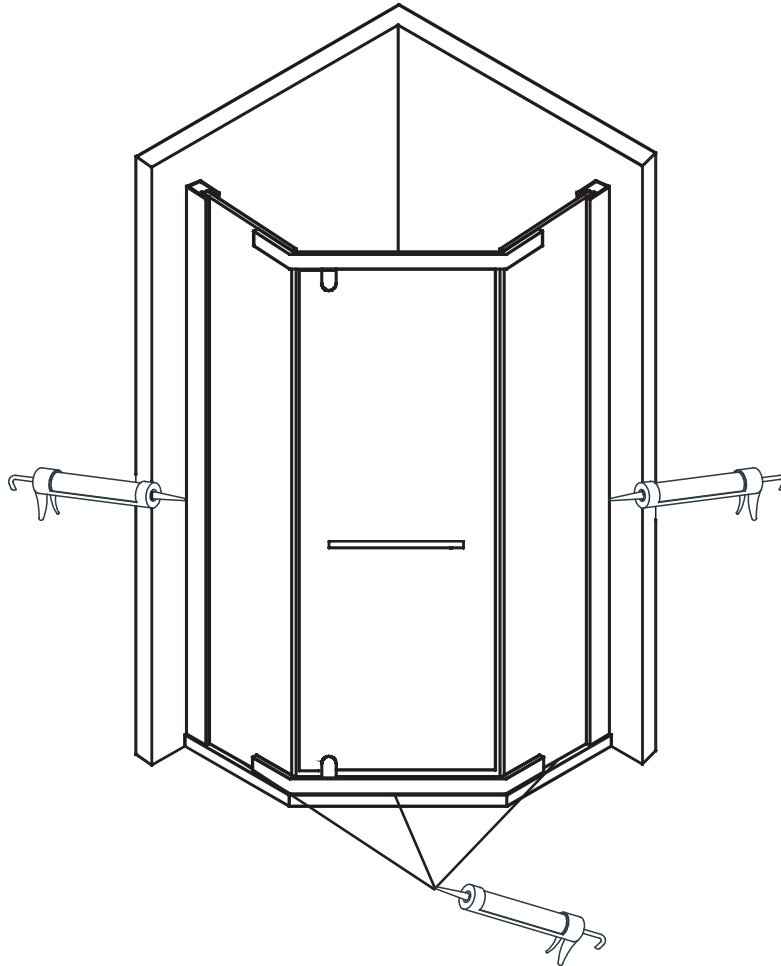
## Step 8

8. As shown in the picture, install the Hinge Side Vinyl Seal (5) on the glass of the side near the pivot, and install the magnetic strip (6) on the other side of the glass. Install the bottom seal strip (4) on the bottom of the swing glass. If the upper and lower part of the magnetic strip cannot be aligned at the same time, adjust two pivots as shown in the picture to align the magnetic strip at the same time.



## Step 9

After the installation, adhesive sealant on the outside of the product as shown, and it can only be used after 24 hours adhesive .



The sealant should be applied to the outside edge.



Allow 24 hours for silicone to **dry** before use.