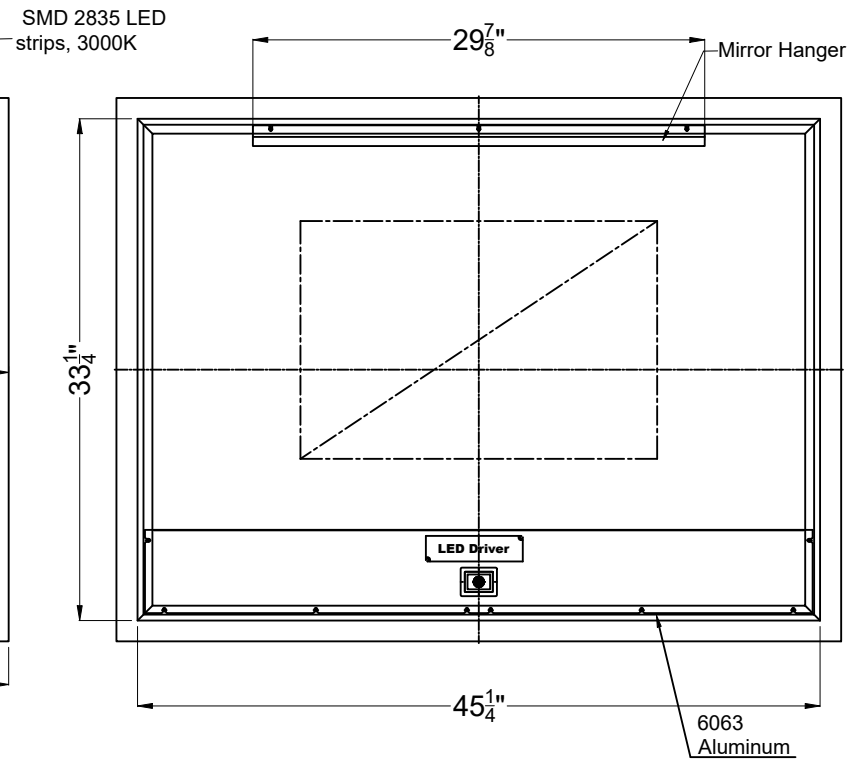
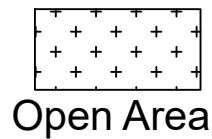


Side

Front View



Back View



Mark	Count	File Number	Signature	Date
Designer		ZWQ	Standard	
version		A.0	Judgement	
Approve				
Technology			Date	2020.06.15

Drawings

EMI. 18A. LED. A4836

Draw no mark	Weight	Number	Ratio
Total 1 page		1 page	