

# ANZZI™

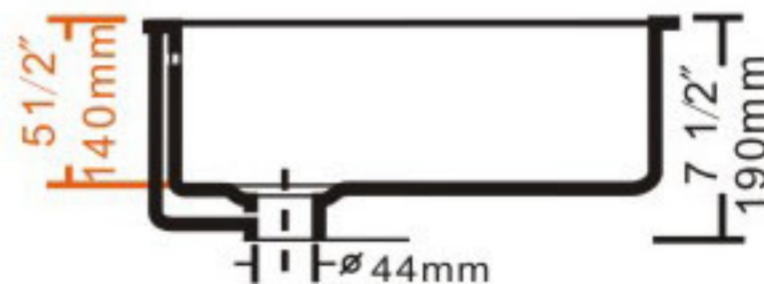
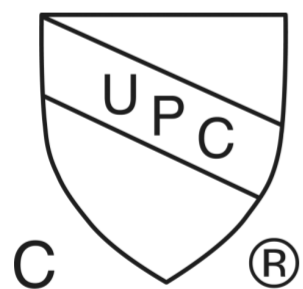
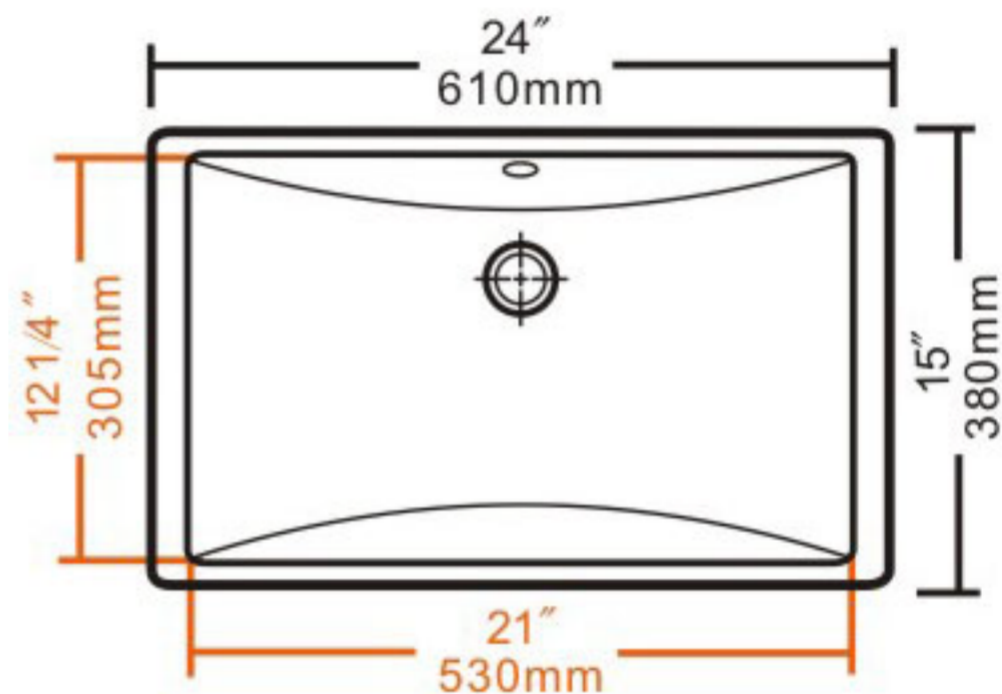
## LS-AZ105

LANMIA Series

UNDERMOUNT

Overflow Included

White Vitreous China



For more information visit [www.ANZZI.com](http://www.ANZZI.com) or call us at 1-844-44-ANZZI.