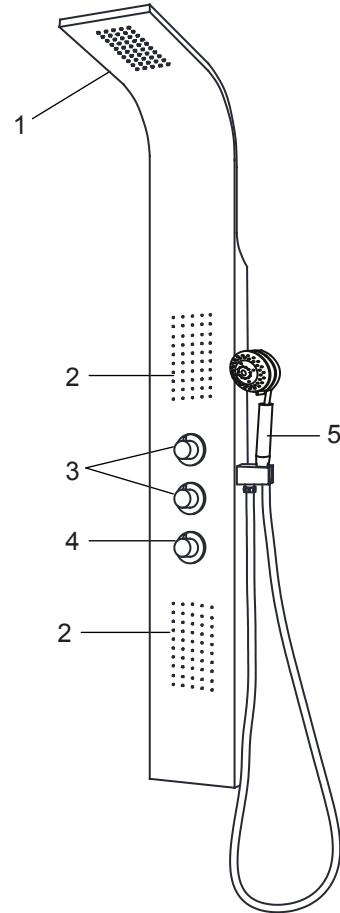
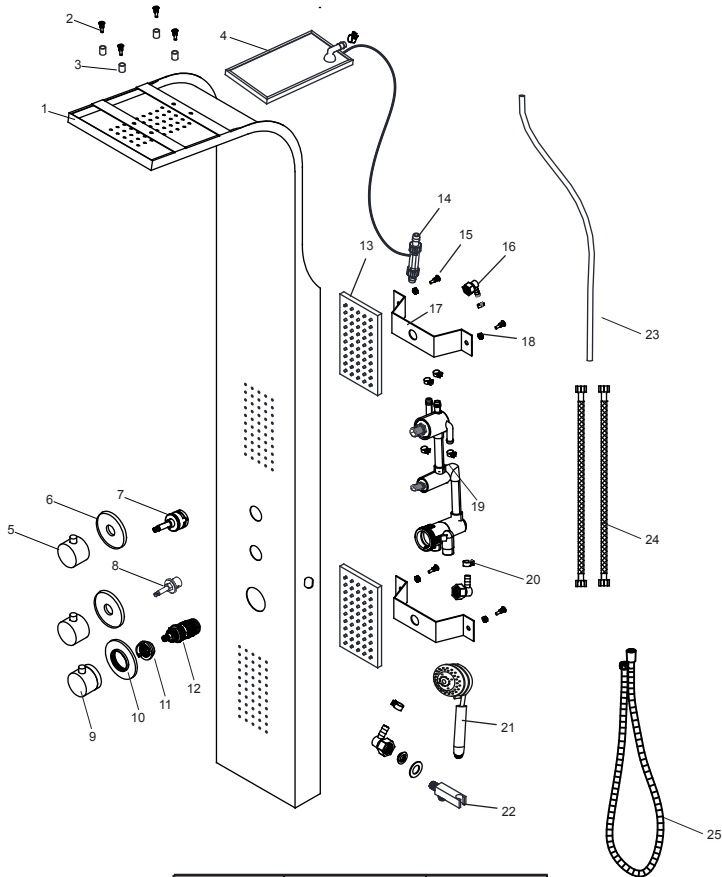


PARTS LIST



- 1. Shower Head
- 2. Body Jets
- 3. Mixer
- 4. Diverter
- 5. Hand Shower

Component no.	Component	Material
1	body	s/s
2	screw 1	s/s
3	screw pad	rubber
4	head shower	s/s
5	knob	zinc
6	knob plate cover	brass
7	cartridge	ABS
8	cartridge	brass
9	handle	zinc
10	handle plate cover	zinc
11	cap	ABS
12	thermostatic cartridge	ABS
13	body jets	brass
14	turbo	ABS
15	screw 2	s/s
16	one way joint	ABS
17	fasten bracket	s/s
18	nut 2	s/s
19	thermostatic faucet	brass
20	clip	s/s
21	hand shower	ABS
22	hand shower holder	ABS
23	pvc hose	PVC
24	braided hose	s/s
25	flexible hose	s/s



ASME A112.18.1/CSA B125.1

PERFECTION IS OUR TRADITION™