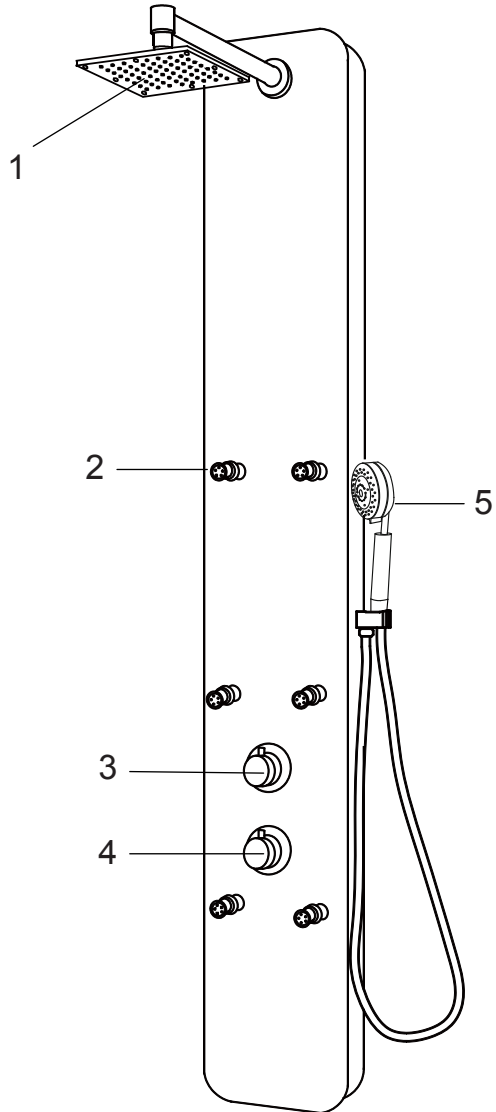
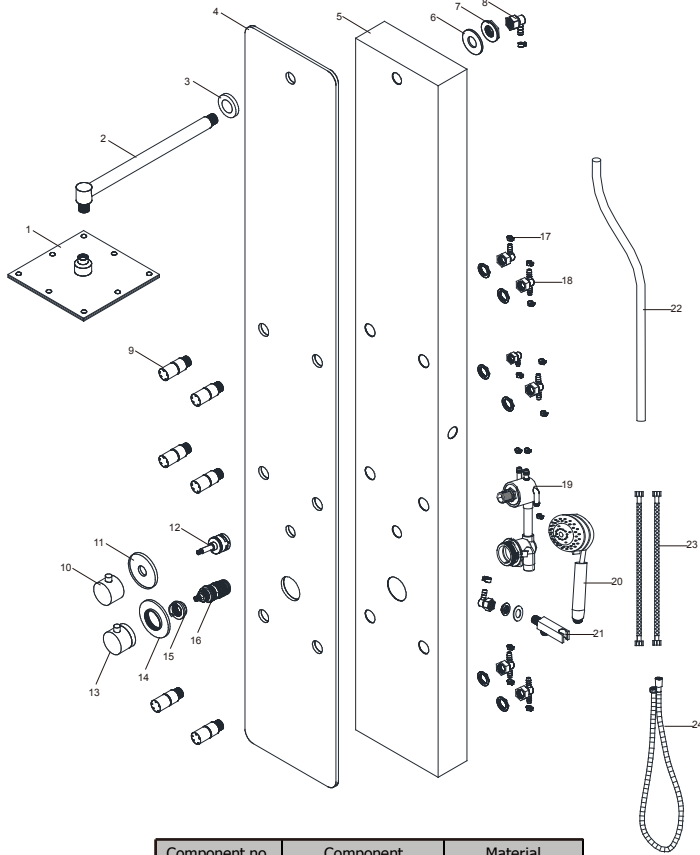


# PARTS LIST



Component no.	Component	Material
1	head shower	s/s
2	arm bar	brass
3	flange	brass
4	front body	glass
5	back side body	Aluminum
6	washer 1	rubber
7	nut 1	brass
8	one way joint	ABS
9	body jets	brass
10	knob	zinc
11	knob plate cover	brass
12	cartridge	ABS
13	handle	zinc
14	handle plate cover	brass
15	cap	ABS
16	thermostatic cartridge	ABS
17	clip	s/s
18	two way joint	ABS
19	thermostatic faucet	brass
20	hand shower	ABS
21	hand shower holder	ABS
22	pvc hose	PVC
23	braided hose	s/s
24	flexible hose	s/s

1. Shower Head
2. Body Jets
3. Diverter
4. Mixer
5. Hand Shower



ASME A112.18.1/CSAB125.1

PERFECTION IS OUR TRADITION™