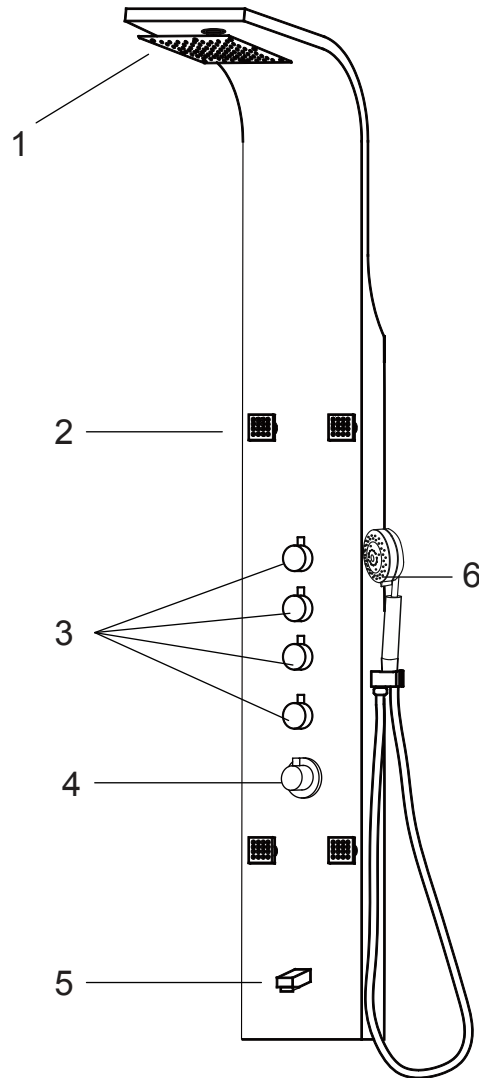
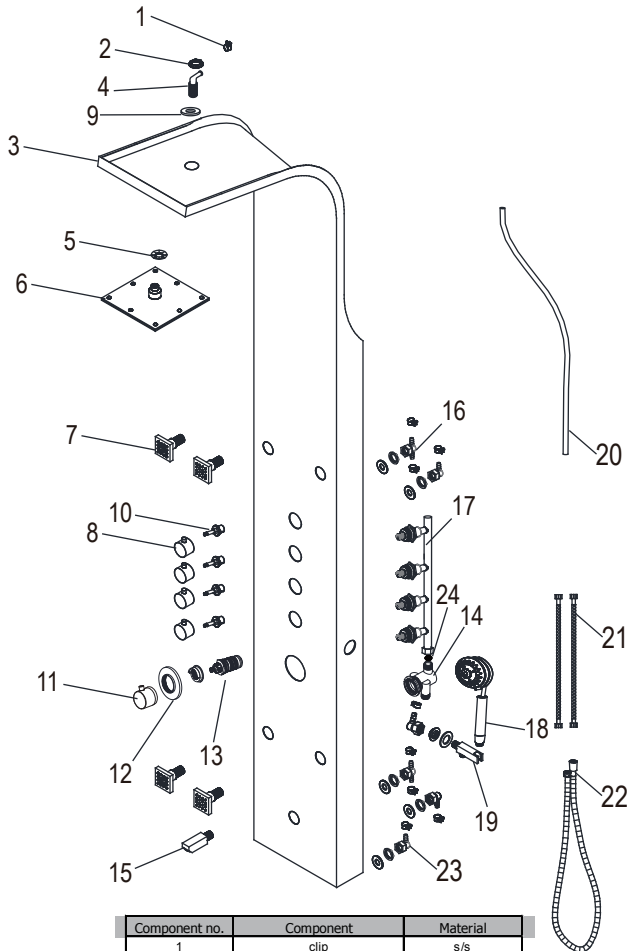


# PARTS LIST



Component no.	Component	Material
1	clip	s/s
2	nut 1	brass
3	body	s/s
4	connector	brass
5	flange	ABS
6	head shower	s/s
7	body jets	brass
8	knob	zinc
9	wash 1	rubber
10	function cartridge	brass
11	handle	zinc
12	handle plate cover	brass
13	thermostatic cartridge	ABS
14	faucet body 1	brass
15	spout	brass
16	two way joint	ABS
17	faucet body 2	brass
18	hand shower	ABS
19	hand shower holder	ABS
20	pvc hose	PVC
21	braided hose	s/s
22	flexible hose	s/s
23	one way joint	ABS
24	flow restrictor	ABS

- 1. Shower Head
- 2. Body Jets
- 3. Diverter
- 4. Mixer
- 5. Spout
- 6. Hand Shower



ASME A112.18.1/CSA B125.1

PERFECTION IS OUR TRADITION™