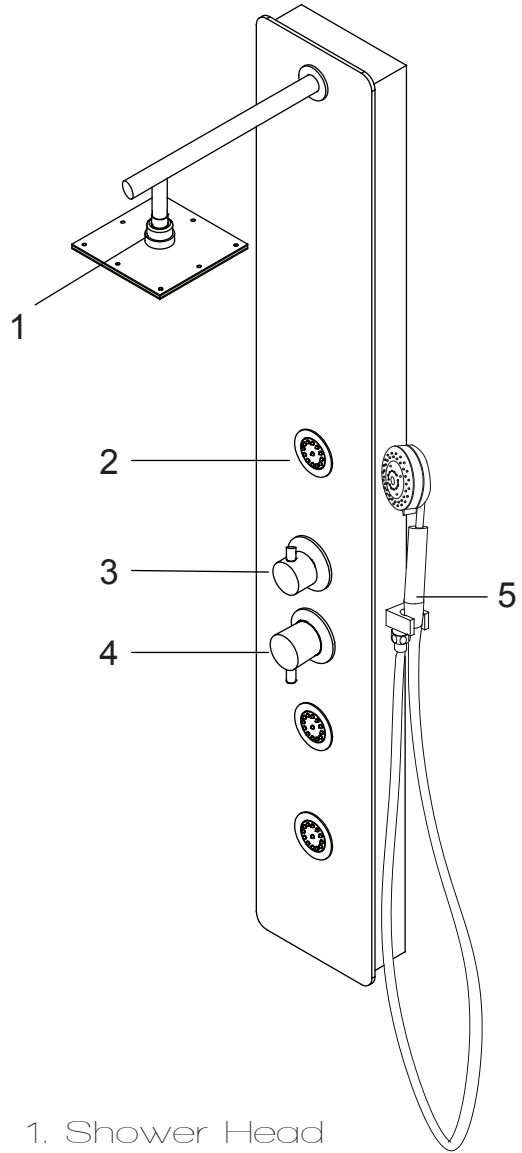
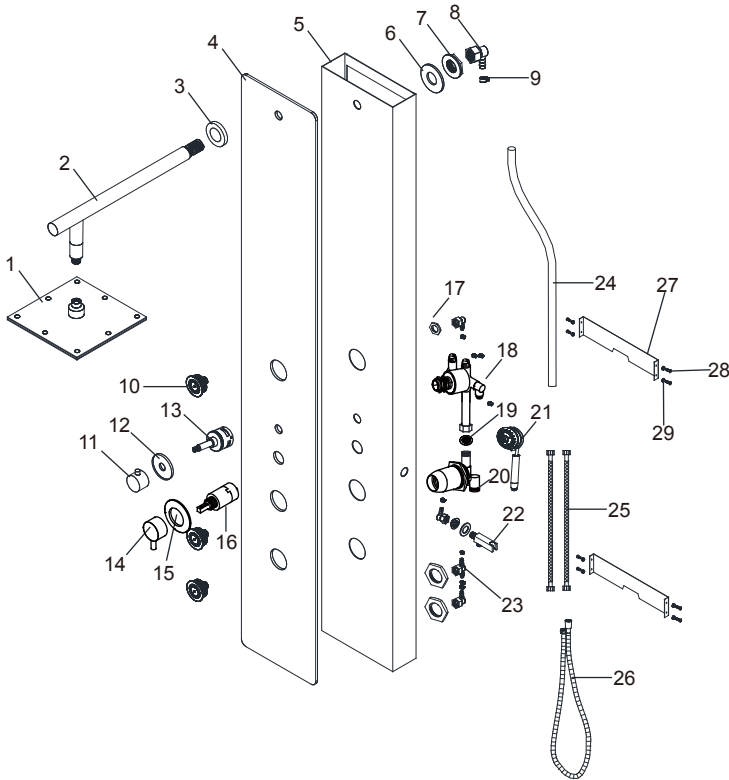


# PARTS LIST



- 1. Shower Head
- 2. Body Jets
- 3. Diverter
- 4. Mixer
- 5. Hand Shower

Component no.	Component	Material
1	head shower	s/s
2	arm bar	brass
3	flange	brass
4	front body	glass
5	backside body	PVC
6	washer 1	rubber
7	arm bar nut	brass
8	one way joint	ABS
9	clip	s/s
10	body jets	brass
11	knob	zinc
12	knob plate cover	brass
13	cartridge	ABS
14	handle	zinc
15	handle plate cover	brass
16	thermostatic cartridge	ABS
17	nut 2	brass
18	diverter	brass
19	water restrictor	ABS
20	water pressure balance faucet	brass
21	hand shower	ABS
22	hand shower holder	ABS
23	two way joint	ABS
24	pvc hose	PVC
25	braided hose	s/s
26	flexible hose	s/s
27	hang bar	s/s
28	screw	s/s
29	nut	s/s



ASME A112.18.1/CSA B125.1

PERFECTION IS OUR TRADITION™